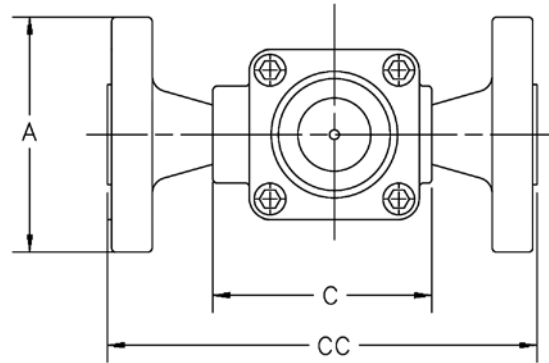
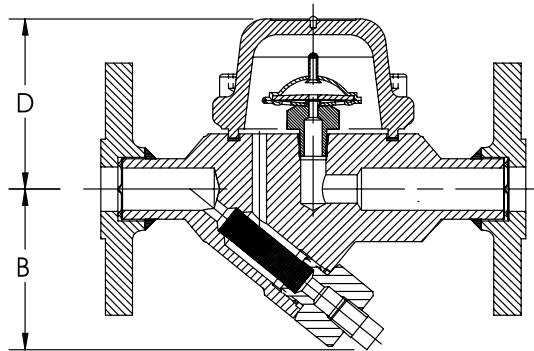


TC-300 Series Thermostatic Capsule Steam Trap

Carbon Steel

For Pressures to 17 bar ... Cold Water Start-up Capacities to 454 Kg/h



Description

The TC-300 is sized precisely to handle the extremely low condensate load found in most instrument steam tracer lines. The TC-300 traps are designed to last longer than other oversized, all-purpose thermostatic and thermodynamic steam traps.

This steam trap adjusts automatically to flow rates, including large start-up loads, at all pressures within its range.

How to Order

Specify: Model Number, Size and type of pipe connection. When flanges are required, specify type of flange in detail.

Table ST-169-1. TC-300 Series Capacity

Differential Pressure*	Cold Water Start-Up 21°C	Hot Water Start-Up 100°C	Operating Condensate 10°C Below Saturation
bar	kg/h	kg/h	kg/h**
0,35	54	45	4,5
0,7	68	77	5,9
1,4	145	113	8,2
2,0	177	136	9,1
3,0	191	159	10,9
3,5	222	181	11,8
5,0	259	218	13,6
7,0	295	263	15,9
10,5	318	318	18,1
14,0	408	363	20,9
17,0	454	431	22,7

* Capacities based on differential pressure with no back pressure.

** Capacities will vary with the degree of subcooling. When greater capacities are required, the trap will automatically adjust to the load, up to the maximum (cold water) capacity shown, by increasing the amount of subcooling.

Table ST-169-2. TC-300 Trap (dimensions in mm)

Pipe Connections	15 – 20 – 25
"B" Height (Screwed & SW)	117
"A" Height (flanged PN40*)	117
"C" Face-to-Face (Screwed & SW)	90 – 90 – N/A
"CC" Face-to-Face (Flanged PN40*)	150 – 150 – 160
"D" CL to Top	60
Weight in kg (Screwed & SW)	1,9
Weight in kg (Flanged PN40)	4,3 – 4,5 – 4,7

Table ST-169-3. TC-300 Traps

Model	TC-300
Connections	Screwed BSPT and NPT Socketwelded Flanged DIN and ANSI
Material	
Cap and Body	ASTM-A-105
Capsule	All Stainless Steel – 304
Maximum Operating Conditions	
Maximum allowable pressure (vessel design)†	40 bar @ 350 °C
Maximum operating pressure	17 bar @ 204 °C

† May be derated depending on flange rating and type.

All dimensions and weights are approximate. Use certified print for exact dimensions. Design and materials are subject to change without notice.