



STEAMIX® Steam & Water Hose Stations & Mixing Units

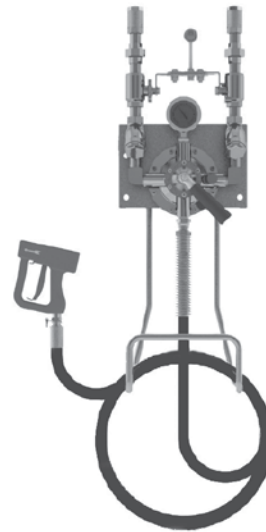
Model 2033PE – Premium

STEAMIX® Model 2033PE Steam/Water Mixing Valve of brass/stainless steel construction.

STEAMIX® Model 2033PE is supplied as standard with integral inlet supply risers comprising 3/4" Y-type strainers and 3/4" ball valves cross-linked by a stainless steel bridge piece and lever for simultaneous on/off control of both inlet supplies. The unit is supplied fully assembled, pressure-tested and installed on a stainless steel hose rack. Stainless Steel dual scale top mount. Thermometer and Inlet Check Valves Included.



Locking Set



STEAMIX® Model 2033PE includes 10 meter of "safety blue" washdown hose (can be supplied with 15 or 20 m), low-heat-transfer polymer spray nozzle with trigger guard, swivel adapter, and a stainless steel nozzle hook.

Safety Features

- **STEAMIX® 2033PE will not pass live steam.** In the event of either a complete failure of the inlet cold-water supply or a reduction in cold water pressure to below 1,4 bar, STEAMIX will respond with a shutdown of outlet flow.
- If there is a structural failure of the primary operating component (diaphragm), STEAMIX will "fail safe" to cold water.
- To prevent over-temperature selection by the user and the potential for overheated water and flash steam presentation common with other types of hose stations, STEAMIX is supplied with a single-temperature locking set.

Technical Specifications

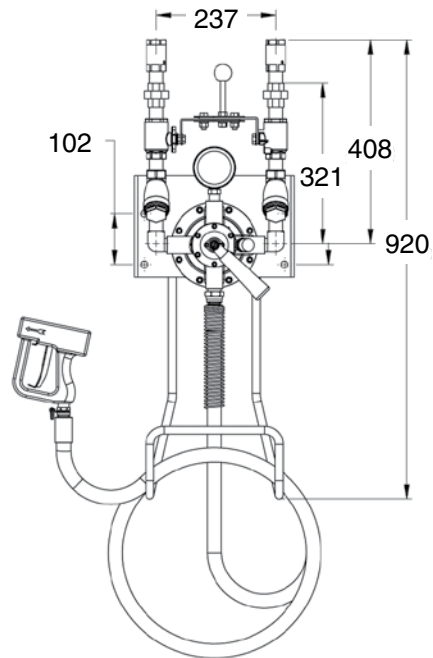
- 3/4" (20 mm) BSPT inlets and 3/4" (20 mm) NPT outlets
- Brass/stainless steel construction
- Operating pressures:
 - Maximum: 10 bar
 - Minimum: 1,4 bar†
- Maximum pressure loss ration: 10:1**
- Inlet check valves included
- Shipping weight: 31 kg with 10 m hose
36 kg with 15 m hose

† **IMPORTANT NOTE: Lower steam pressures significantly reduce outlet flow rates.**

** Ratio of inlet pressures accounting for restrictions on valve outlet (minus back pressure).

Flow Rates

The capacity charts indicate expected flow rates at constant steam and water pressure and with an unrestricted open outlet.



A) 31°C Temperature Rise						
Water	Steam	1,4	3	5	7	bar
1,5 bar		26,1	38,6	38,6	38,6	l/min
3 bar		26,1	49,9	49,9	49,9	l/min
4 bar		26,1	52,2	59,4	59,4	l/min
B) 56°C Temperature Rise						
Water	Steam	1,4	3	5	7	bar
1,5 bar		13,6	26,1	31,4	32,1	l/min
3 bar		13,6	26,1	35,5	37,4	l/min
4 bar		13,6	26,1	35,5	39,7	l/min
C) 75°C Temperature Rise						
Water	Steam	1,4	3	5	7	bar
1,5 bar		9,4	18,9	24,9	37,2	l/min
3 bar		9,4	18,9	27,2	30,2	l/min
4 bar		9,4	18,9	27,2	30,2	l/min

All dimensions and weights are approximate. Use certified print for exact dimensions. Design and materials are subject to change without notice.