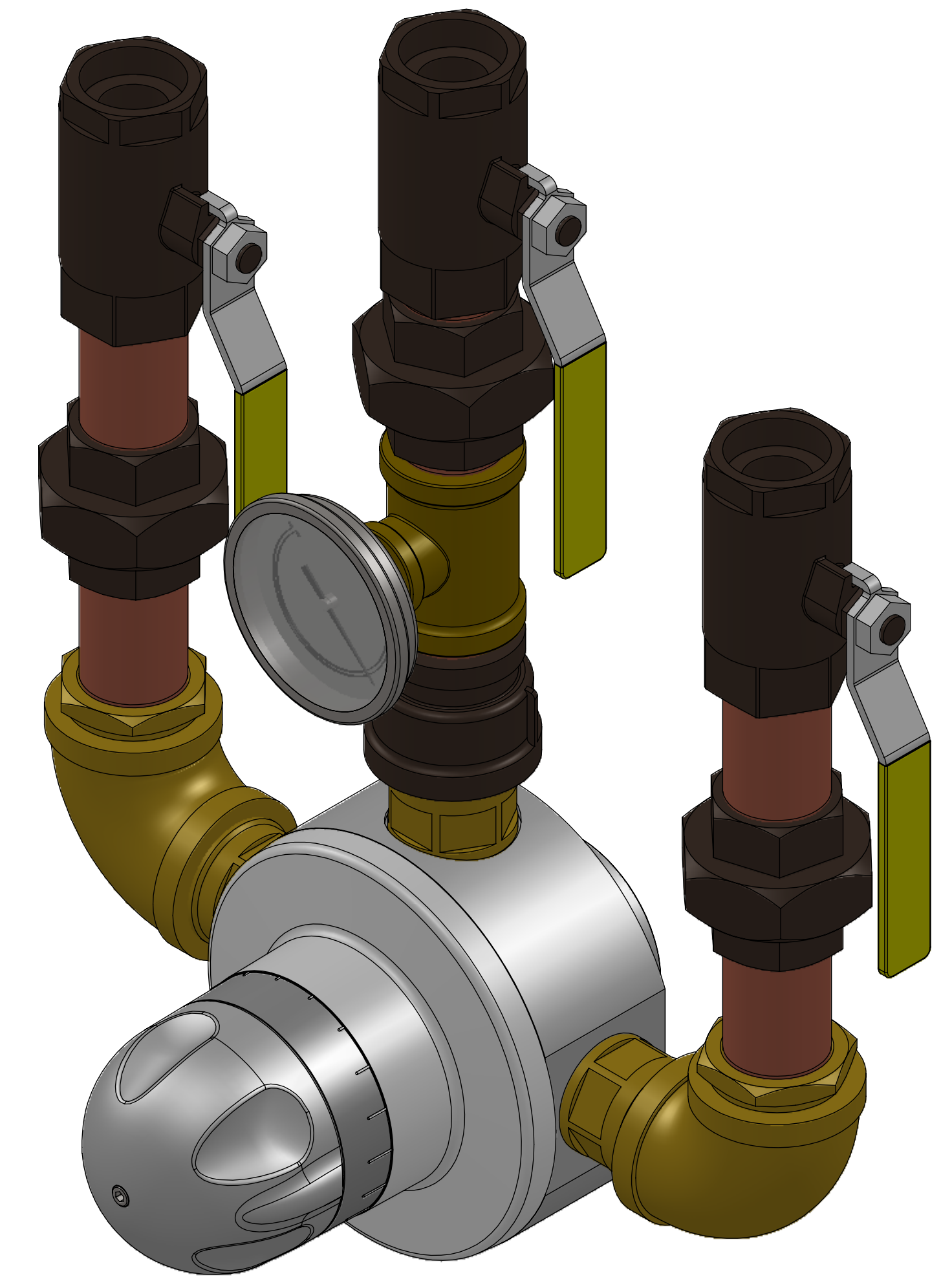
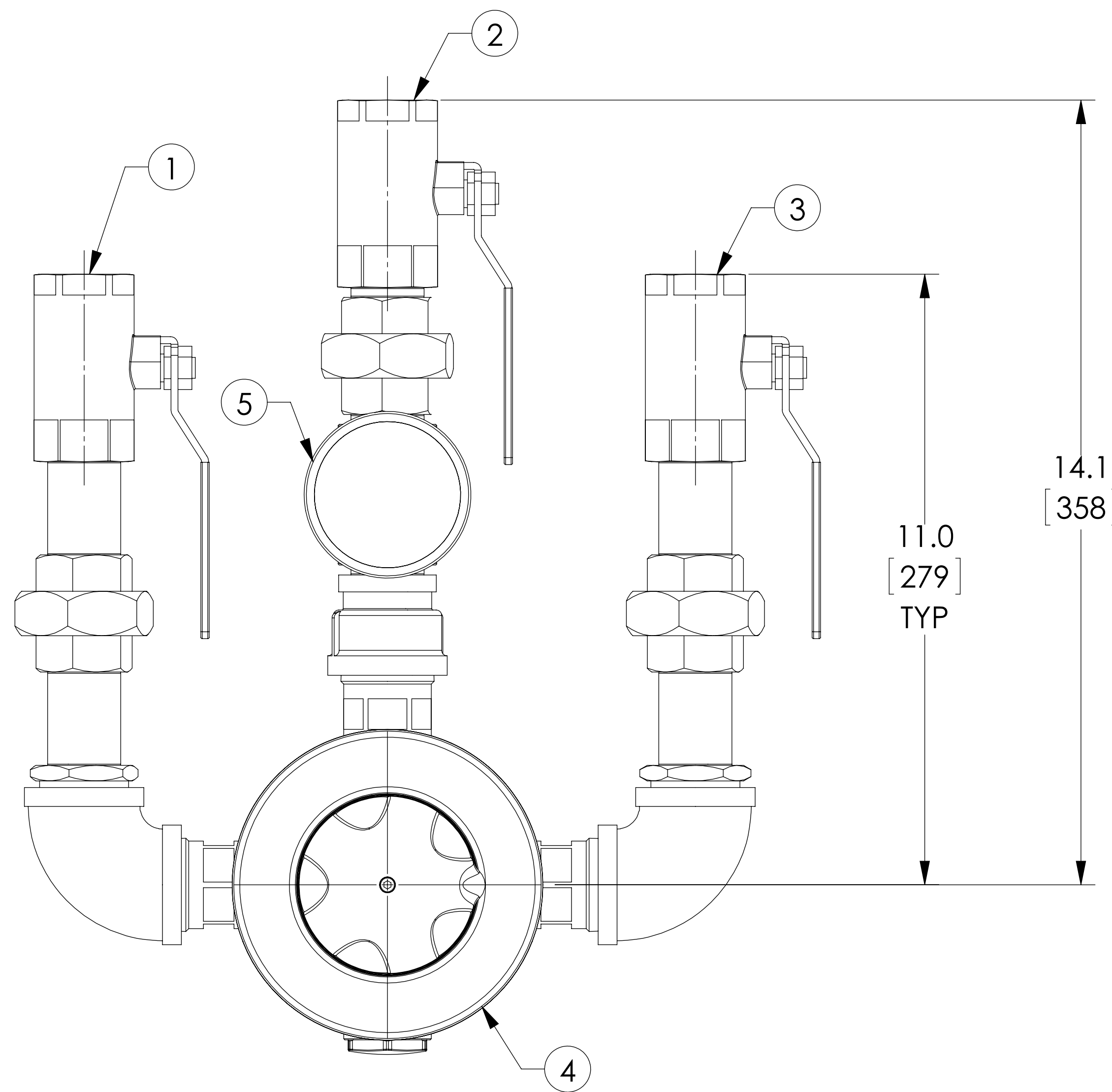
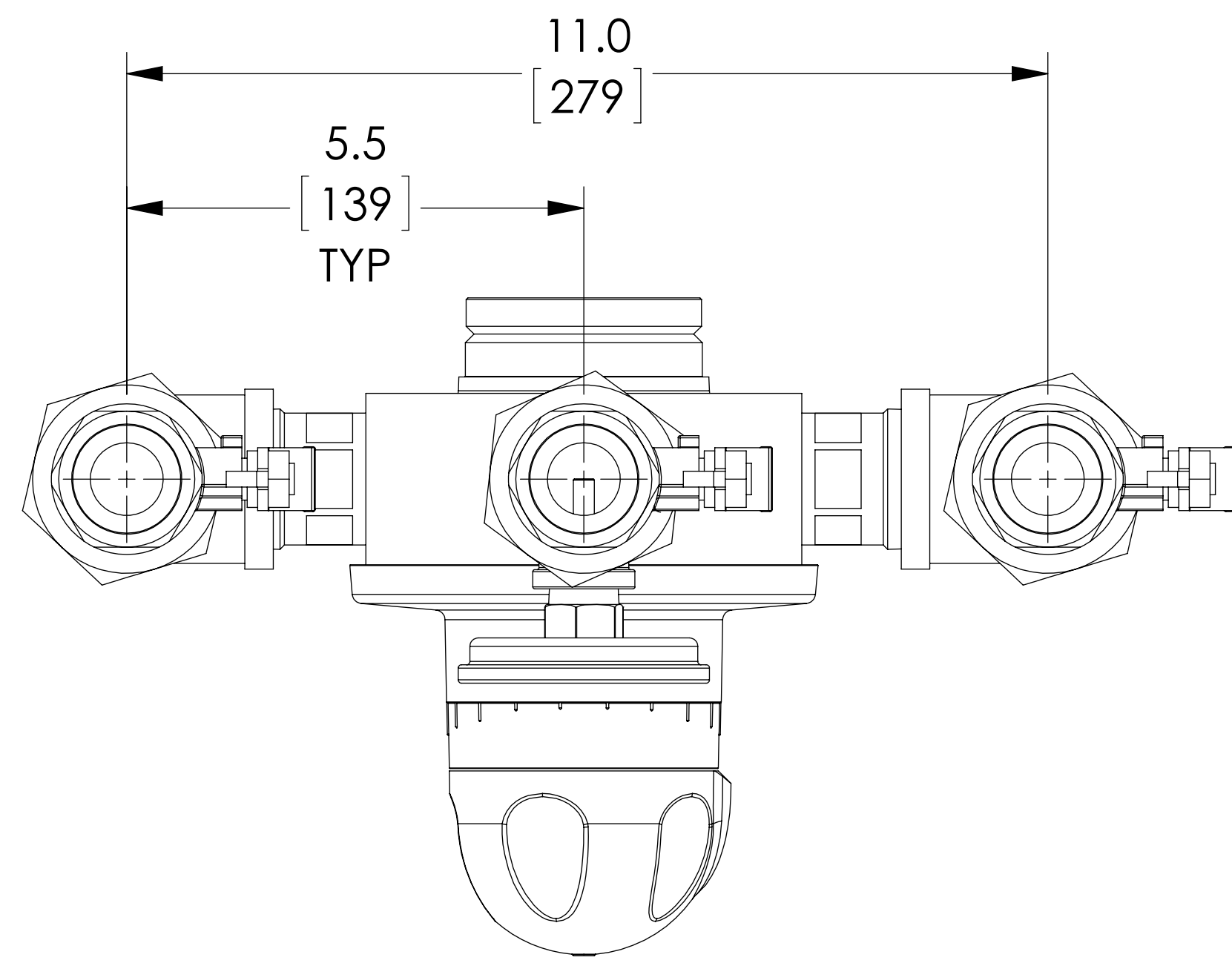


APPROVAL

BY: _____ DATE: _____

- APPROVED, PROCEED WITH FABRICATION
- APPROVED AS NOTED, PROCEED WITH FABRICATION IN ACCORDANCE WITH COMMENTS
- DISAPPROVED, DO NOT FABRICATE



ITEM	DESCRIPTION	CONNECTION
1	HOT WATER INLET	1" NPT
2	MIXED WATER OUTLET	1" NPT
3	COLD WATER INLET	1" NPT
4	425 VALVE	1-1/4" NPT
5	THERMOMETER	

NOTE:

1. ALL DIMENSIONS +/-0.3[8] UNLESS OTHERWISE SHOWN.
2. PACKAGE INCLUDES ALL REQUIRED INLET CHECK VALVES AND STRAINERS ON DOMESTIC SIDE.

DO NOT SCALE DRAWING			
TOLERANCES UNLESS OTHERWISE SPECIFIED			
DIMENSIONING ENGLISH [mm]			
FRACTIONAL ± 1/64			
ANGULAR: ± 2			
DECIMAL	.XXX ± .005	.XX ± .015	.X ± .3
	.XXX ± .005	.XX ± .010	.X ± .3
	.XX ± .015	.X ± .3	
	.X ± .3		

		NAME	DATE
		DURAI	04/30/2014
DRAWN			
RELEASED			

ARMSTRONG INTERNATIONAL Copyright © 2010 ARMSTRONG INTERNATIONAL, INC.	
425D LF	
MATERIAL	SHEET 1 OF 2
CN40756	REV A DWG. D61052