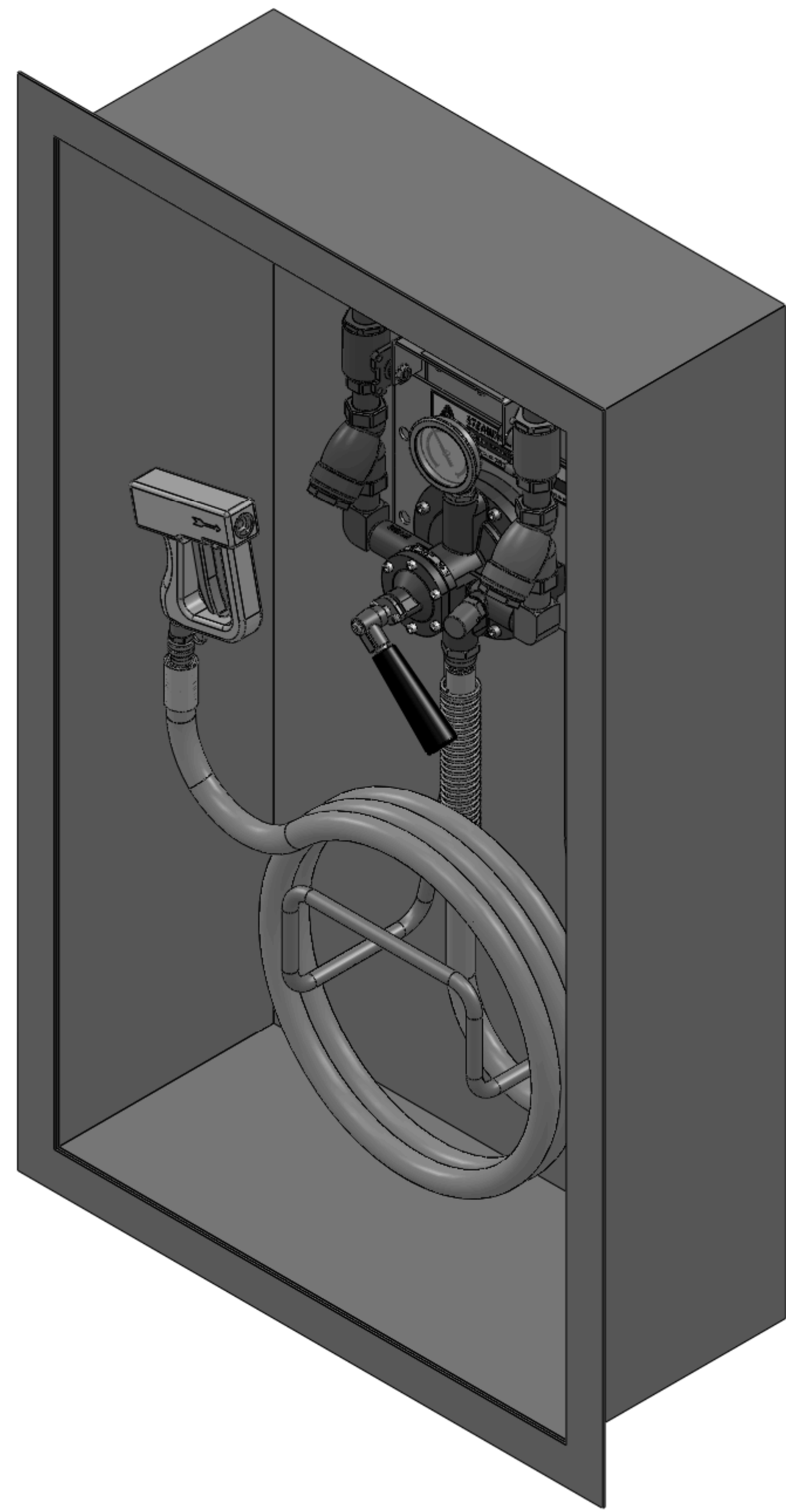
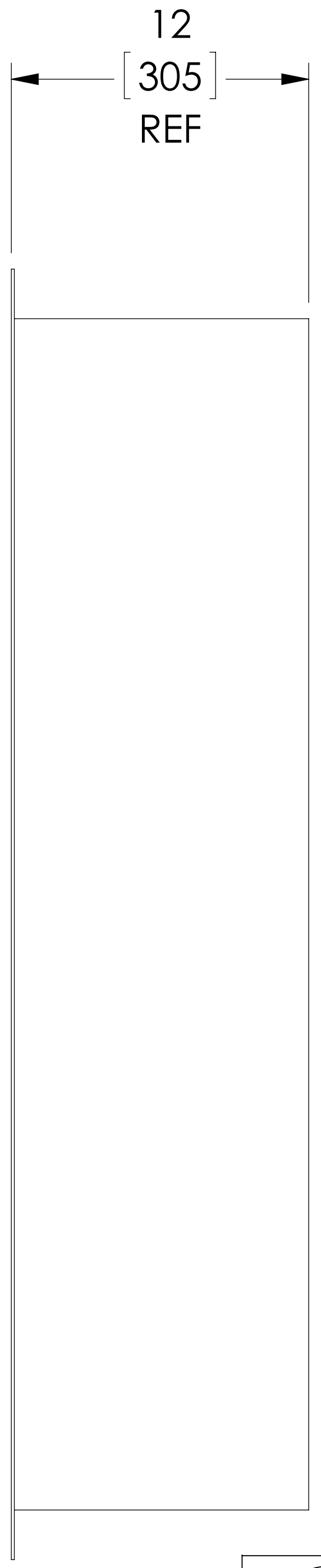
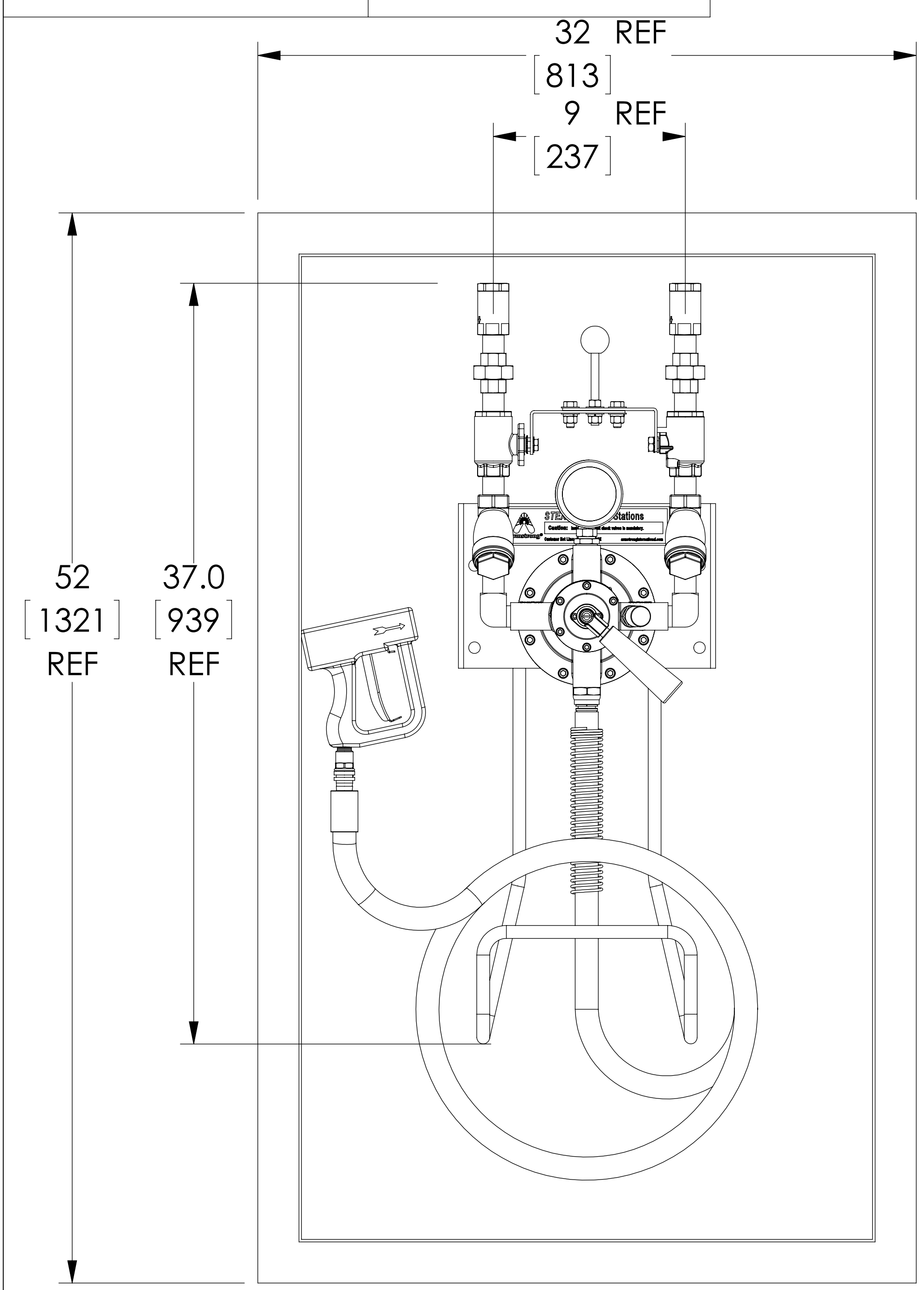


ITEM	MATERIAL
MIXING VALVE BODY	BRASS/STAINLESS STEEL
COMPONENTS	BRASS
BACKPLATE / RACK	STAINLESS STEEL
HOSE	YELLOW (190F [88C])
NOZZLE	STAINLESS STEEL
LOCATION	CONNECTION
STEAM IN CONNECTION	3/4" NPT
WATER IN CONNECTION	3/4" NPT
OUTLET	3/4" NPT



NOTE:
CABINET SHOWN WITH DOORS OFF FOR VIEWING CLARITY
REFERENCE ARMSTRONG DRAWING D644697

DO NOT SCALE DRAWING	
TOLERANCES UNLESS OTHERWISE SPECIFIED	
DIMENSIONING ENGLISH [mm]	
FRACTIONAL	± 1/64
ANGULAR:	± 2
DECIMAL	.XXXX ± .0005
	.XXX ± .005
	.XX ± .015
	.X ± .3

NAME	DATE
CFG	11/6/2015
RELEASED	

ARMSTRONG INTERNATIONAL Copyright © 2010 ARMSTRONG INTERNATIONAL, INC.	
2033P 3/4 NPT BRS PREMIUM W/HOSE RACK YEL HOSE 25 FT TRIGGERGUARD SS FMCD BRZCV	
C-204194	
MATERIAL	SHEET 1 OF 1
REV	DWG. SALES