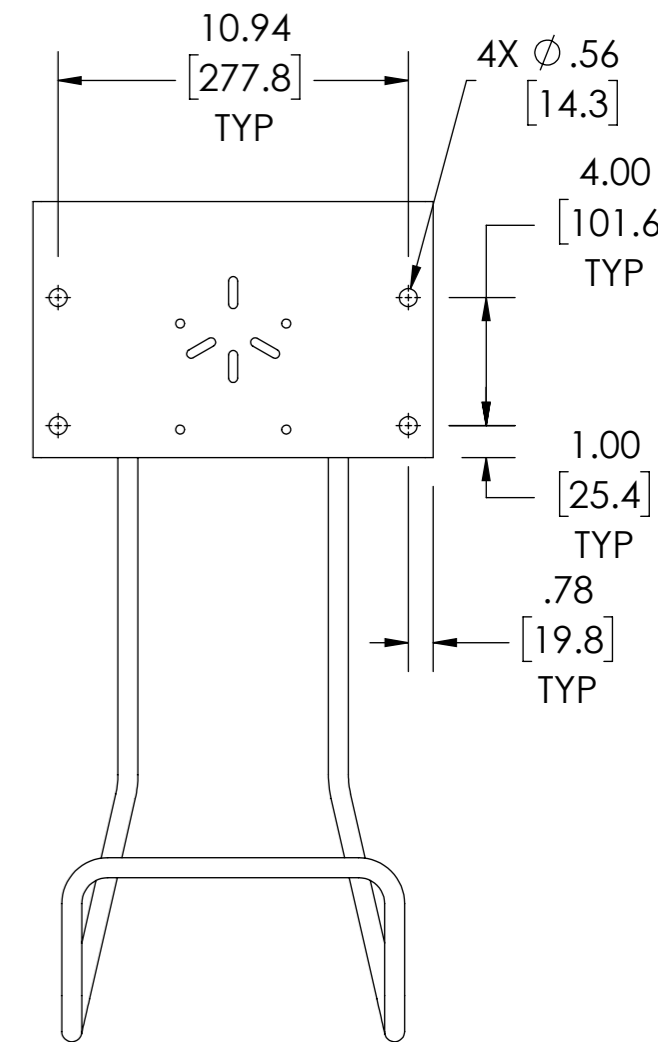
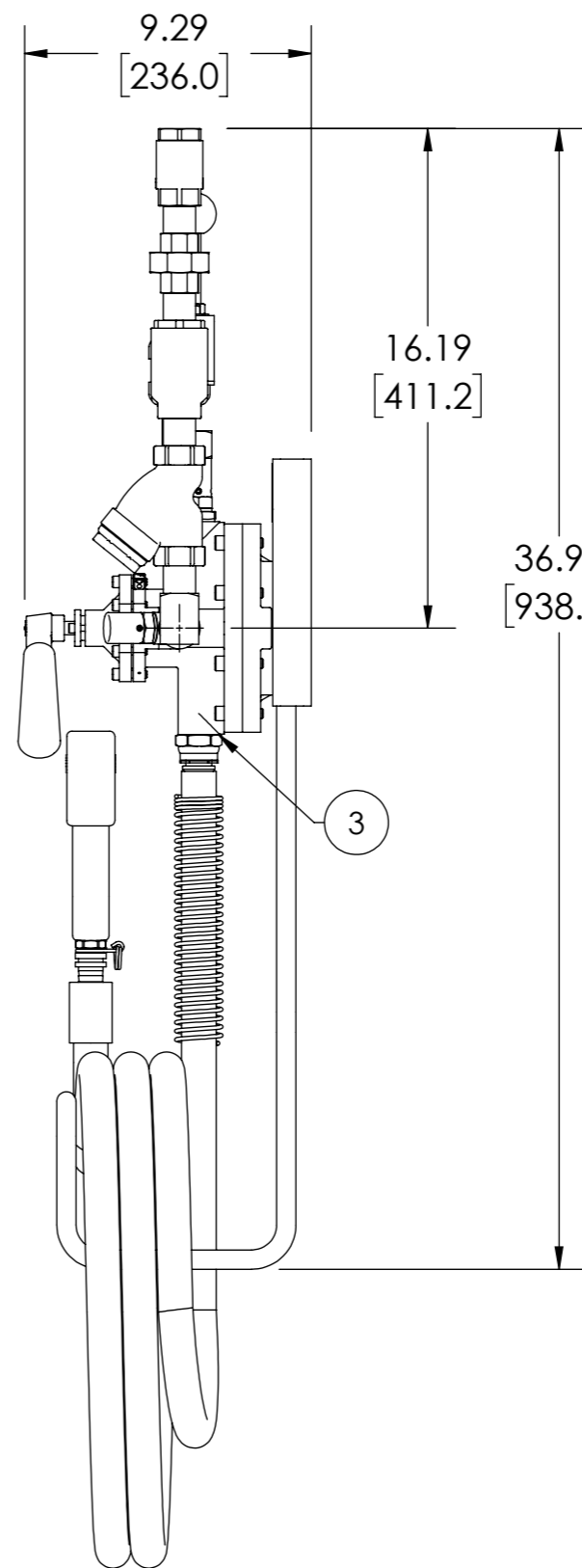
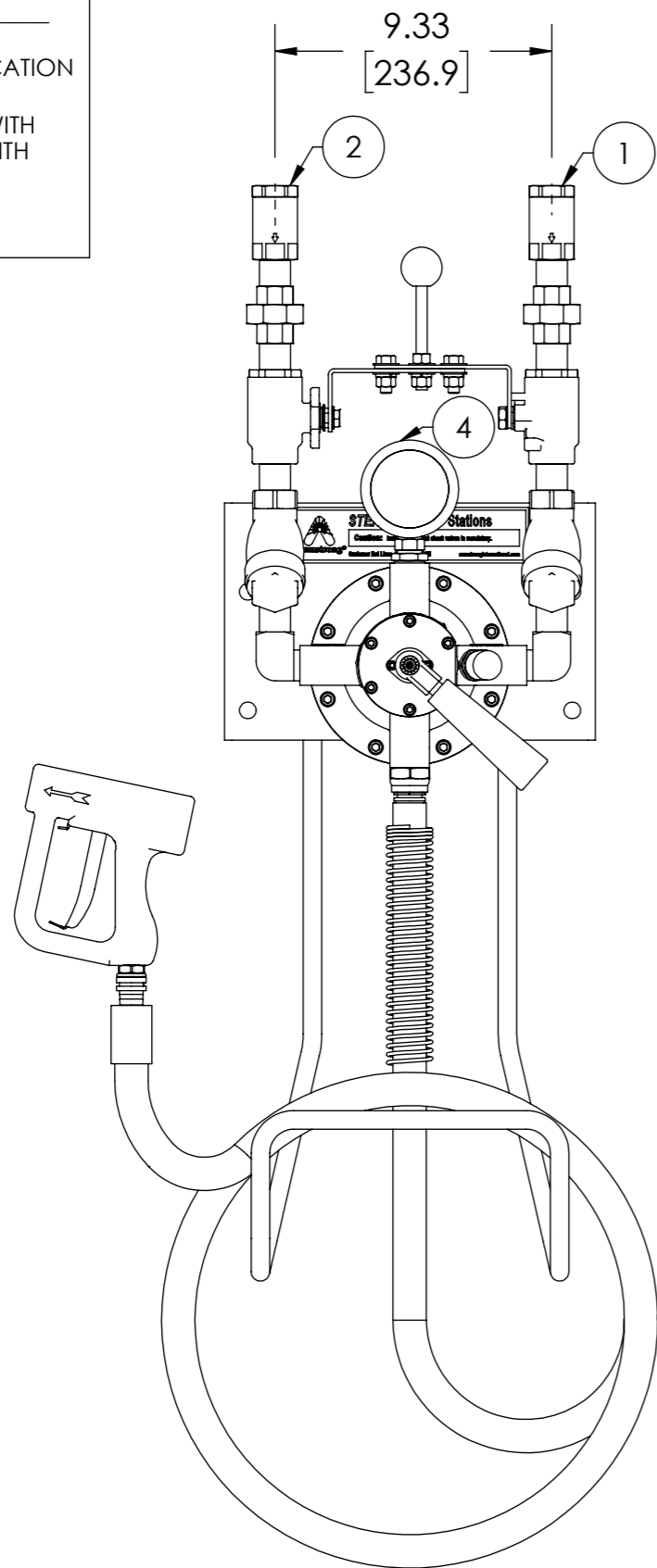


APPROVAL

BY: _____ DATE: _____


- APPROVED, PROCEED WITH FABRICATION
- APPROVED AS NOTED, PROCEED WITH FABRICATION IN ACCORDANCE WITH COMMENTS
- DISAPPROVED, DO NOT FABRICATE



HOSE RACK
HOLE LOCATIONS

ITEM	DESCRIPTION	CONNECTION
1	WATER INLET	3/4" NPT
2	STEAM INLET	3/4" NPT
3	HOT WATER OUTLET	3/4" NPT
4	THERMOMETER	1/2" NPT
ITEM	MATERIAL	
MIXING VALVE BODY	BRASS	
COMPONENTS	BRASS	
BACKPLATE/RACK	STAINLESS STEEL	
HOSE	YELLOW(212F[100C])	
NOZZLE	STAINLESS STEEL	

NOTE(S):
1. REFERENCE ARMSTRONG DRAWING D16793

 Armstrong ®	
DRAWN	CFG
RELEASED	

NAME	DATE
CFG	9/10/2019

ARMSTRONG INTERNATIONAL Copyright © 2010 ARMSTRONG INTERNATIONAL, INC.	
2033P 3/4 NPT BRS PREMIUM W/HOSE RACK YEL HOSE 25 FT TRIGGERGUARD SS BRZCV	
CONFIG # (C-398788)	
MATERIAL	SHEET 1 OF 1
CWF60207	SALES

DO NOT SCALE DRAWING TOLERANCES UNLESS OTHERWISE SPECIFIED DIMENSIONING ENGLISH [mm]		
FRACTIONAL ± 1/64 ANGULAR: ± 2		
DECIMAL	.XXXX ± .0005	IN. MM
	.XXX ± .005	.010
	.XX ± .015	.10
	.X	.3