

Armstrong Universal Stainless Steel Connector - IS-4



With the IS-4 universal connector, you can install a 4-bolt compatible steam trap to fit most piping configurations and applications. The IS-4 combines the integrity of an all welded installation with the versatility of a quick change steam trap replacement.

The IS-4 works with Armstrong Intelligent Monitoring (AIM™) to bring intelligence to wireless technology by applying smart devices to monitor critical plant applications in real time.

- Class 900 design
- All stainless steel construction
- Integral strainer
- Exceptional corrosion resistance
- Recessed gasket surface
- Three-year guarantee against defects in materials and workmanship (connector only)

Maximum Operating Conditions

Maximum allowable pressure (connector design):

- IS-4 85,8 bar @ 482°C
- IS-4BD 75,8 bar @ 426°C

Materials and Weights

- Body ASTM A351 Gr. CF8M
- Screen Stainless steel
- Screen retainer ASTM A351 Gr. CF8M
- Retainer bolts ASTM A193 Gr. B16

- Weights:
- IS-4 2,15 kg
 - IS-4BD 4,5 kg

4-Bolt Connector Steam Traps Available

- SH4000 Series
- IB4022
- IB4011

Specification

All stainless steel in-line universal connector with integral strainer able to accept steam traps compatible with the 4-bolt technology. Up to Class 900 service.



IS-4

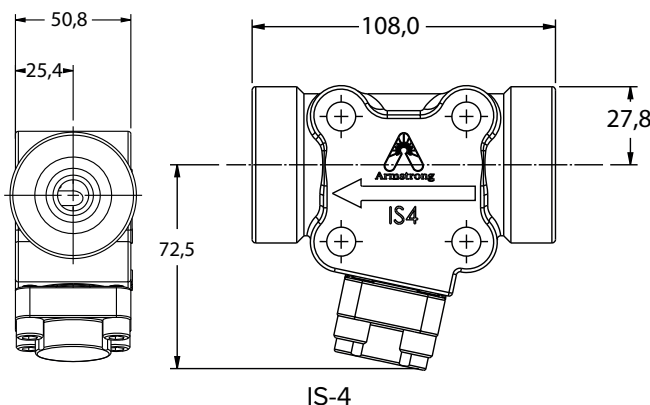
Steam Trapping and Steam Tracing Equipment

How to order

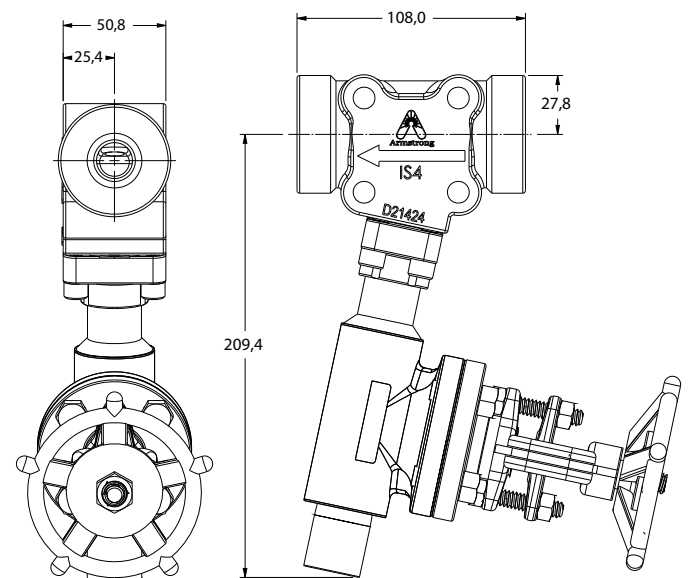
IS4-BD	3FL	900	DBB	DBB
Model	Connection Size/Type	Flanges	Inlet Configuration	Outlet Configuration
IS-4 or IS-4BD	3/4" NPT 3/4" Socketweld 1" NPT 1" Socketweld 1" Flanged	Class 600 Class 900	None SB =Single Block DBB =Double Block & Bleed	None SB =Single Block DBB =Double Block & Bleed

Notes:

1. Right to left flow only available.
2. IS-4BD includes Class 800 forged steel gate valve for blowdown service.
3. Connection Size/Type based on the system condensate supply and return requirements.
4. All connections for SB or DBB will be socketweld.
5. Flanges available in Class 600 and 900.
6. For Block & Bleed dimensions: Consult Factory



IS-4



IS-4BD