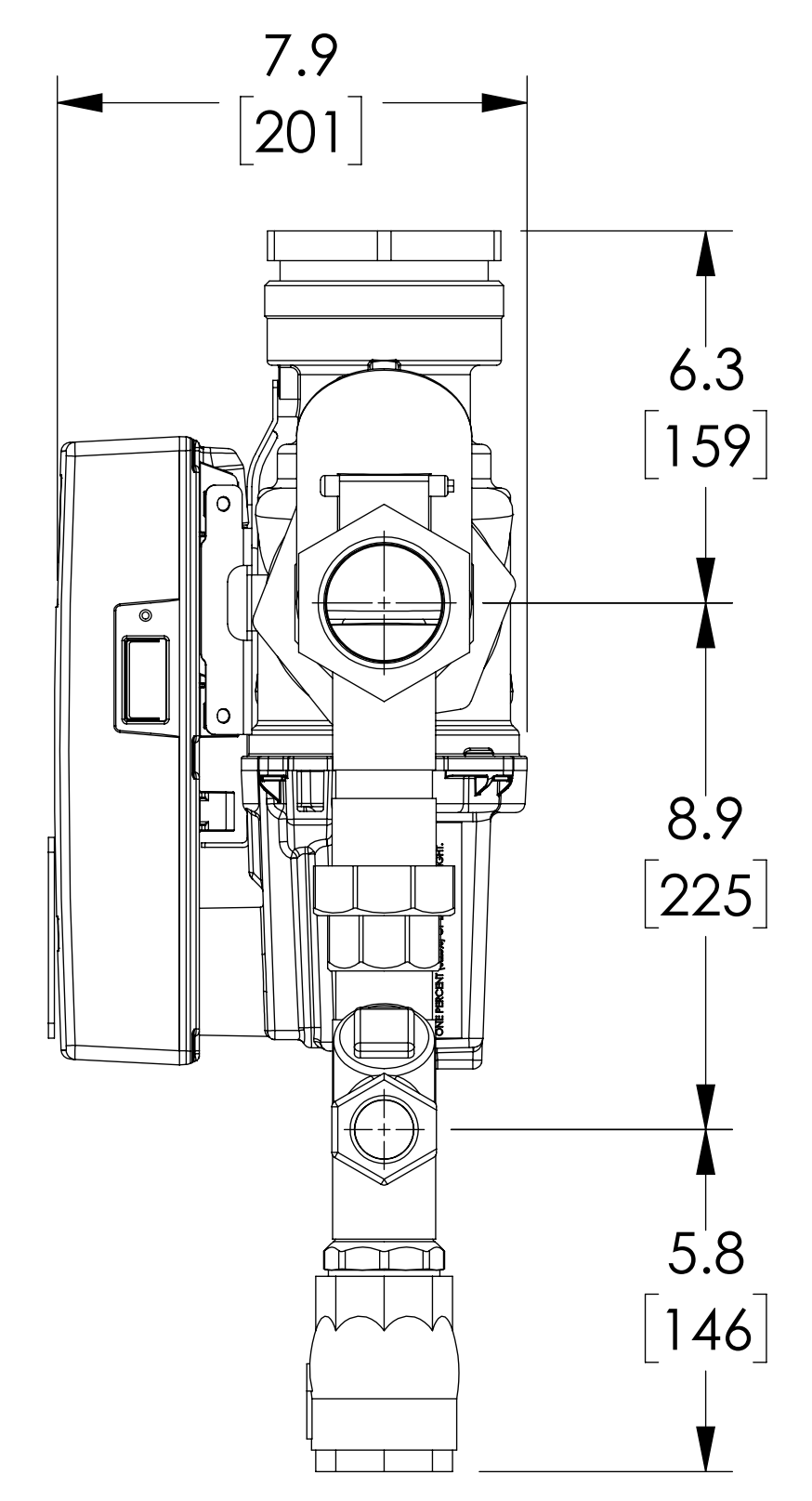
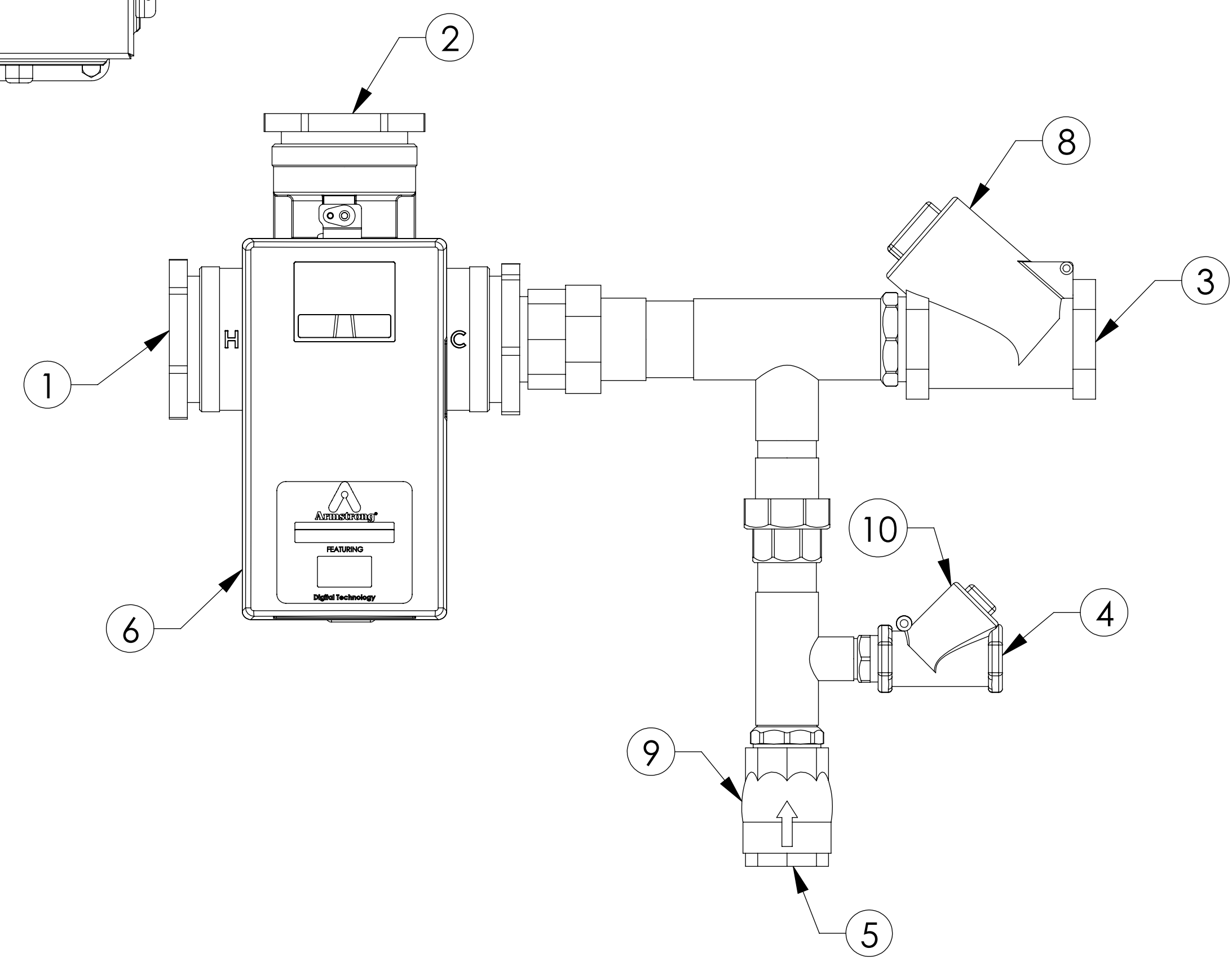
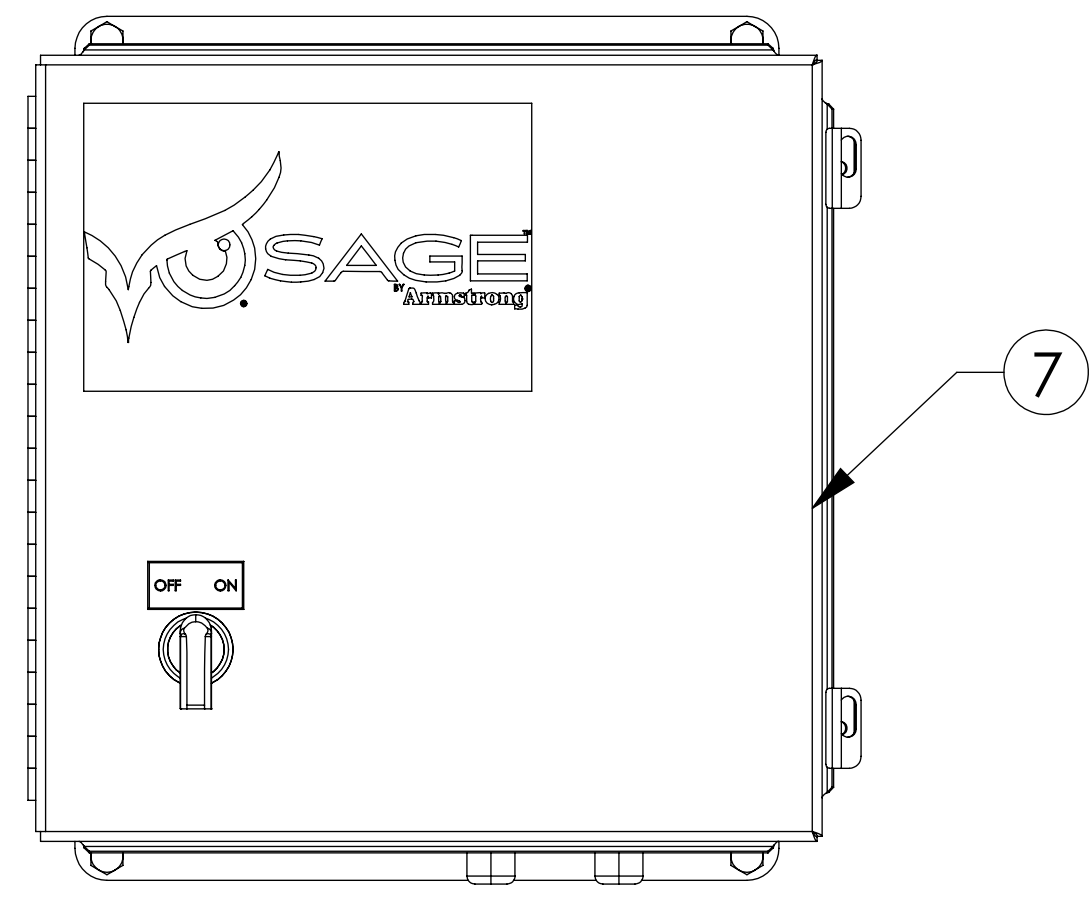
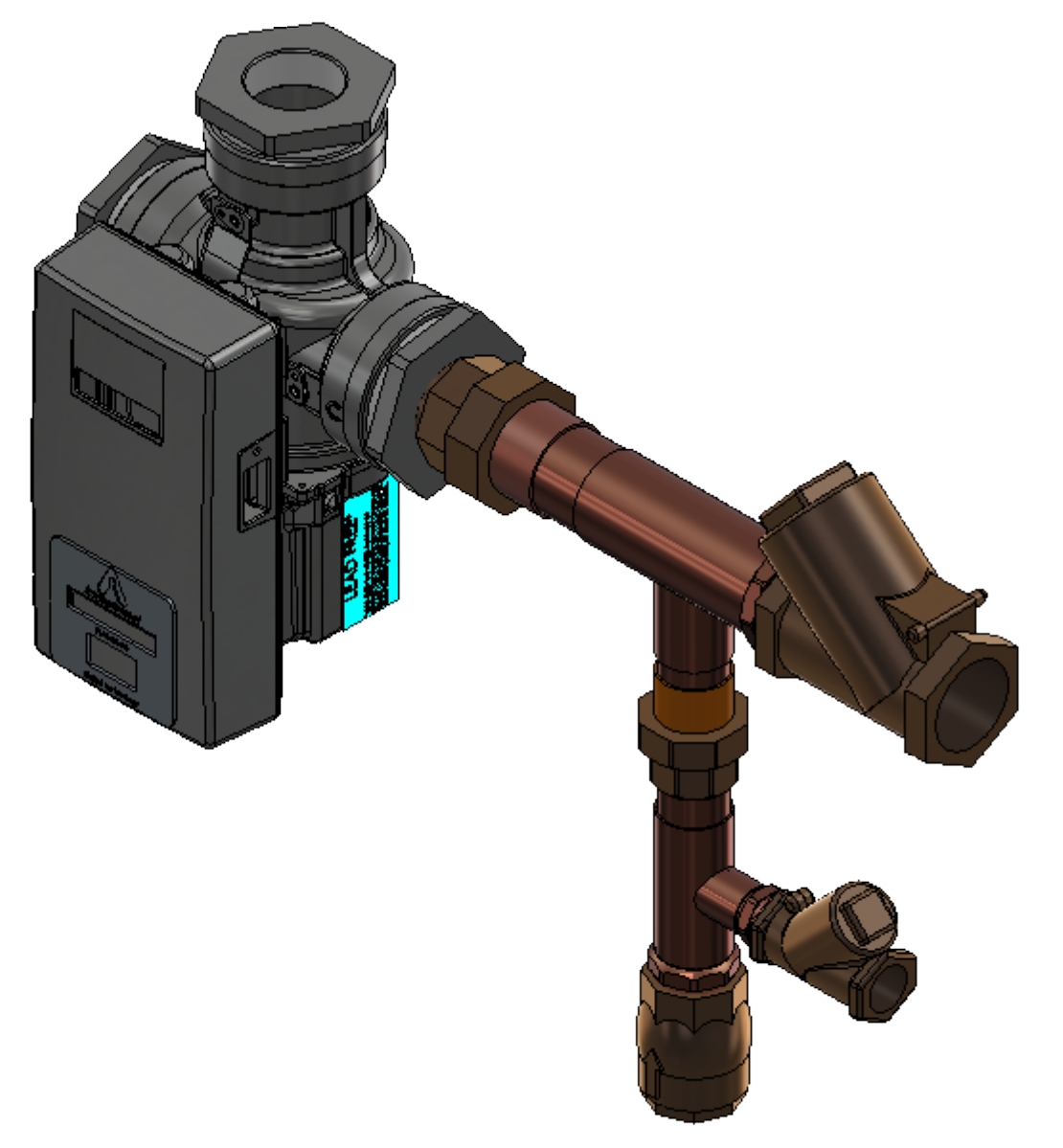
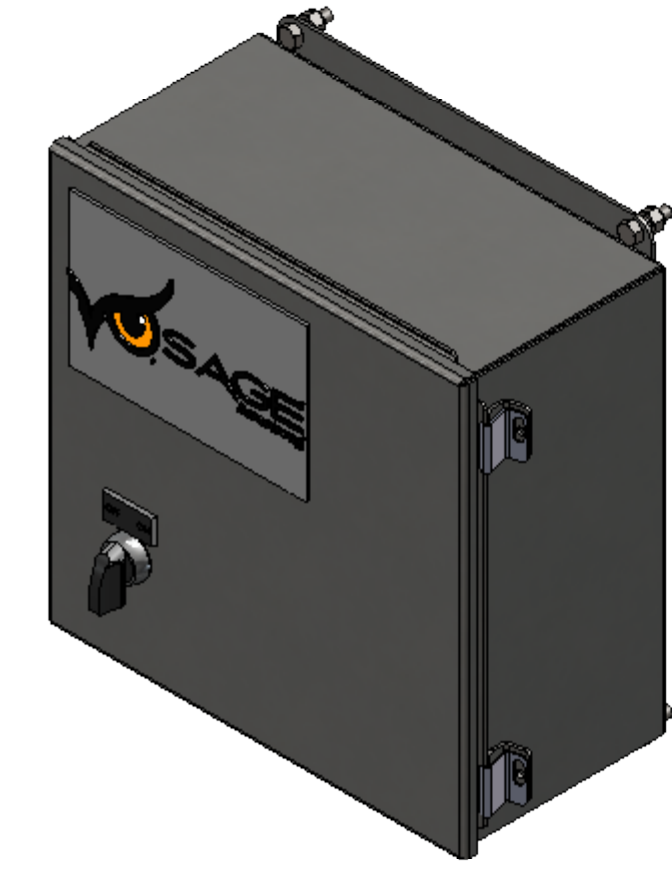


# APPROVAL

BY: \_\_\_\_\_ DATE: \_\_\_\_\_

- APPROVED, PROCEED WITH FABRICATION
- APPROVED AS NOTED, PROCEED WITH FABRICATION IN ACCORDANCE WITH COMMENTS
- DISAPPROVED, DO NOT FABRICATE



PROJECT NAME :

TAG :

ITEM NO.	DESCRIPTION	QTY	CONNECTION
1	HOT WATER INLET	1	2" NPT
2	MIXED WATER OUTLET	1	2" NPT
3	COLD WATER INLET	1	2" NPT
4	RETURN TO HEATER	1	1" NPT
5	RECIRC RETURN INLET	1	1-1/2" NPT
6	DRV50	1	2" NPT
7	ELECTRICAL PANEL/BRAINSCAN	1	110 VAC @ 1.2A
8	SWING CHECK VALVE	1	2" NPT
9	SPRING CHECK VALVE	1	1-1/2" NPT
10	SWING CHECK VALVE	1	1" NPT

ITEM	MATERIAL
PIPING	COPPER TYPE "L"

NOTE(S):

1. ARMSTRONG PART NUMBER : D40814
2. ALL VALVES AND FITTINGS IN THIS ASSEMBLY CONTAIN LESS THAN 0.25% LEAD BY WEIGHTED AVERAGE.

DO NOT SCALE DRAWING TOLERANCES UNLESS OTHERWISE SPECIFIED	
DIMENSIONING ENGLISH [mm]	
FRACTIONAL ± 1/64	ANGULAR: ± 2
DECIMAL	.XXXX ± .0005 .XXX ± .005 .XX ± .015 .X ± .3
	IN. MM

NAME	DATE
Jega Theesan	04/09/2015
DRAWN	
RELEASED	

ARMSTRONG INTERNATIONAL  
Copyright © 2010 ARMSTRONG INTERNATIONAL, INC.

DRV50RBS 2 NPT 2 NPT 1-1/2 NPT CPR

MATERIAL	CN58745
REV	H
DWG.	SALES

SHEET 1 OF 1