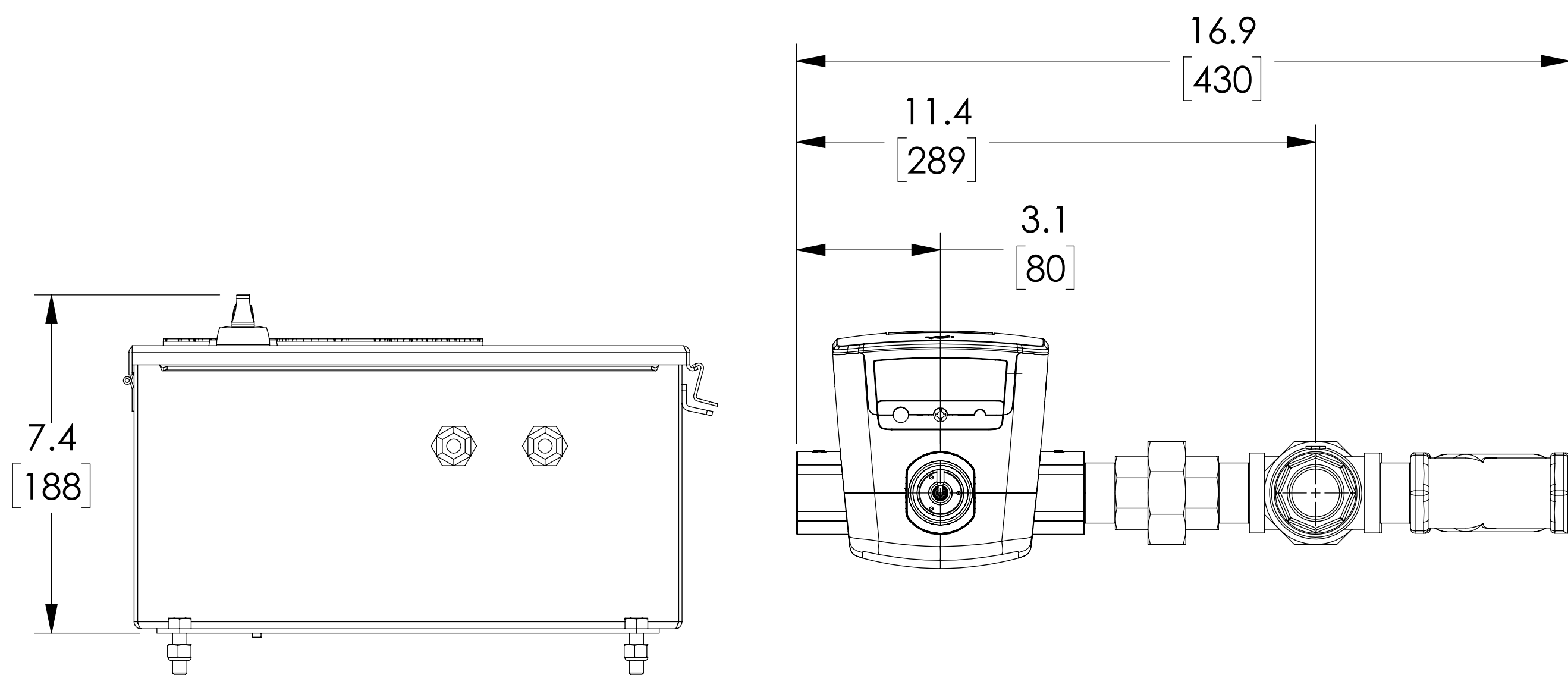
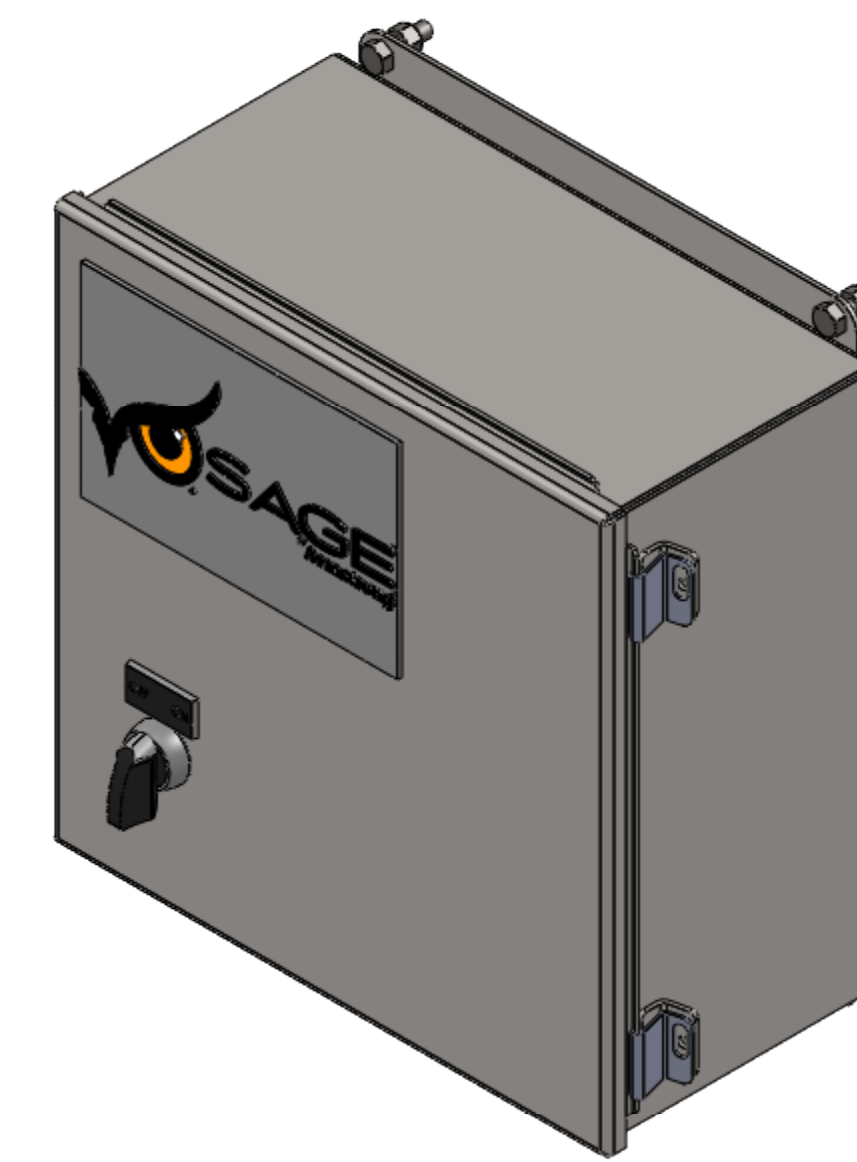
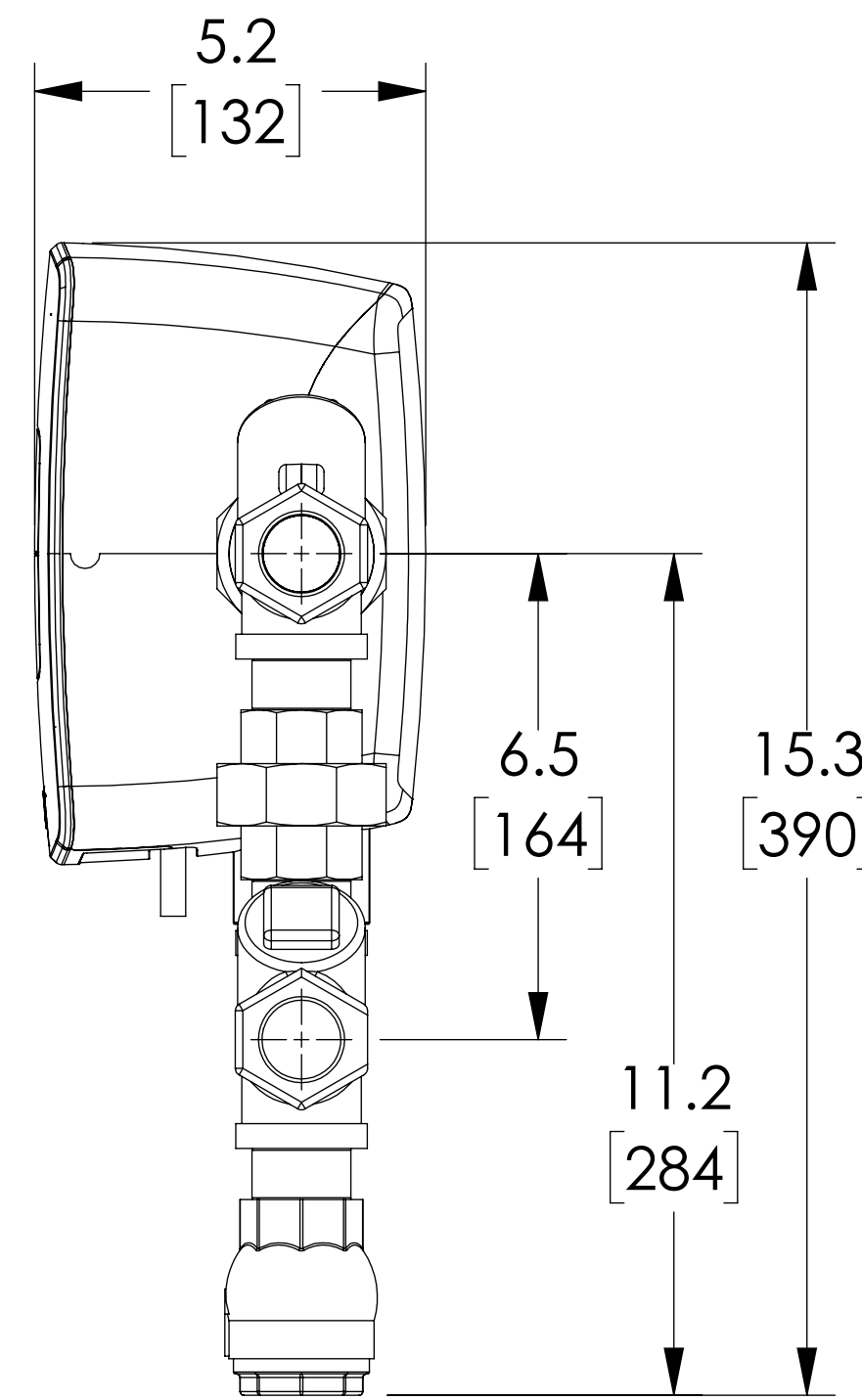
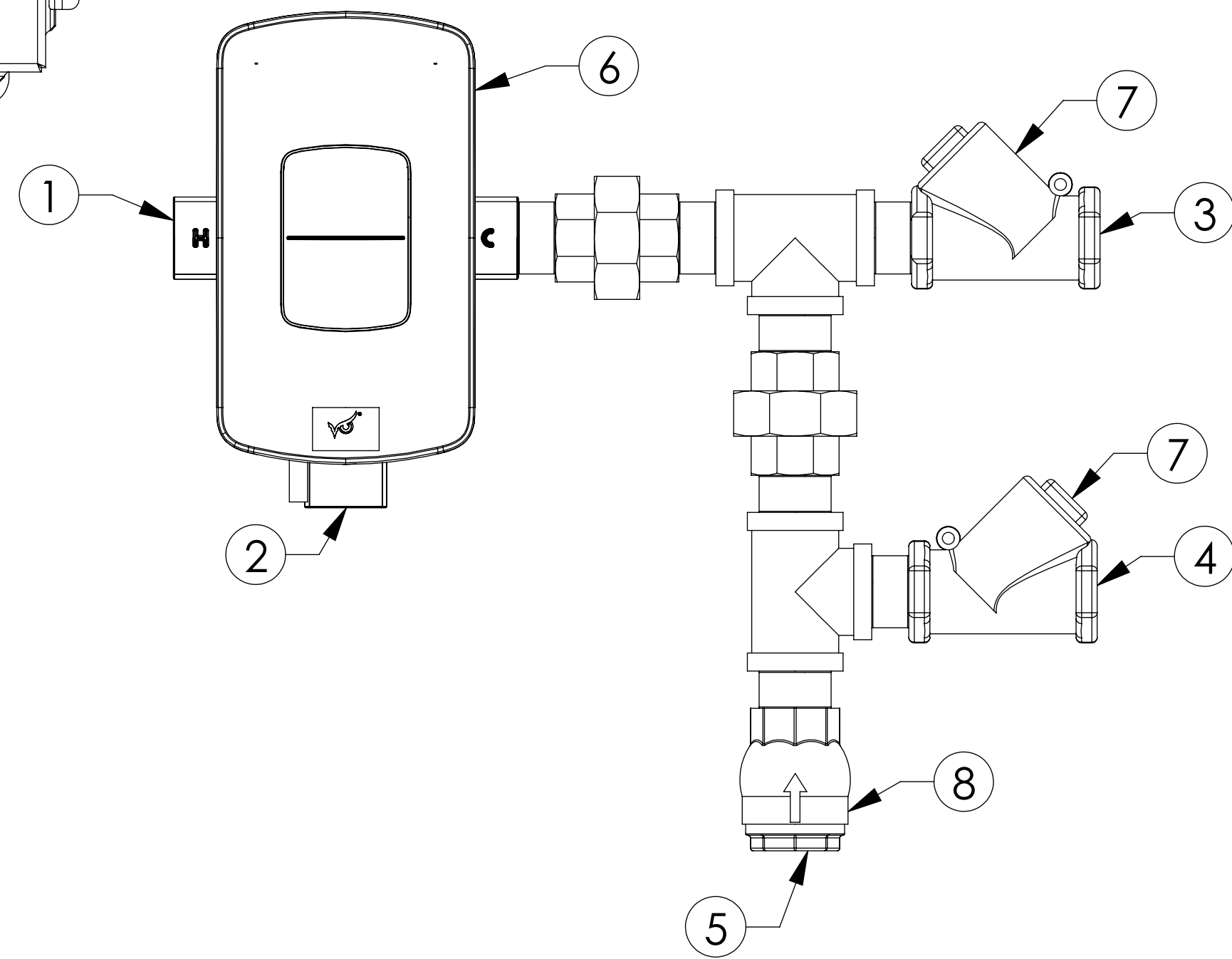
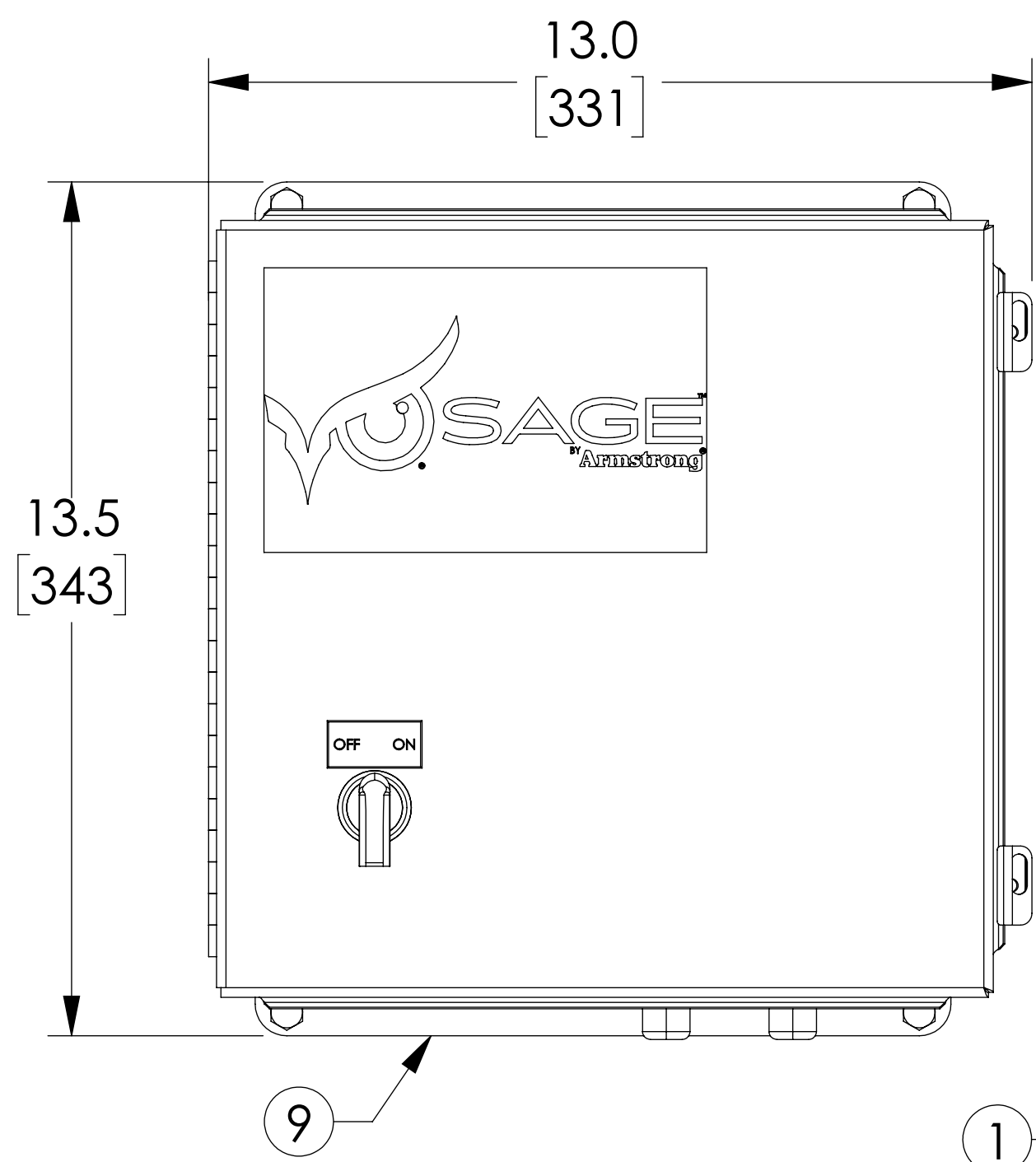


APPROVAL

BY: _____ DATE: _____

- APPROVED, PROCEED WITH FABRICATION
- APPROVED AS NOTED, PROCEED WITH FABRICATION IN ACCORDANCE WITH COMMENTS
- DISAPPROVED, DO NOT FABRICATE



PROJECT NAME :

TAG :

ITEM NO.	DESCRIPTION	QTY	CONNECTION
1	HOT WATER INLET	1	1" NPT
2	MIXED WATER OUTLET	1	1" NPT
3	COLD WATER INLET	1	1" NPT
4	RETURN TO HEATER	1	1" NPT
5	RECIRC RETURN INLET	1	1" NPT
6	DRV25	1	1" NPT
7	SWING CHECK VALVE	2	1" NPT
8	SPRING CHECK VALVE	1	1" NPT
9	ELECTRICAL PANEL/SAGE	1	110 VAC @ 1.2A

NOTE(S):
 1. ARMSTRONG PART NUMBER: D112526
 2. ALL VALVES AND FITTINGS IN THIS ASSEMBLY CONTAIN LESS THAN 0.25% LEAD BY WEIGHTED AVERAGE.

DO NOT SCALE DRAWING TOLERANCES UNLESS OTHERWISE SPECIFIED	
DIMENSIONING ENGLISH [mm]	
FRACTIONAL ± 1/64 ANGULAR: ± 2	
DECIMAL	.XXXX ± .0005 .XXX ± .005 .XX ± .015 .X ± .3
IN.	----- .010 .10 .3
MM	----- ----- -----

NAME	DATE
Kyle Bradford	11/15/2018
RELEASED	11/21/2018

ARMSTRONG INTERNATIONAL
 Copyright © 2010 ARMSTRONG INTERNATIONAL, INC.

DRV25RBS

MATERIAL	CN65424	REV A	DWG.	SHEET 1 OF 1	SALES
----------	---------	-------	------	--------------	-------