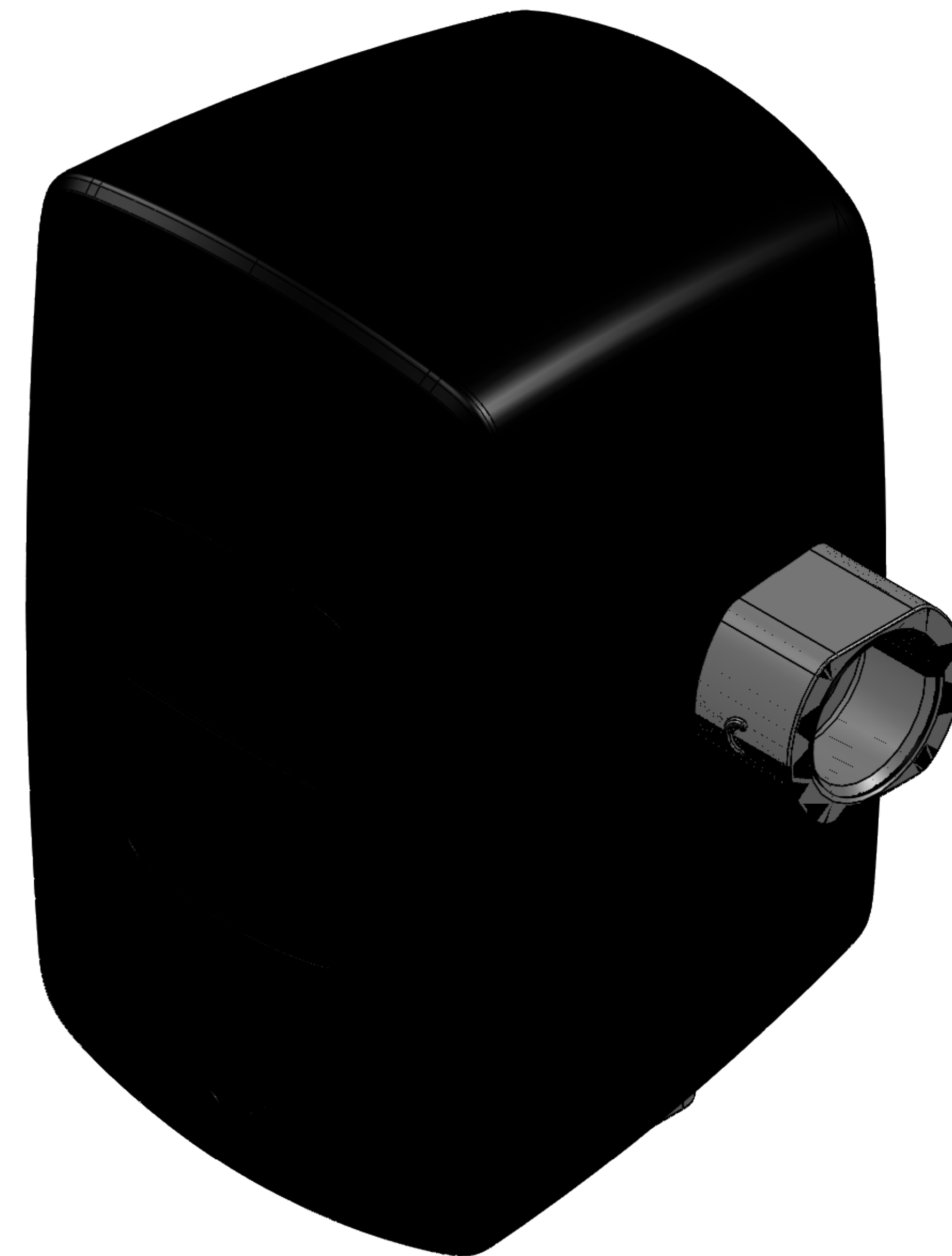
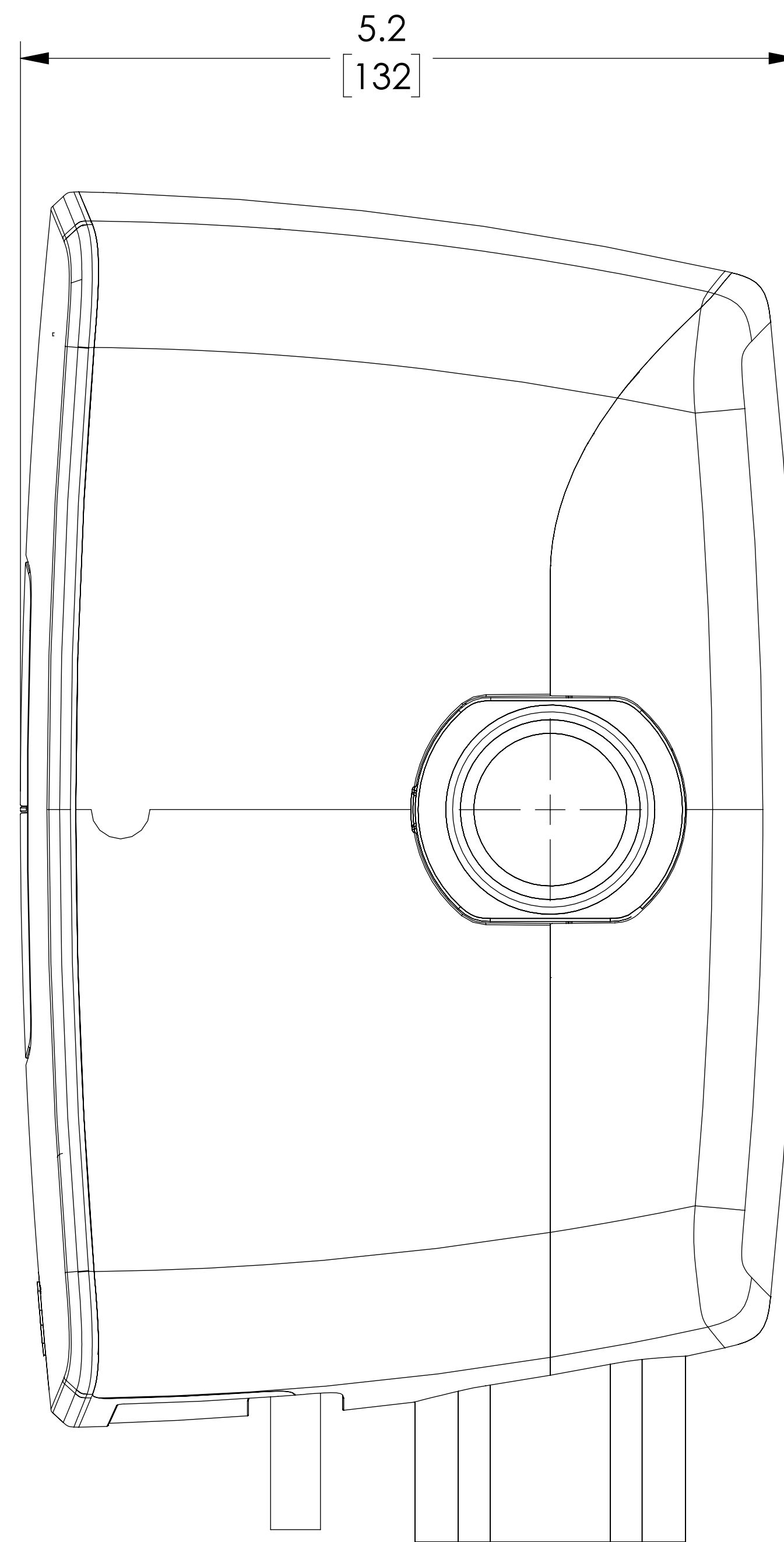
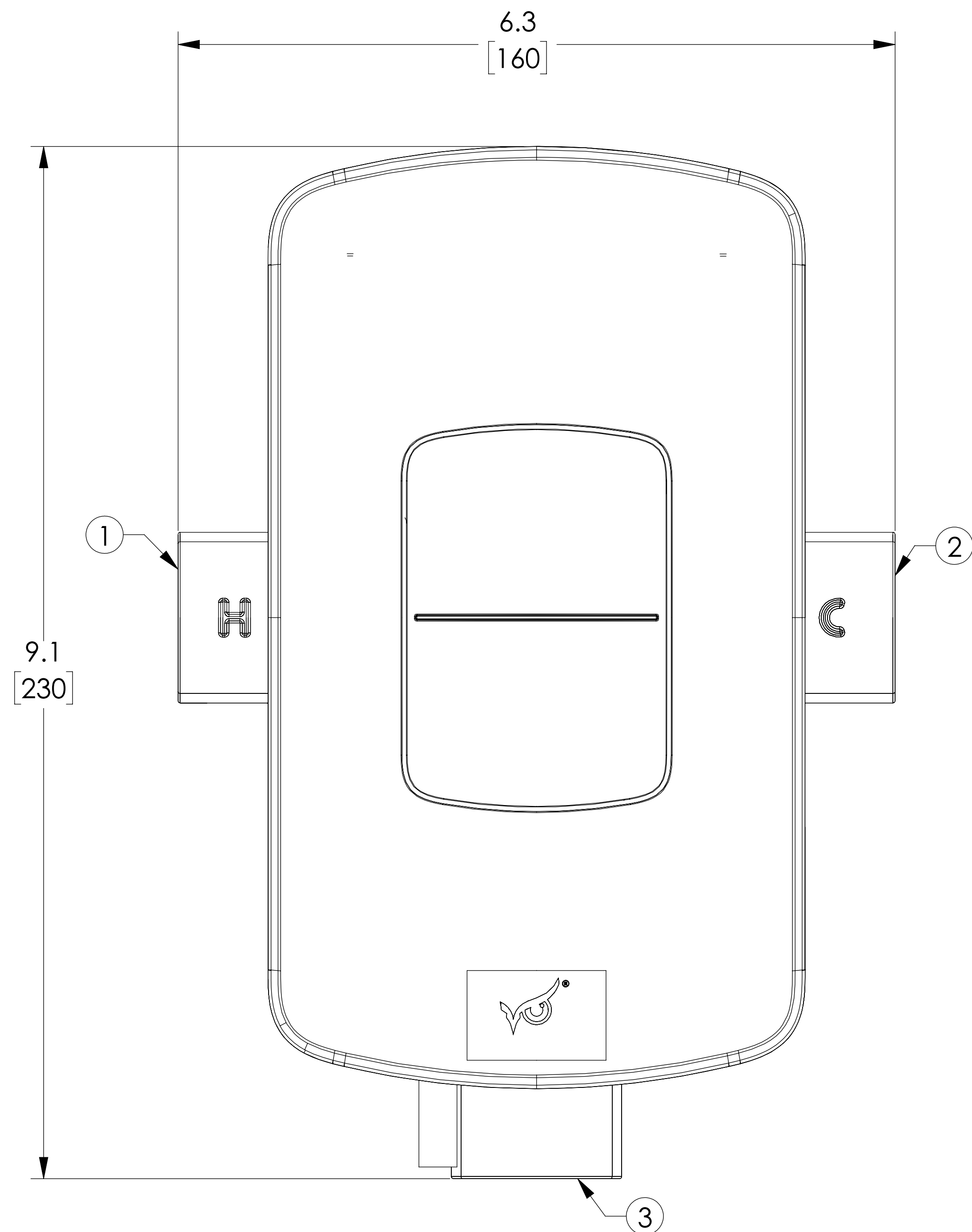


# APPROVAL

BY: \_\_\_\_\_ DATE: \_\_\_\_\_

- APPROVED, PROCEED WITH FABRICATION
- APPROVED AS NOTED, PROCEED WITH FABRICATION IN ACCORDANCE WITH COMMENTS
- DISAPPROVED, DO NOT FABRICATE



**PROJECT DESCRIPTION:**

**TAG:**

ITEM	DESCRIPTION	CONNECTION
1	HOT WATER INLET	1" NPT
2	COLD WATER INLET	1" NPT
3	MIXED WATER OUTLET	1" NPT

DO NOT SCALE DRAWING	
TOLERANCES UNLESS OTHERWISE SPECIFIED	
DIMENSIONING ENGLISH [mm]	
FRACTIONAL ± 1/64	
ANGULAR: ± 2	
DECIMAL	IN. MM
.XXXX ±	.0005 .010
.XXX ±	.005 .10
.XX ±	.015 .10
.X	.3

NAME	DATE
DRAWN Kyle Bradford	11/12/2018
RELEASED	11/21/2018

**ARMSTRONG INTERNATIONAL**  
 Copyright © 2010 ARMSTRONG INTERNATIONAL, INC.

DRV25

MATERIAL	REV A	DWG.	SHEET 1 OF 1
CN65424			SALES

NOTE(S):  
1. REFERENCE ARMSTRONG DRAWING D112404.