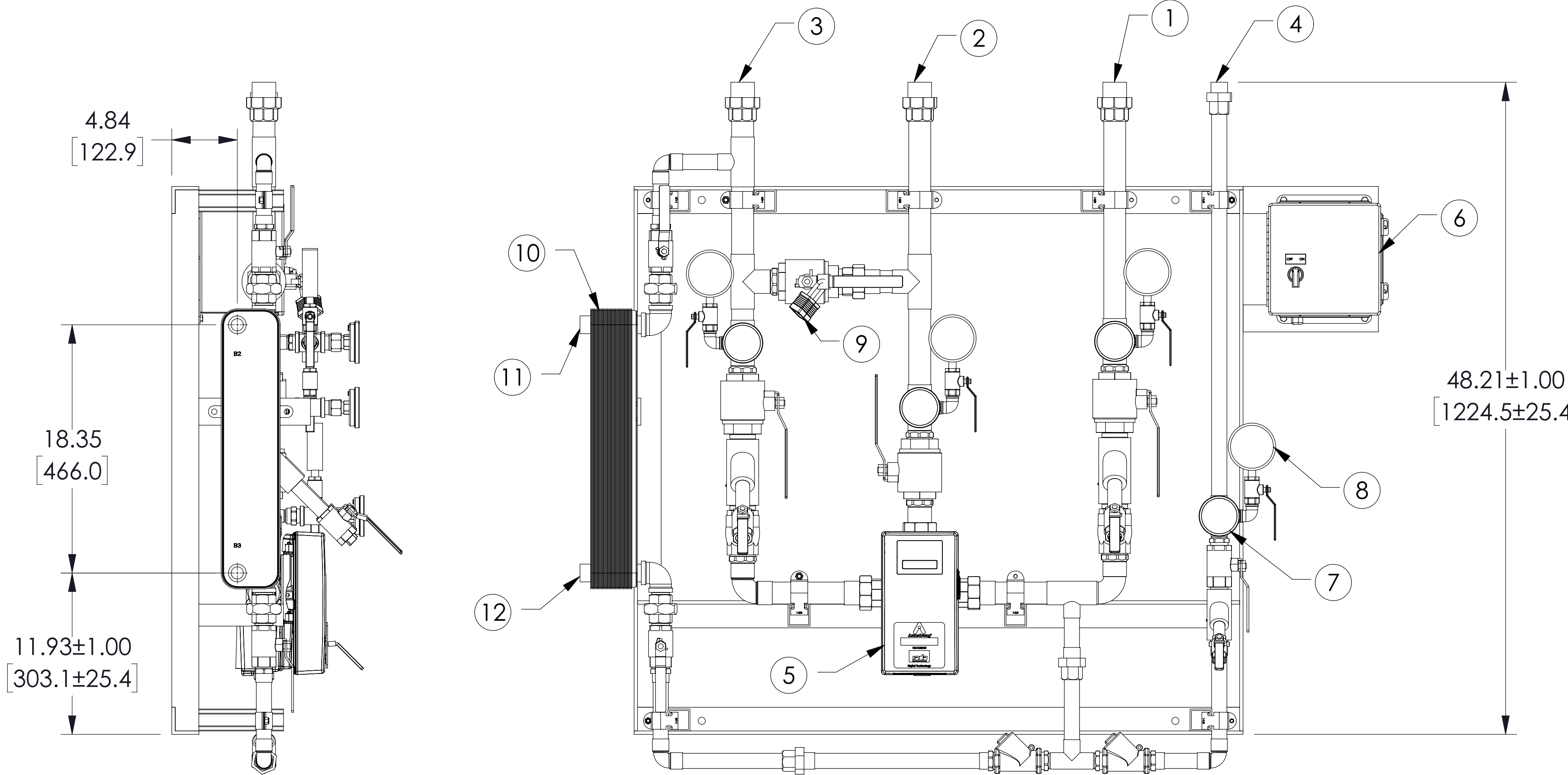


Zone Reheat System Typical Parameters		Custom
DRV System Set Point	134	
Recirc ΔT	10	
Recirc Temp	124	
Recirc Flow	5	
Recirc Reheat Flow	4.17	
Recirc Reheat Temp	136	
Recirc Reheat Press Drop	0.39	
PHE Supply Flow	5.01	
PHE Supply Temp	140	
PHE Supply Return Temp	130	
PHE Supply Press Drop	0.63	
*Assumes Avg. of 3 floors, 2310' of 1.25" dia. Pipe for building size		



ITEM	DESCRIPTION	QTY	CONNECTION
1	COLD WATER INLET	1	1-1/2" SWT
2	MIXED WATER OUTLET	1	1-1/2" SWT
3	HOT WATER INLET	1	1-1/2" SWT
4	RECIRC RETURN INLET	1	1" SWT
5	DRV50	1	1-1/2" NPT
6	ELECTRICAL PANEL	1	110VAC @0.7VAC
7	THERMOMETER	3	1/2" NPT
8	PRESSURE GAUGE	4	1/4" NPT
9	SERVICE BY--PASS	1	
10	PHE	1	
11	PRIMARY INLET	1	1" NPT
12	PRIMARY OUTLET	1	1" NPT
	ITEM		
	PIPING		COPPER TYPE "L"

NOTES:

- ALL DIMENSIONS +/-0.5 [13] UNLESS OTHERWISE SHOWN
- COMPLETE ASSEMBLY LEAD FREE COMPLIANT - THE WETTED SURFACE OF THIS PRODUCT CONTACTED BY CONSUMABLE WATER CONTAINS LESS THAN ONE QUARTER OF ONE PERCENT (0.25%) OF LEAD BY WEIGHT
- PACKAGE INCLUDES ALL REQUIRED INLET CHECK VALVES AND STRAINERS ON DOMESTIC SIDE
- DRV AND ELECTRICAL PANEL ARE PREWIRED TO PROVIDE A SINGLE ELECTRICAL LANDING POINT AT THE PANEL.

APPROVAL

BY: _____ DATE: _____

APPROVED, PROCEED WITH FABRICATION

APPROVED AS NOTED, PROCEED WITH FABRICATION IN ACCORDANCE WITH COMMENTS

DISAPPROVED, DO NOT FABRICATE

DO NOT SCALE DRAWING TOLERANCES UNLESS OTHERWISE SPECIFIED	
DIMENSIONING ENGLISH [mm]	
FRACTIONAL ± 1/64	
ANGULAR: ± 2	
DECIMAL	.XXXX ± .0005
	.XXX ± .005
	.XX ± .015
	.X ± .03

NAME	DATE
Prabhu R	11/26/2020

DRAWN: _____
RELEASED: _____

ARMSTRONG INTERNATIONAL
Copyright © 2010 ARMSTRONG INTERNATIONAL, INC.

DMC40 PHE-415-32 1-1/2 SWT 1-1/2 SWT 1 SWT CPR

MATERIAL	CN72782	REV A	DWG.	SHEET 1 OF 1	SALES
----------	---------	-------	------	--------------	-------