

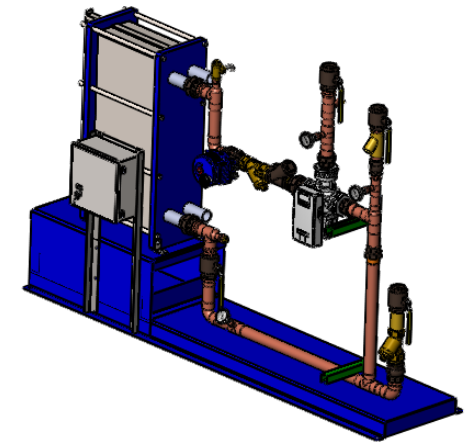
APPROVAL

BY: _____ DATE: _____

APPROVED, PROCEED WITH FABRICATION

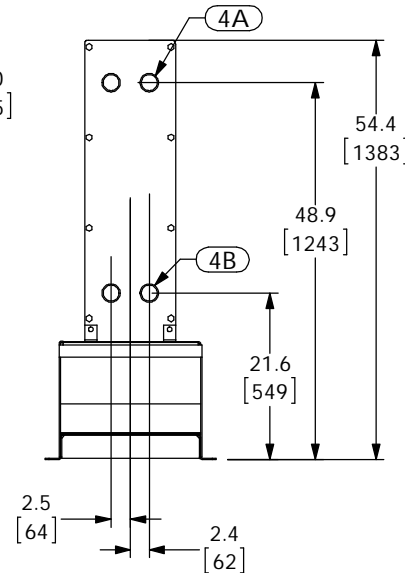
APPROVED AS NOTED, PROCEED WITH FABRICATION IN ACCORDANCE WITH COMMENTS

DISAPPROVED, DO NOT FABRICATE



DIGITAL FLO BOILER WATER/WATER PLATE & FRAME HEAT EXCHANGER SINGLE WALL

PIPING AND COMPONENTS HIDDEN TO SHOW CONNECTIONS



PROJECT NAME :

TAG :

ITEM	DESCRIPTION	CONNECTION
1	COLD WATER INLET	2" NPT
2	MIXED WATER OUTLET	2" NPT
3	RECIRC WATER INLET	1-1/2" NPT
4A	PRIMARY(BOILER) INLET	2" NPT
4B	PRIMARY(BOILER) OUTLET	2" NPT
5	ELECTRICAL PANEL/BRAINSCAN	110VAC @ 1.2A
6	DRV80	3" NPT
7	N.C. ACTUATED BALL VALVE SAFETY SHUT OFF	2" NPT
8	THERMOMETER (3)	
9	CIP CONNECTION (2)	1" NPT
10	SRV(PRESSURE) PIPE TO DRAIN	1" NPT
11	SRV(CONNECTION FOR USER SUPPLIED T&P)	3/4" NPT
ITEM	MATERIAL	
PIPING	COPPER TYPE "L"	
EXCHANGER PLATE MATL.	T316L SS	
EXCHANGER GASKET MATL.	NITRILE	

NOTE(S):

- ALL DIMENSIONS +/- .5[13] UNLESS OTHERWISE SHOWN.
- COMPLETE ASSEMBLY LEAD FREE COMPLIANT - THE WETTED SURFACE OF THIS PRODUCT CONTACTED BY CONSUMABLE WATER CONTAINS LESS THAN ONE QUARTER OF ONE PERCENT (0.25%) OF LEAD BY WEIGHT.
- PACKAGE INCLUDES ALL REQUIRED INLET CHECK VALVES AND STRAINERS ON DOMESTIC SIDE.
- DRV, SAFETY SHUT OFF AND ELECTRICAL PANEL ARE PREWIRED TO PROVIDE A SINGLE ELECTRICAL LANDING POINT AT THE PANEL.

 DO NOT SCALE DRAWING TOLERANCES UNLESS OTHERWISE SPECIFIED DIMENSIONING ENGLISH [mm]													
FRACTIONAL	± 1/64												
ANGULAR	± 2												
DECIMAL	<table border="1"> <tr> <td>XXX</td> <td>± .0005</td> <td>----</td> </tr> <tr> <td>XXX</td> <td>± .005</td> <td>.010</td> </tr> <tr> <td>XX</td> <td>± .015</td> <td>.10</td> </tr> <tr> <td>X</td> <td>± .03</td> <td>.3</td> </tr> </table>	XXX	± .0005	----	XXX	± .005	.010	XX	± .015	.10	X	± .03	.3
XXX	± .0005	----											
XXX	± .005	.010											
XX	± .015	.10											
X	± .03	.3											

 Armstrong	
NAME	DATE
DRAWN	CFG 02/26/2013
RELEASED	SALES

ARMSTRONG INTERNATIONAL Copyright © 2010 ARMSTRONG INTERNATIONAL, INC.	
DF65W50BS 2 NPT 2 NPT 1-1/2 NPT CPR	
CONFIG# (C-XXXXXX)	
MATERIAL	SHEET 1 OF 1
REV	DWG: D5XXXXX