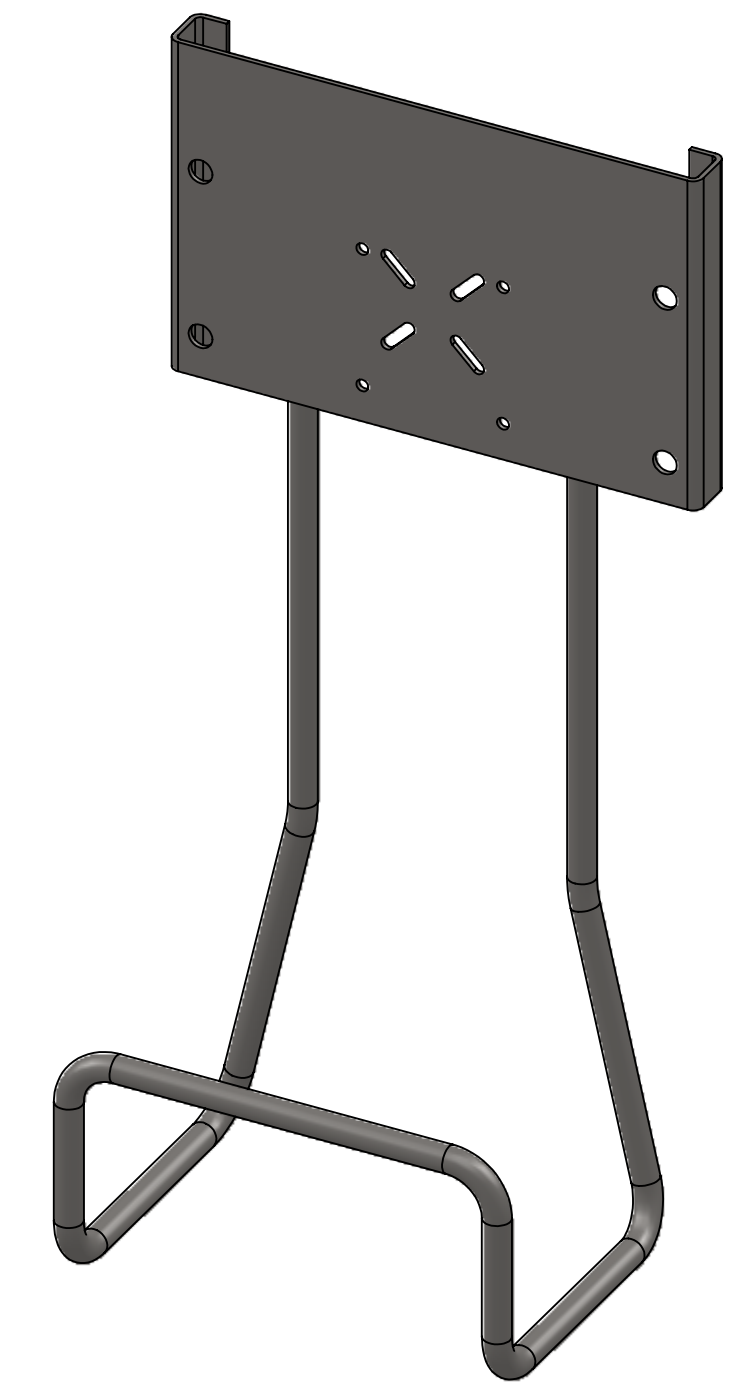
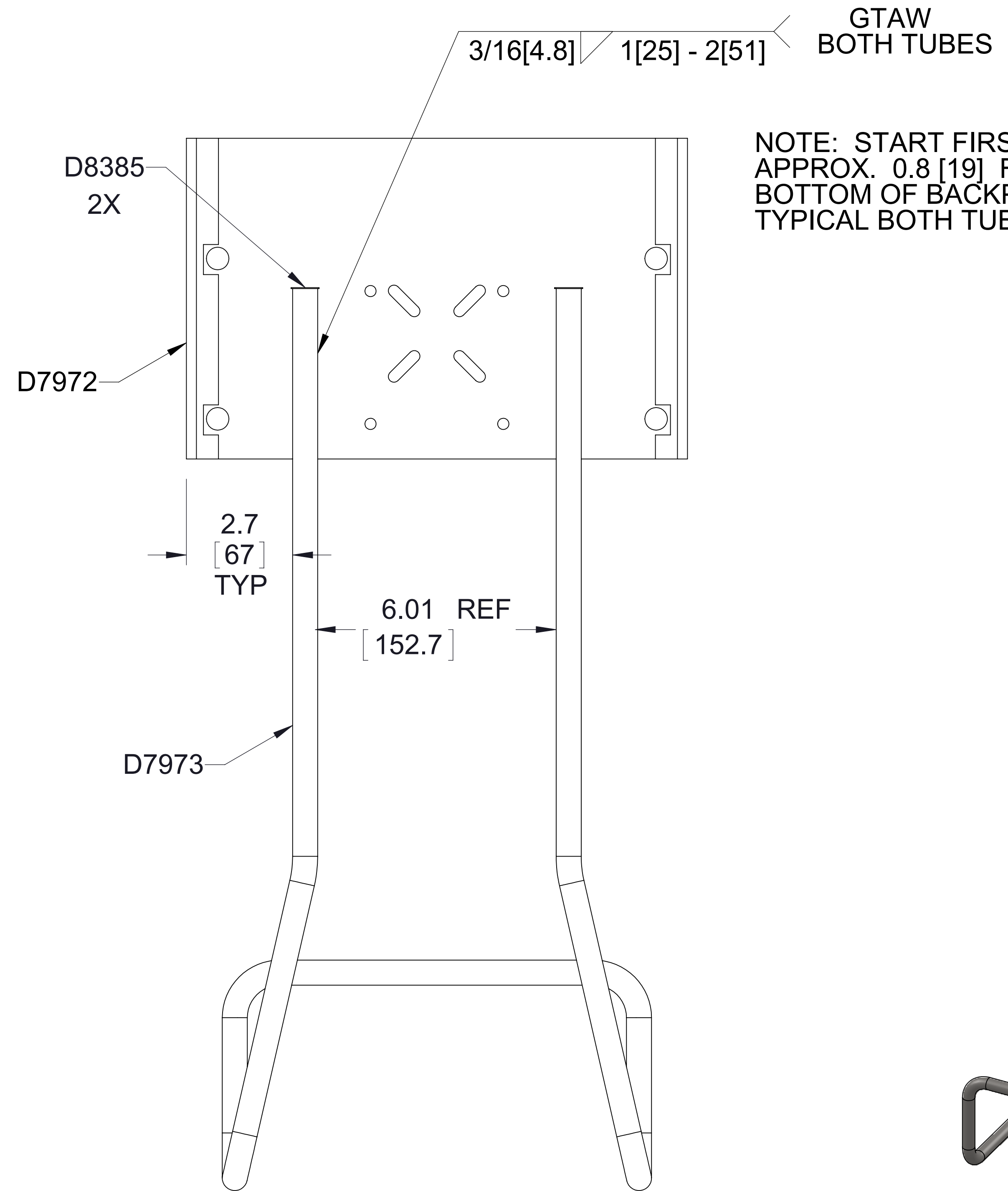
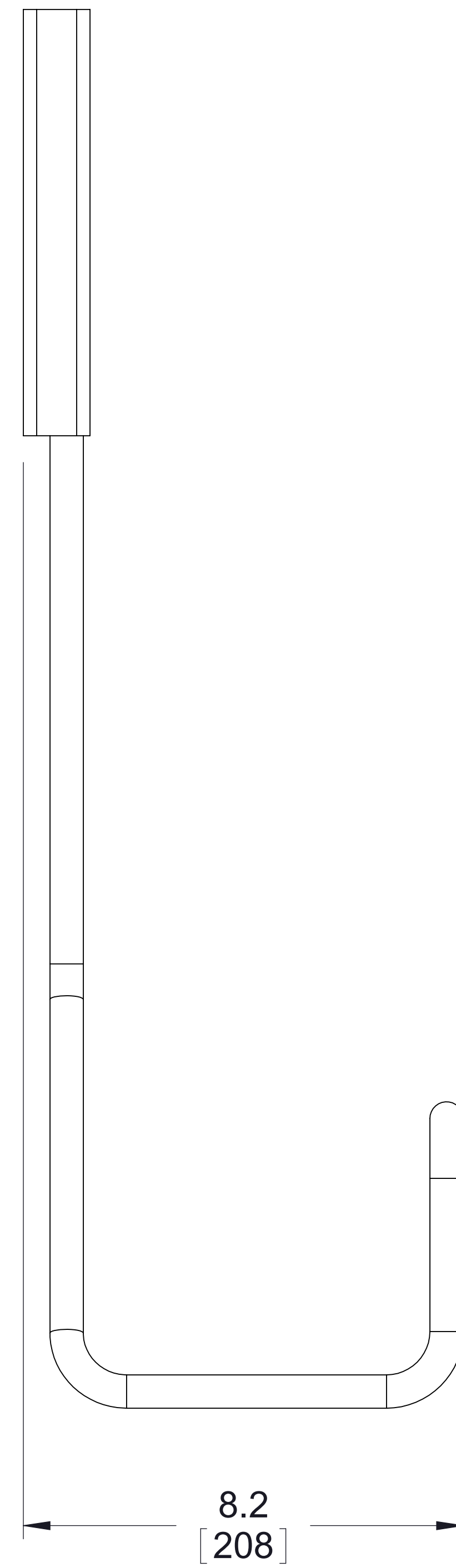
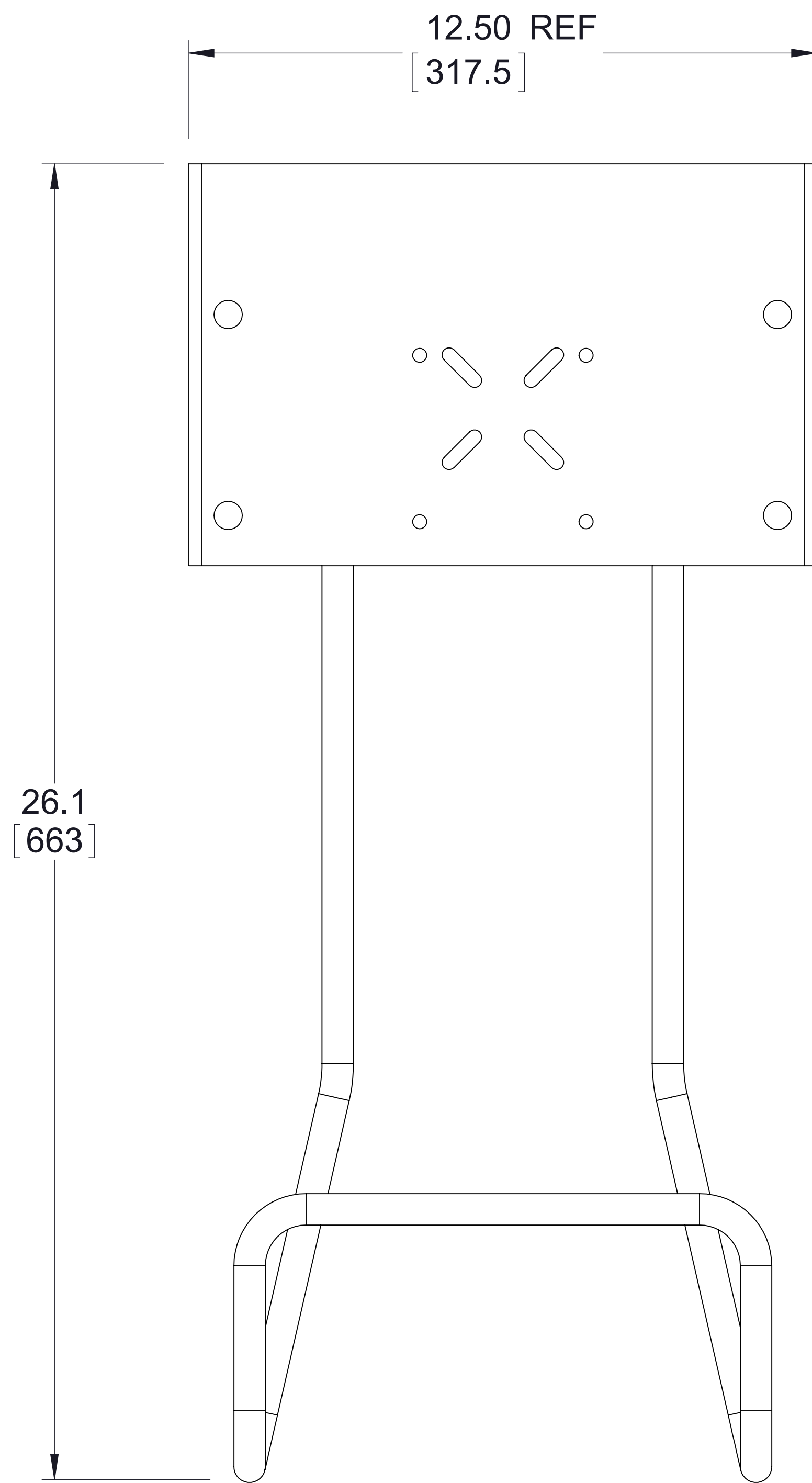
		ARMSTRONG INTERNATIONAL Copyright © 2010 ARMSTRONG INTERNATIONAL, INC.	
DO NOT SCALE DRAWING TOLERANCES UNLESS OTHERWISE SPECIFIED				HOSE RACK SS W/ MNT PLT	
DIMENSIONING ENGLISH [mm]				MATERIAL	
FRACTIONAL ± 1/64 ANGULAR: ± 2				SHEET 1 OF 2	
DECIMAL	.XXX ± .005	.10		NAME	DATE
	.XX ± .015	.3		DRAWN	Tony Hooley 02/09/2011
	.X ± .03			RELEASED	
				CN40301	REVE DWG. D7974



DO NOT SCALE DRAWING

TOLERANCES UNLESS OTHERWISE SPECIFIED

FRACTIONAL ± 1/64
ANGULAR: ± 2

DECIMAL	IN.	MM
.XXXX ±	.0005	-----
.XXX ±	.005	.010
.XX ±	.015	.10
.X	-----	.3

NAME	DATE
TONY HOOLEY	02/09/2011

ARMSTRONG INTERNATIONAL
Copyright © 2010 ARMSTRONG INTERNATIONAL, INC.

HOSE RACK SS W/ MNT PLT

MATERIAL	REVISION	DWG. NO.	SHEET
CN40301	3	D7974	2 OF 2