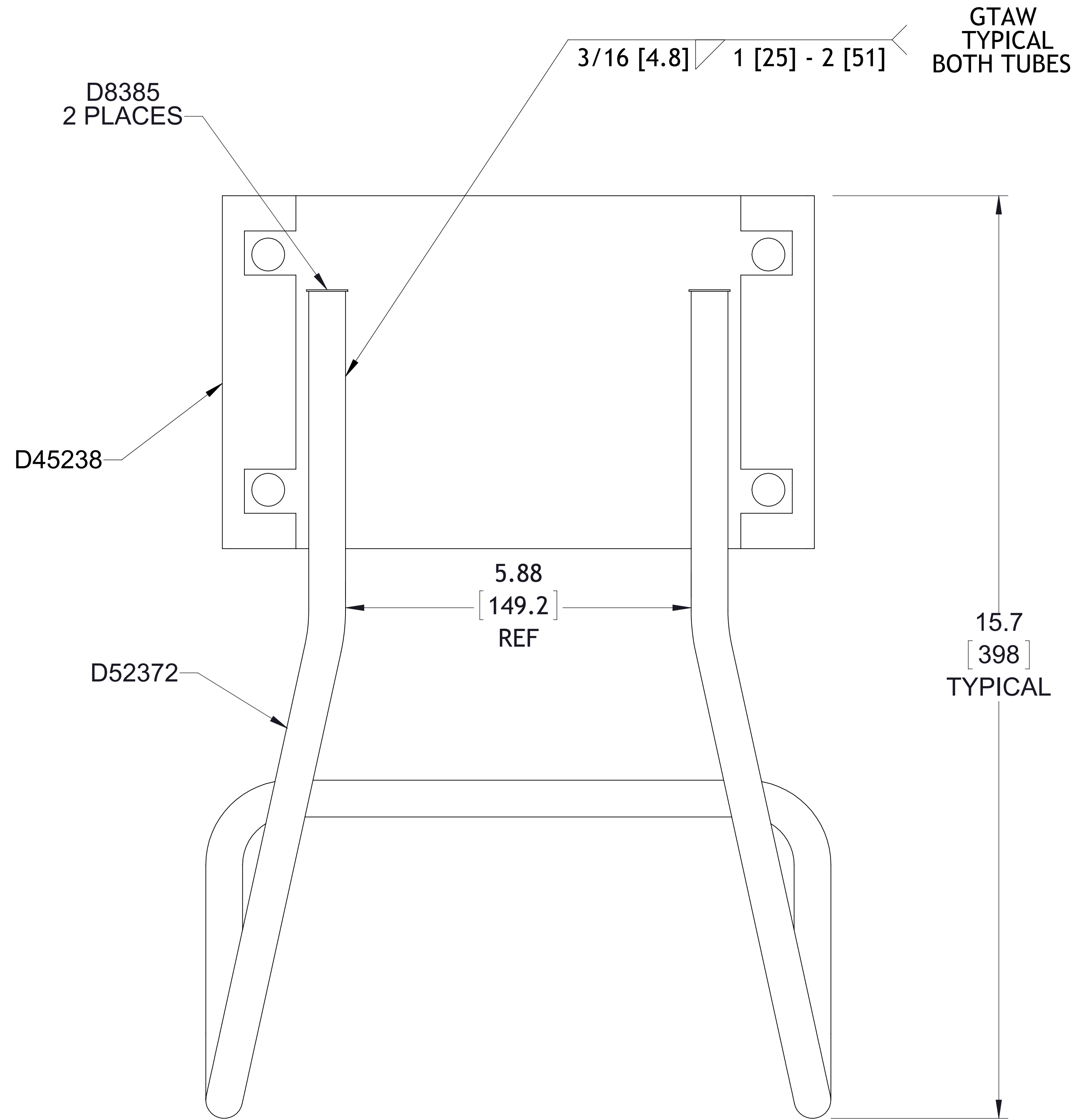


NOTES:


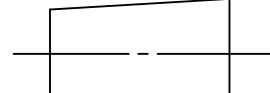
1. ALL DIMENSIONS ARE REFERENCE EXCEPT OVERALL HEIGHT DIM.


				ARMSTRONG INTERNATIONAL Copyright © 2010 ARMSTRONG INTERNATIONAL, INC.	
DO NOT SCALE DRAWING TOLERANCES UNLESS OTHERWISE SPECIFIED DIMENSIONING ENGLISH [mm]				HOSE RACK SATELLITE SS	
FRACTIONAL ± 1/64 ANGULAR: ± 2					
DECIMAL .XXX ± .005 .010 .XX ± .015 .10 .X ± .3		NAME DATE Tony Hooley 05/09/2013			
		DRAWN		MATERIAL	
		RELEASED		CN35228	
				REV A DWG. D21153	
				SHEET 1 OF 2	



NOTES:

- 1 START FIRST WELD APPROX 0.8 [19] FROM BOTTOM OF BACKPLATE.
2. FORMED TUBE (D52372) TO BE CENTERED HORIZONTALLY ON BACKPLATE (D45238).

 	
DO NOT SCALE DRAWING	
TOLERANCES UNLESS OTHERWISE SPECIFIED	
FRACTIONAL	± 1/64
ANGULAR:	± 2
DECIMAL	.XXXX ± .0005
	.XXX ± .005
	.XX ± .015
	.X ± .3

	
NAME	DATE
DRAWN Tony Hooley	05/09/2013
RELEASED	

ARMSTRONG INTERNATIONAL Copyright © 2010 ARMSTRONG INTERNATIONAL, INC.	
HOSE RACK SATELLITE SS	
MATERIAL	SHEET 2 OF 2
CN35228	REV A DWG. D21153