



CD-82S Disc Trap

For steam service up to 68.9 barg (1 000 psig)...Capacities to 362 kg/hr (800 lb/hr)

The Armstrong CD-82S models are durable disc style steam traps designed for medium to high-pressure use. Perfectly suited for drip trap applications, the CD-82S was engineered to meet the demanding conditions found in Power and Petrochemical applications.

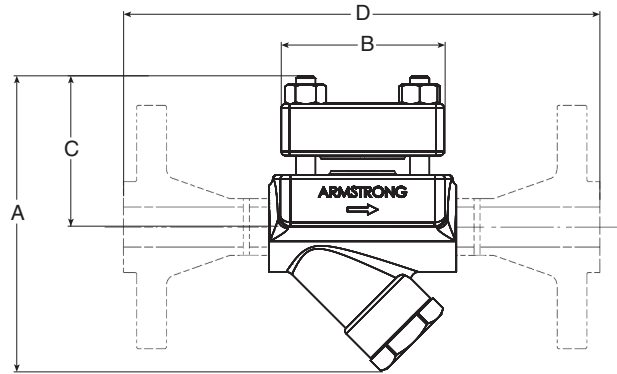
With an integral strainer and rugged construction, the CD-82S offers a compact, reliable solution for high pressure applications with low condensate loads.

Advantages

- Compact
- Integral Strainer
- Freeze-resistant
- Replaceable seat and disc
- Weldable

Connections

- Screwed NPT and BSPT
- Socketweld and Buttweld
- Flanged EN 1092-1 or ASME B16.5



Steam Trapping and Steam Tracing Equipment

ST-174-1. CD-82S List of Materials

Name of Part	Material
	CD-82S
Body	ASTM A182 F22 Class 3
Cap	
Screen Retainer	
Disc	ASTM A681 TYP D2
Seat	
Bolts/Nuts	ASTM A193 Gr. B16 / ASTM A194 Gr. 7
Strainer Screen	30 x 30 Mesh T-304 Stainless Steel

ST-174-2. Dimensions and Weights - NPT, BSPT and SW Connection

	mm	
	1/2", 3/4"	
"A" Height	144	
"B" Length*	92	
"C" \varnothing to top of cap	75	
Weight, lb (kg)*	3.5	
Minimum Operating Pressure	6.9 barg	
Maximum Operating Pressure	68.9 barg @ 285°C	
Maximum Allowable Pressure	103.4 barg @ 343°C	

ST-174-5. Dimensions and Weights - BW Connection

	mm	
	1/2", 3/4"	
"A" Height	144	
"B" Length*	120	
"C" \varnothing to top of cap	75	
Weight, lb (kg)*	3.6	
Minimum Operating Pressure	6.9 barg	
Maximum Operating Pressure	68.9 barg @ 285°C	
Maximum Allowable Pressure	103.4 barg @ 343°C	

ST-174-3. Dimensions and Weights - ASME B 16.5 Class 150# Flanged Connection

	mm	mm
	1/2"	3/4"
"A" Height	144	144
"D" Face-to-Face	222	231
"C" \varnothing to top of cap	75	75
Weight, lb (kg)*	5.3	
Minimum Operating Pressure	6.9 barg	
Maximum Operating Pressure	13.7 barg @ 204°C	
Maximum Allowable Pressure	13.7 barg @ 204°C	

ST-174-6. Dimensions and Weights - ASME B 16.5 Class 300# Flanged Connection

	mm	mm
	1/2"	3/4"
"A" Height	144	144
"D" Face-to-Face	231	241
"C" \varnothing to top of cap	75	75
Weight, lb (kg)*	5.3	6.2
Minimum Operating Pressure	6.9 barg	
Maximum Operating Pressure	45.6 barg @ 260°C	
Maximum Allowable Pressure	45.6 barg @ 260°C	

ST-174-4. Dimensions and Weights - ASME B 16.5 Class 600# Flanged Connection

	mm	mm
	1/2"	3/4"
"A" Height	144	144
"D" Face-to-Face	244	254
"C" \varnothing to top of cap	75	75
Weight, lb (kg)*	6.2	7.1
Minimum Operating Pressure	6.9 barg	
Maximum Operating Pressure	68.9 barg @ 285°C	
Maximum Allowable Pressure	83.7 barg @ 316°C	

ST-174-7. Dimensions and Weights - ASME B 16.5 Class 900# Flanged Connection

	mm	mm
	1/2"	3/4"
"A" Height	144	144
"D" Face-to-Face	260	279
"C" \varnothing to top of cap	75	75
Weight, lb (kg)*	9.9	
Minimum Operating Pressure	6.9 barg	
Maximum Operating Pressure	68.9 barg @ 285°C	
Maximum Allowable Pressure	103.4 barg @ 343°C	

All dimensions and weights are approximate. Use certified print for exact dimensions. Design and materials are subject to change without notice.

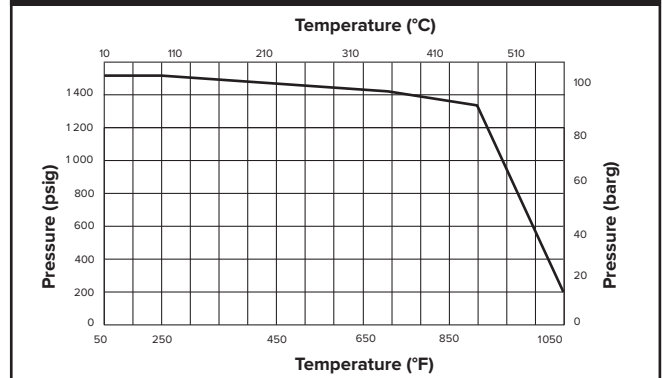
CD-82S Disc Trap

For steam service up to 68.9 barg (1 000 psig)...Capacities to 362 kg/hr (800 lb/hr)

Specification

Steam trap shall be forged steel (ASTM A182 F22) thermodynamic type. Trap shall be supplied with bolted cover and replaceable disc and seating surfaces. Trap shall be supplied with an integral Y strainer with stainless steel mesh. Maximum allowable pressure (vessel design) shall be 103.4 barg @ 343°C (1500 psig @ 650°F). Maximum operating pressure shall be 68.9 barg @ 285°C (1000 psig @ 546°F).

ST-175-1. CD-82S Allowable Pressure/Temperature



All dimensions and weights are approximate. Use certified print for exact dimensions. Design and materials are subject to change without notice.