



Armstrong Wedge Flow Meter

Accurate Measurement for Challenging Fluids

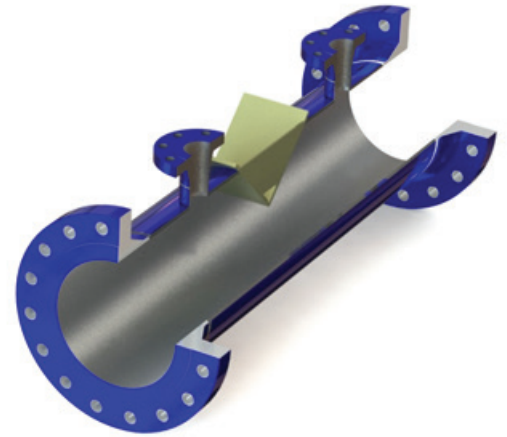
Armstrong's Wedge Meter imparts all the benefits of differential pressure measurement in difficult fluid applications. The meter can be used with high viscosity fluids, slurries, asphalt, tar-sands, fracking fluids, spent water, sludge, bottoms flow, cement, or other contaminated or abrasive fluids.

Within the cylindrical meter body, an embedded wedge constricts flow and produces a differential pressure. The subsequent measurement from the meter can be accurate to $\pm 0.5\%$ and $\pm 0.2\%$ repeatability. This includes measurements throughout the operating range and low Reynolds numbers.

Wedge & WedgeX Key Features

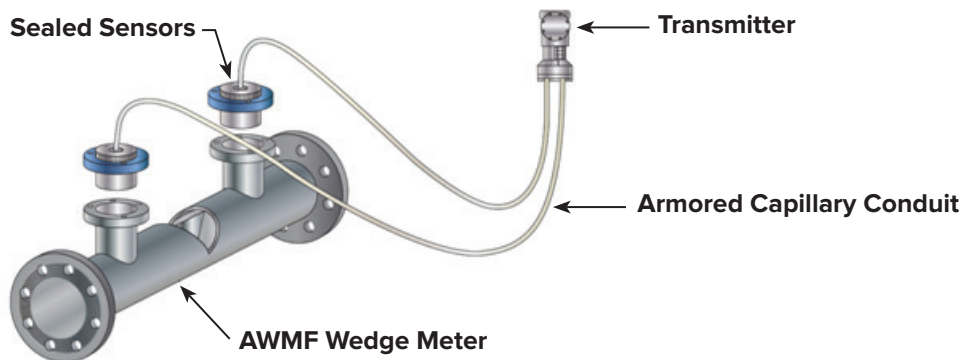
- $\pm 0.5\%$ accuracy, $\pm 0.2\%$ repeatability
- Available in virtually any line size
- Numerous materials of construction including: 316SS, 304SS, CS, Hastelloy, Monel, and PVC
- Flanged ends, threaded ends, weld ends, mechanical joint, and other connection types available
- Working pressure limitations per ANSI B16.5

Straight Run Requirements	Preferred		Minimum	
	Up	Down	Up	Down
Concentric expander/reducer	10D	5D	5D	3D
One elbow	10D	5D	5D	3D
Two elbows in-plane	10D	5D	5D	3D
Two elbows out-of-plane	10D	5D	10D	3D
Partially open gate valve	10D	5D	10D	3D



AWMF Wedge Meter

Typical Meter Configuration





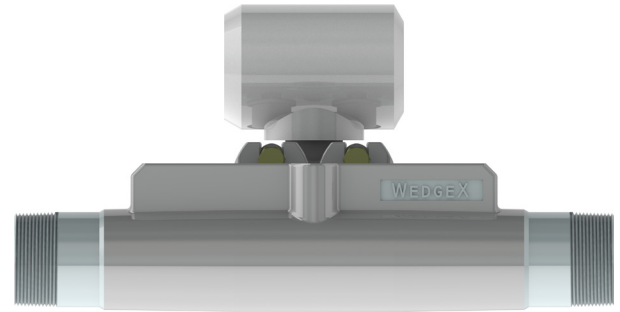
Armstrong WedgeX Flow Meter

Wedge Meter Benefits in a Compact Design

The Armstrong WedgeX meter utilizes the same technology and benefits inherent with a traditional wedge meter all within a compact, cost effective unit. The direct coupling of the transmitter to the pressure taps virtually eliminates measurement errors caused by the gauge line or plugged taps.

The WedgeX holds the same advantages in accuracy, performance, construction, and fluid capabilities as the standard wedge meter.

Wedge Meter Model Codes	
AWMF	Wedge Meter, Flanged
AWMT	Wedge Meter, Threaded
AWMWFR	Wedge Meter, Wafer
AWMV	Wedge Meter, Victaulic
AWMW	Wedge Meter, Butt Weld
AWX	WedgeX, Studs & O-Rings
AWXT	WedgeX, Threaded
AWXT3V	WedgeX, Threaded, 3-Valve Manifold
AWXTT3V	WedgeX, Threaded, Transmitter, 3-Valve Manifold
AWXTT	WedgeX, Threaded, Transmitter
AWXTHTT	WedgeX, Threaded, High Temp, Transmitter
AWXF	WedgeX, Flanged
AWXF3V	WedgeX, Flanged, 3-Valve Manifold
AWXF3V	WedgeX, Flanged, Transmitter, 3-Valve Manifold
AWXF3V	WedgeX, Flanged, Transmitter
AWXFHTT	WedgeX, Flanged, High Temp, Transmitter
AWXW	WedgeX, Wafer
AWXW3V	WedgeX, Wafer, 3-Valve Manifold
AWXWT3V	WedgeX, Wafer, Transmitter, 3-Valve Manifold
AWXWT	WedgeX, Wafer, Transmitter
AWXWHTT	WedgeX, Wafer, High Temp, Transmitter
AWXV	WedgeX, Victaulic
AWXV3V	WedgeX, Victaulic, 3-Valve Manifold
AWXVT3V	WedgeX, Victaulic, Transmitter, 3-Valve Manifold
AWXVT	WedgeX, Victaulic, Transmitter
AWXVHTT	WedgeX, Victaulic, High Temp, Transmitter



AWXTT WedgeX Meter