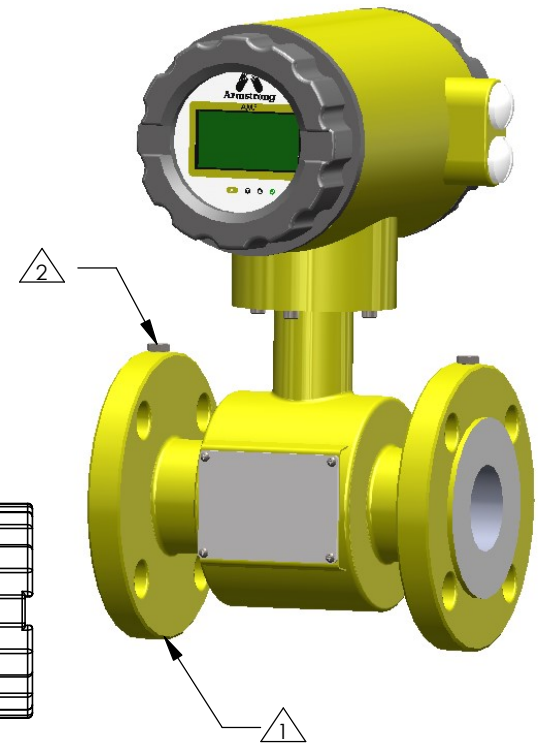
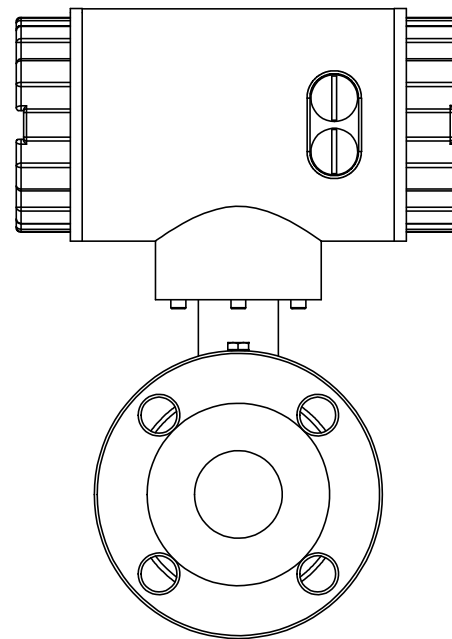
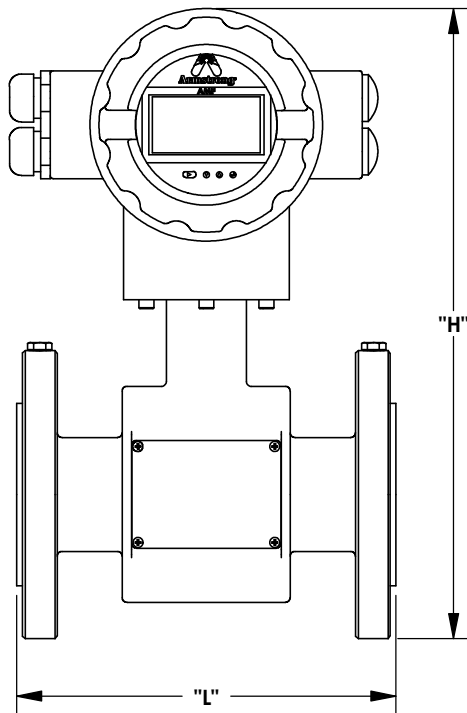


METER SIZE (IN)	ANSI RATING	"L" (IN)	"H" (IN)	WEIGHT (LBS)
1/2	150	7.87	10.79	17
	300	7.87	10.94	19
3/4	150	7.87	10.98	19
	300	7.87	11.38	23
1	150	7.87	11.18	20
	300	7.87	11.50	28
1-1/4	150	7.87	11.38	23
	300	7.87	11.69	29
1-1/2	150	7.87	11.77	24
	300	7.87	12.32	36
2	150	7.87	12.56	29
	300	7.87	12.83	36
2-1/2	150	7.87	13.35	33
	300	7.87	13.62	45
3	150	7.87	13.94	37
	300	7.87	14.33	51
4	150	9.57	15.04	42
	300	9.57	15.55	74
5	150	9.84	15.94	51
	300	9.84	16.46	82
6	150	11.81	17.05	62
	300	11.81	17.80	95
8	150	13.78	19.45	79
	300	13.78	20.24	177
10	150	17.72	22.40	112
	300	17.72	23.15	244
12	150	19.69	24.88	156
	300	19.69	25.63	337
14	150	21.65	26.93	180
	300	21.65	27.95	438
16	150	23.62	29.13	218
	300	23.62	30.16	543
18	150	23.62	30.94	251
	300	23.62	32.44	599
20	150	23.62	33.19	295
	300	23.62	34.69	715
24	150	23.62	37.60	361
	300	23.62	39.61	1074



NOTES:

- 1 INTERGRAL FLOWMETER
- 2 1/4"-20 UNC FLANGE TAPS FOR GROUNDING.
- 3. OFFERED IN 150# AND 300# FLANGES.
- 4. CARBON STEEL BODY AND FLANGES.



VERIS Flow Measurement Group  
 armstronginternational.com/veris

ARMSTRONG  
 ELECTROMAGNETIC FLOWMETER

5820 Glacier Way  
 Frederick, CO 80516 USA

Phone: (303) 652-8550  
 Fax: (303) 652-8552

DATE:  
 10/20/2019

DWG. NO.  
 AMF-INTEGRAL

SCALE: NTS

REV: A PAGE 1 OF 1