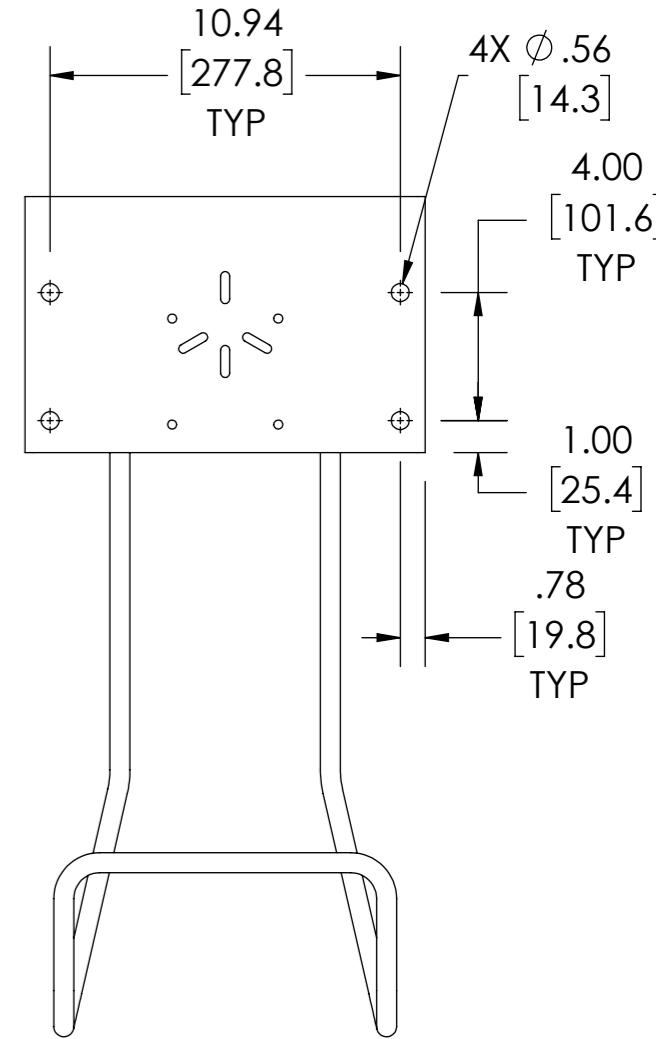
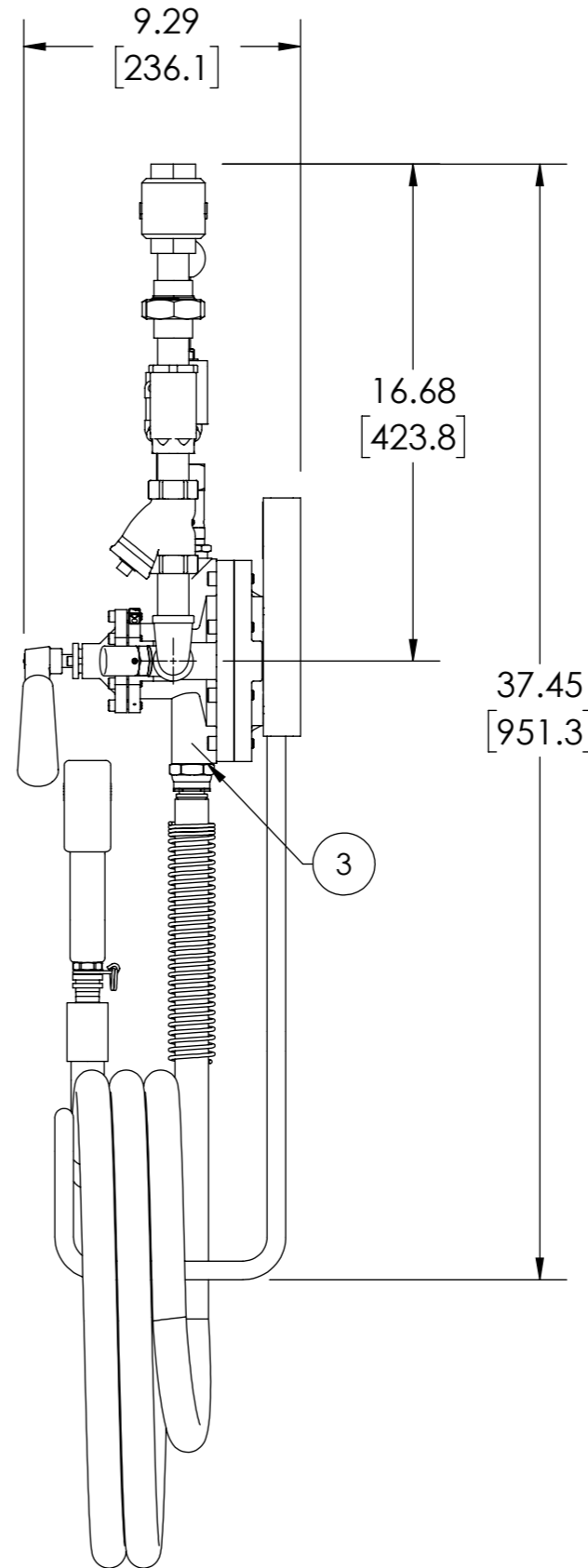
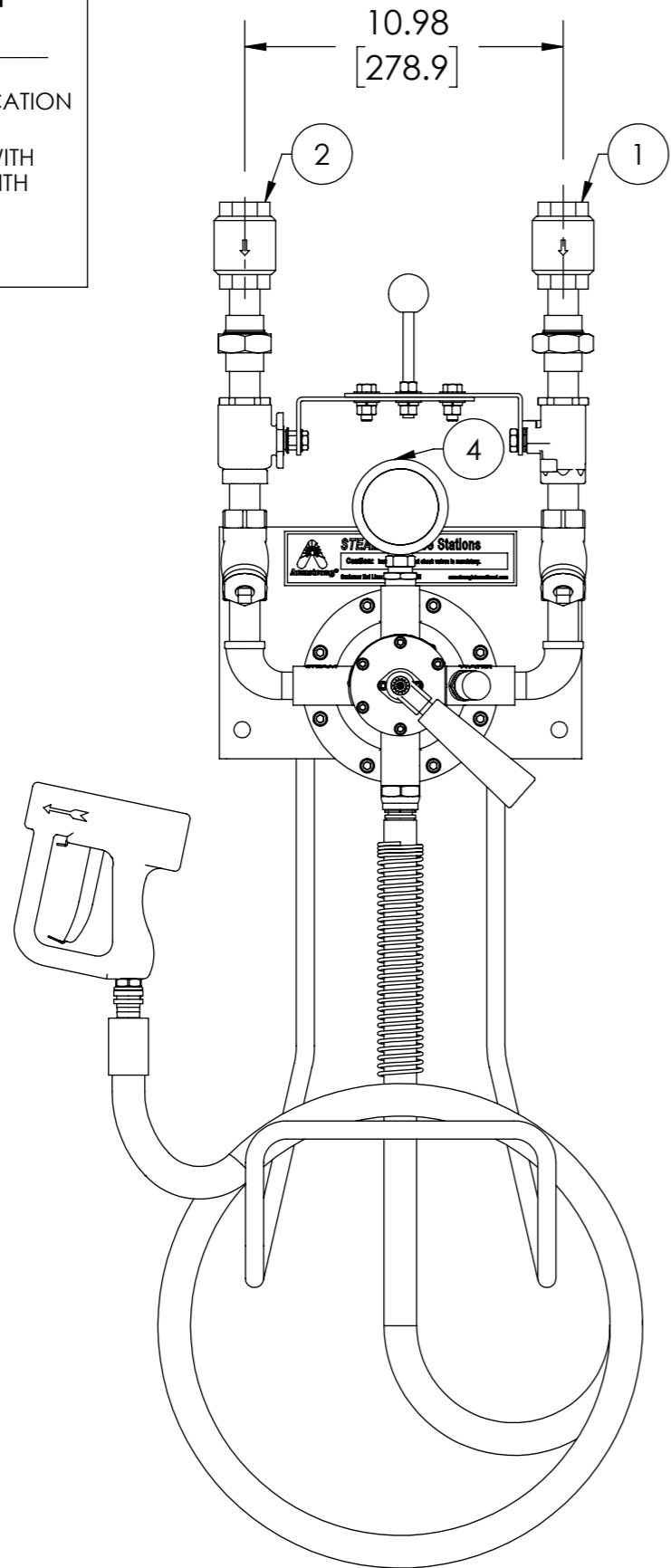


APPROVAL

BY: _____ DATE: _____

- APPROVED, PROCEED WITH FABRICATION
- APPROVED AS NOTED, PROCEED WITH FABRICATION IN ACCORDANCE WITH COMMENTS
- DISAPPROVED, DO NOT FABRICATE

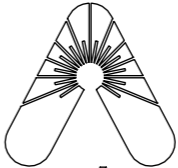


HOSE RACK
HOLE LOCATIONS

ITEM	DESCRIPTION	CONNECTION
1	WATER INLET	3/4" NPT
2	STEAM INLET	3/4" NPT
3	HOT WATER OUTLET	3/4" NPT
4	THERMOMETER	1/2" NPT
ITEM	MATERIAL	
MIXING VALVE BODY	STAINLESS STEEL	
COMPONENTS	STAINLESS STEEL	
BACKPLATE/RACK	STAINLESS STEEL	
HOSE	YELLOW(212F[100C])	
NOZZLE	STAINLESS STEEL	

NOTE(S):
1. REFERENCE ARMSTRONG DRAWING D31130

DO NOT SCALE DRAWING TOLERANCES UNLESS OTHERWISE SPECIFIED	
DIMENSIONING ENGLISH [mm]	
FRACTIONAL ± 1/64 ANGULAR: ± 2	
DECIMAL	IN. MM
.XXXX ± .0005	-----
.XXX ± .005	.010
.XX ± .015	.10
.X	.3


Armstrong[®]

	NAME	DATE
DRAWN	CFG	5/18/2015
RELEASED		

ARMSTRONG INTERNATIONAL
 Copyright © 2010 ARMSTRONG INTERNATIONAL, INC.
2033-25 SS

MATERIAL	REV C	SHEET 1 OF 1
CWF60207		SALES