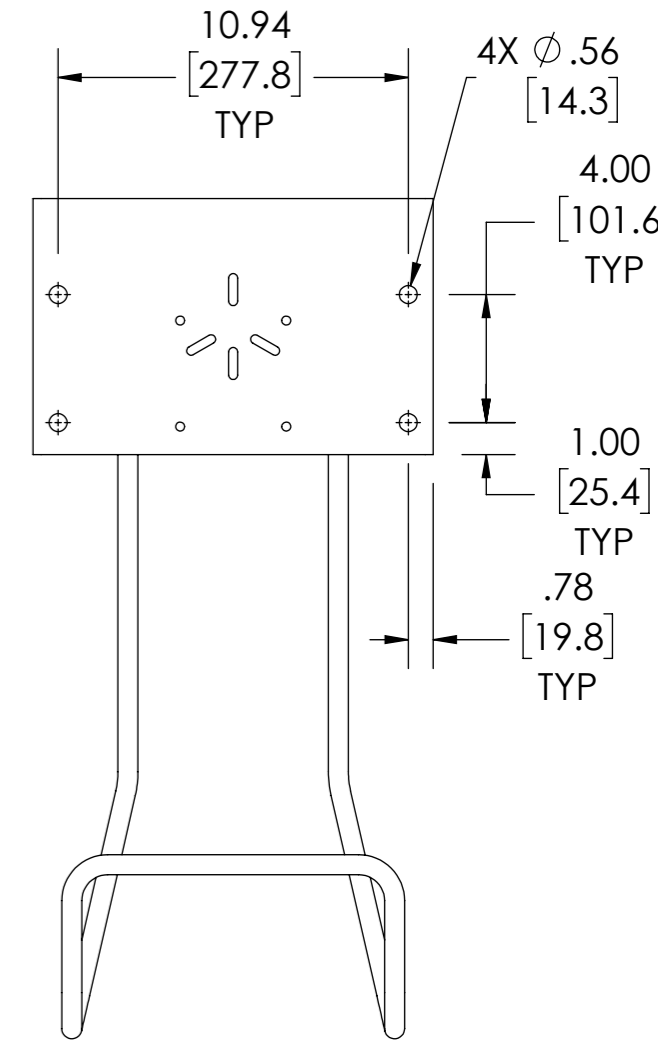
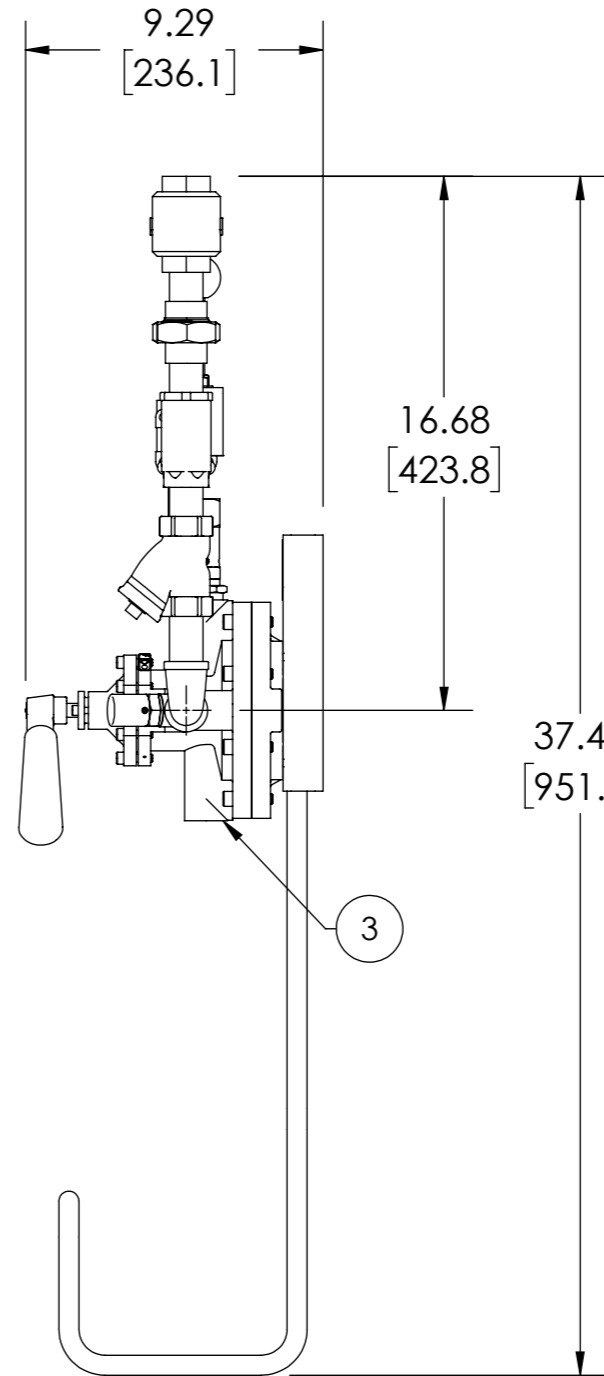
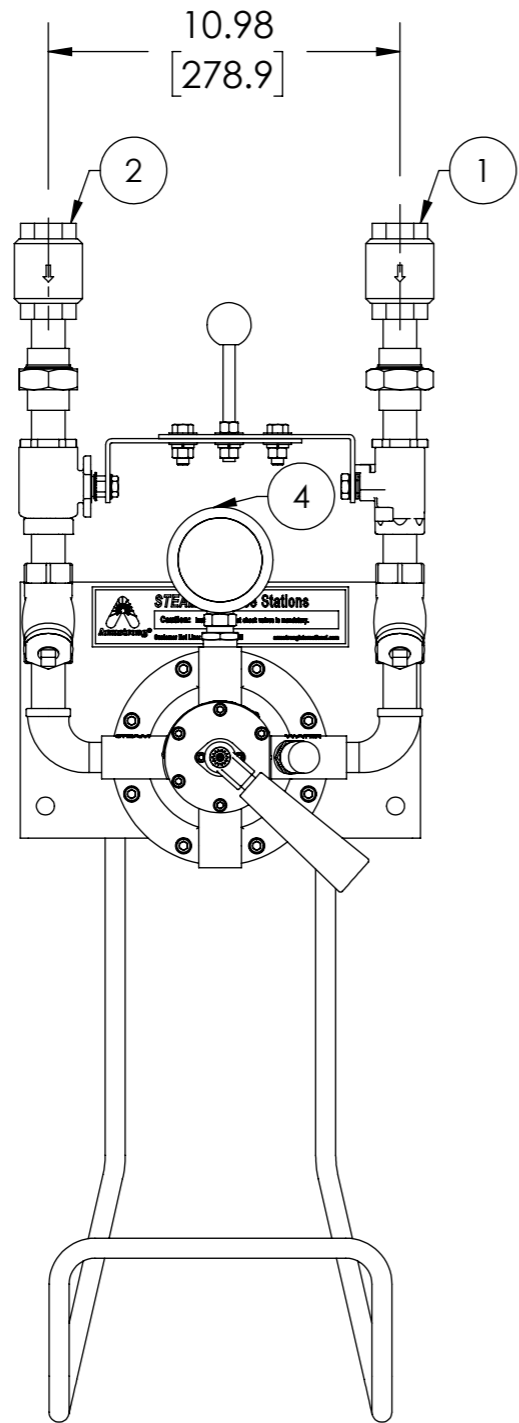


APPROVAL

BY: _____ DATE: _____

- APPROVED, PROCEED WITH FABRICATION
- APPROVED AS NOTED, PROCEED WITH FABRICATION IN ACCORDANCE WITH COMMENTS
- DISAPPROVED, DO NOT FABRICATE



HOSE RACK
HOLE LOCATIONS

ITEM	DESCRIPTION	CONNECTION
1	WATER INLET	3/4" NPT
2	STEAM INLET	3/4" NPT
3	HOT WATER OUTLET	3/4" NPT
4	THERMOMETER	1/2" NPT
ITEM	MATERIAL	
MIXING VALVE BODY	STAINLESS STEEL	
COMPONENTS	STAINLESS STEEL	
BACKPLATE/RACK	STAINLESS STEEL	
HOSE	N/A	
NOZZLE	N/A	

NOTE(S):
1. REFERENCE ARMSTRONG DRAWING D31129

DO NOT SCALE DRAWING	
TOLERANCES UNLESS OTHERWISE SPECIFIED	
DIMENSIONING ENGLISH [mm]	
FRACTIONAL ± 1/64	
ANGULAR: ± 2	
DECIMAL	IN. MM
.XXXX ±	.0005 .010
.XXX ±	.005 .010
.XX ±	.015 .10
.X	.3

Armstrong[®]

	NAME	DATE
DRAWN	CFG	5/18/2015
RELEASED		

ARMSTRONG INTERNATIONAL
 Copyright © 2010 ARMSTRONG INTERNATIONAL, INC.

2032 SS

MATERIAL	REV C	SHEET 1 OF 1
CWF60207		SALES