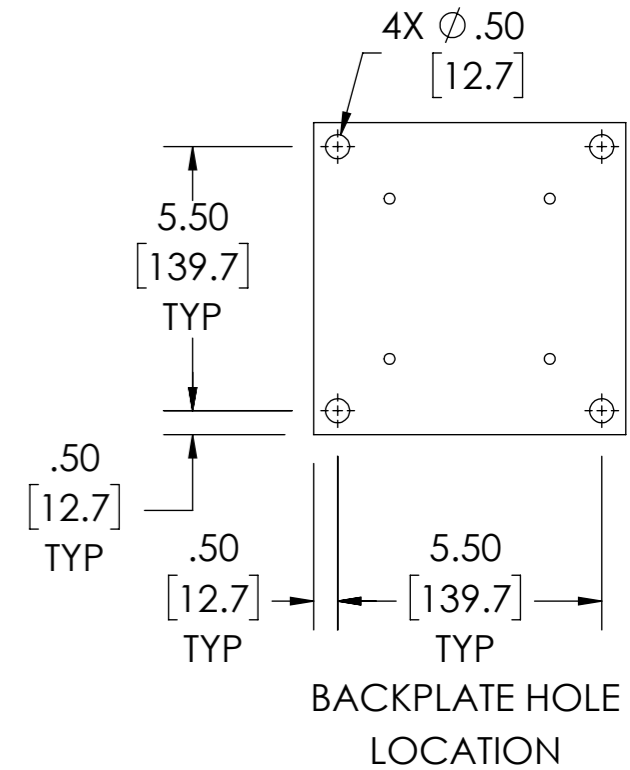
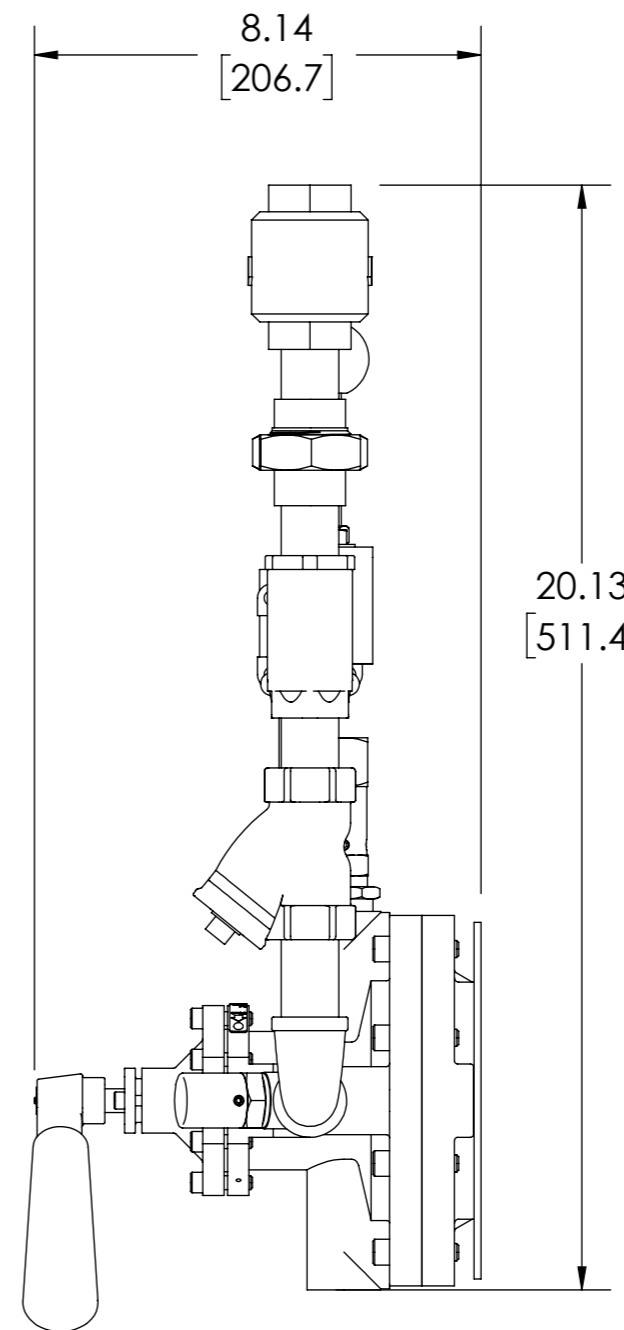
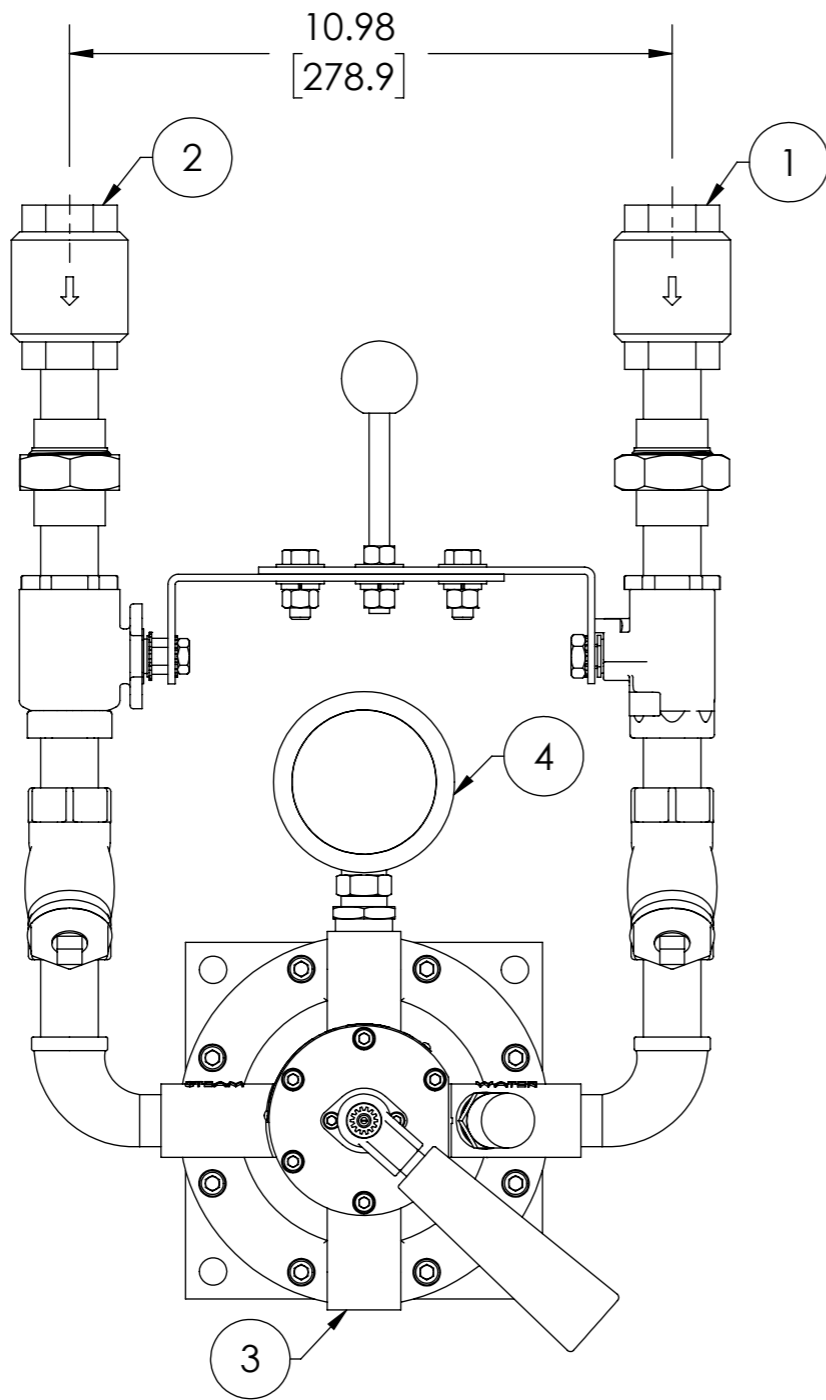


APPROVAL

BY: _____ DATE: _____

- APPROVED, PROCEED WITH FABRICATION
- APPROVED AS NOTED, PROCEED WITH FABRICATION IN ACCORDANCE WITH COMMENTS
- DISAPPROVED, DO NOT FABRICATE



ITEM	DESCRIPTION	CONNECTION
1	WATER INLET	3/4" NPT
2	STEAM INLET	3/4" NPT
3	HOT WATER OUTLET	3/4" NPT
4	THERMOMETER	1/2" NPT
ITEM	MATERIAL	
MIXING VALVE BODY	STAINLESS STEEL	
COMPONENTS	STAINLESS STEEL	
BACKPLATE/RACK	STAINLESS STEEL	
HOSE	N/A	
NOZZLE	N/A	

DO NOT SCALE DRAWING	
TOLERANCES UNLESS OTHERWISE SPECIFIED	
DIMENSIONING ENGLISH [mm]	
FRACTIONAL $\pm 1/64$	
ANGULAR: ± 2	
DECIMAL	IN. MM
.XXXX \pm .0005	----
.XXX \pm .005	.010
.XX \pm .015	.10
.X	.3

NAME DATE

DRAWN CFG 5/18/2015

RELEASED

ARMSTRONG INTERNATIONAL
Copyright © 2010 ARMSTRONG INTERNATIONAL, INC.

2031 SS

MATERIAL CWF60207

REV C

SHEET 1 OF 1

SALES

NOTE(S):
1. REFERENCE ARMSTRONG DRAWING D31128