

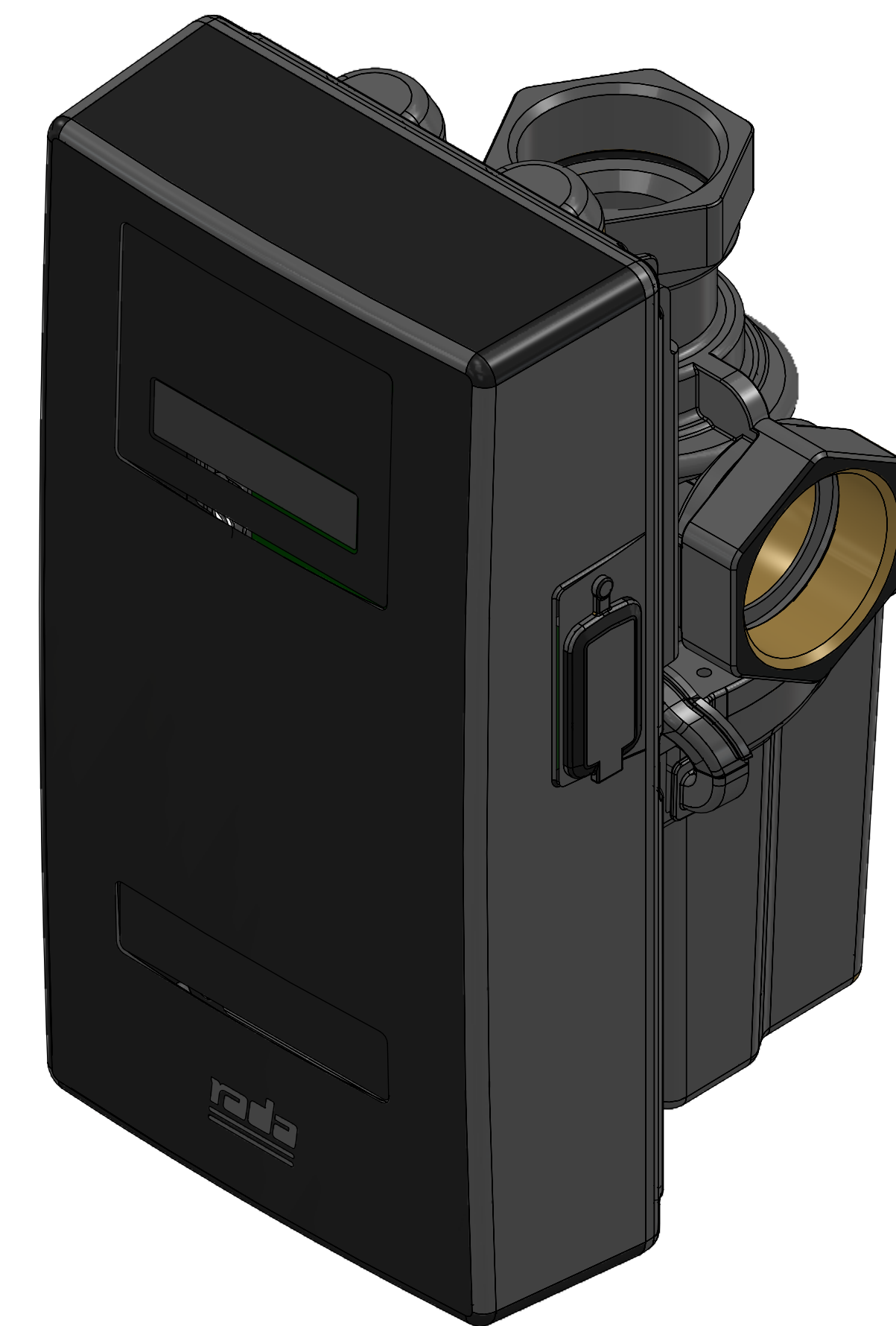
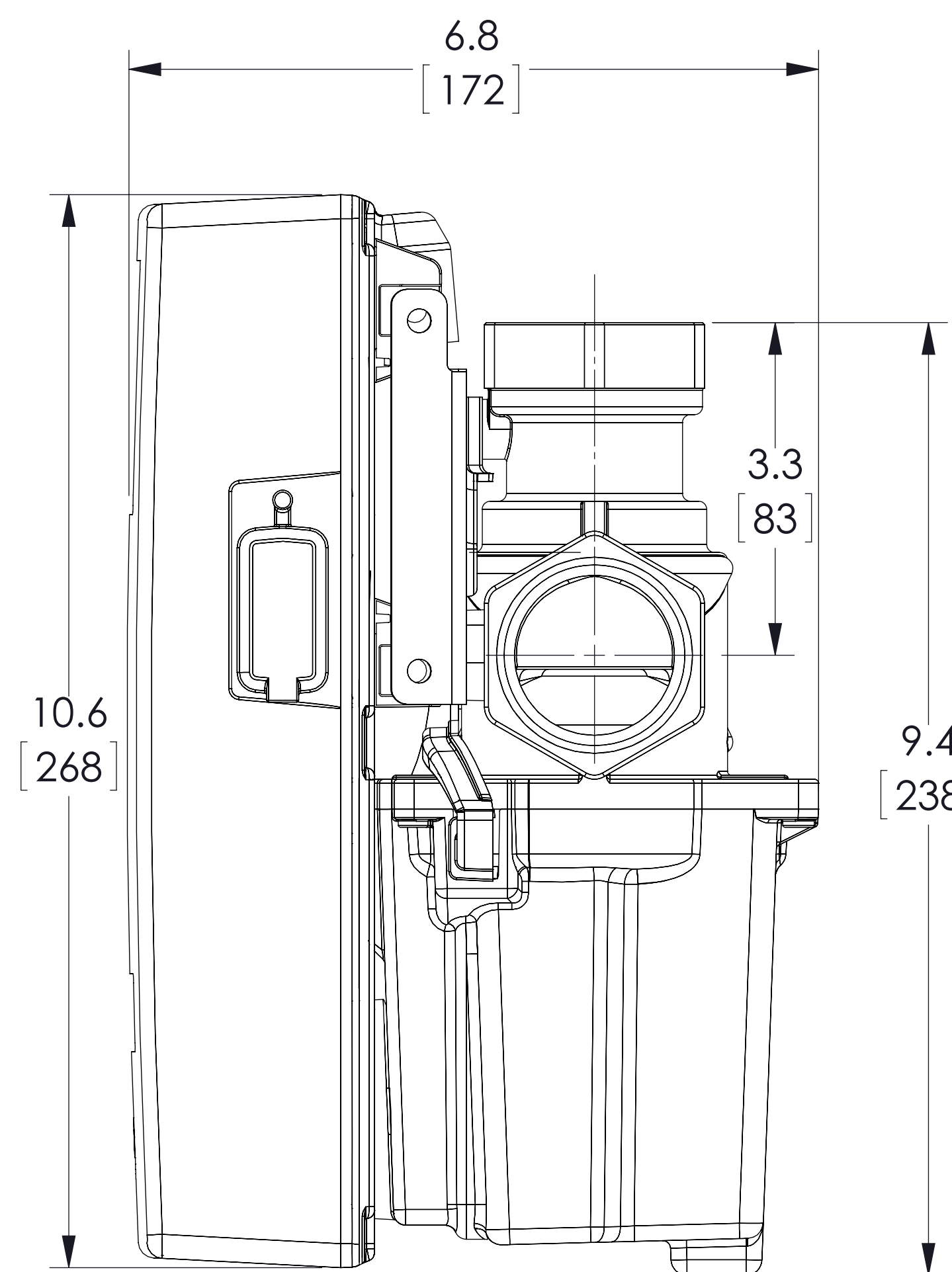
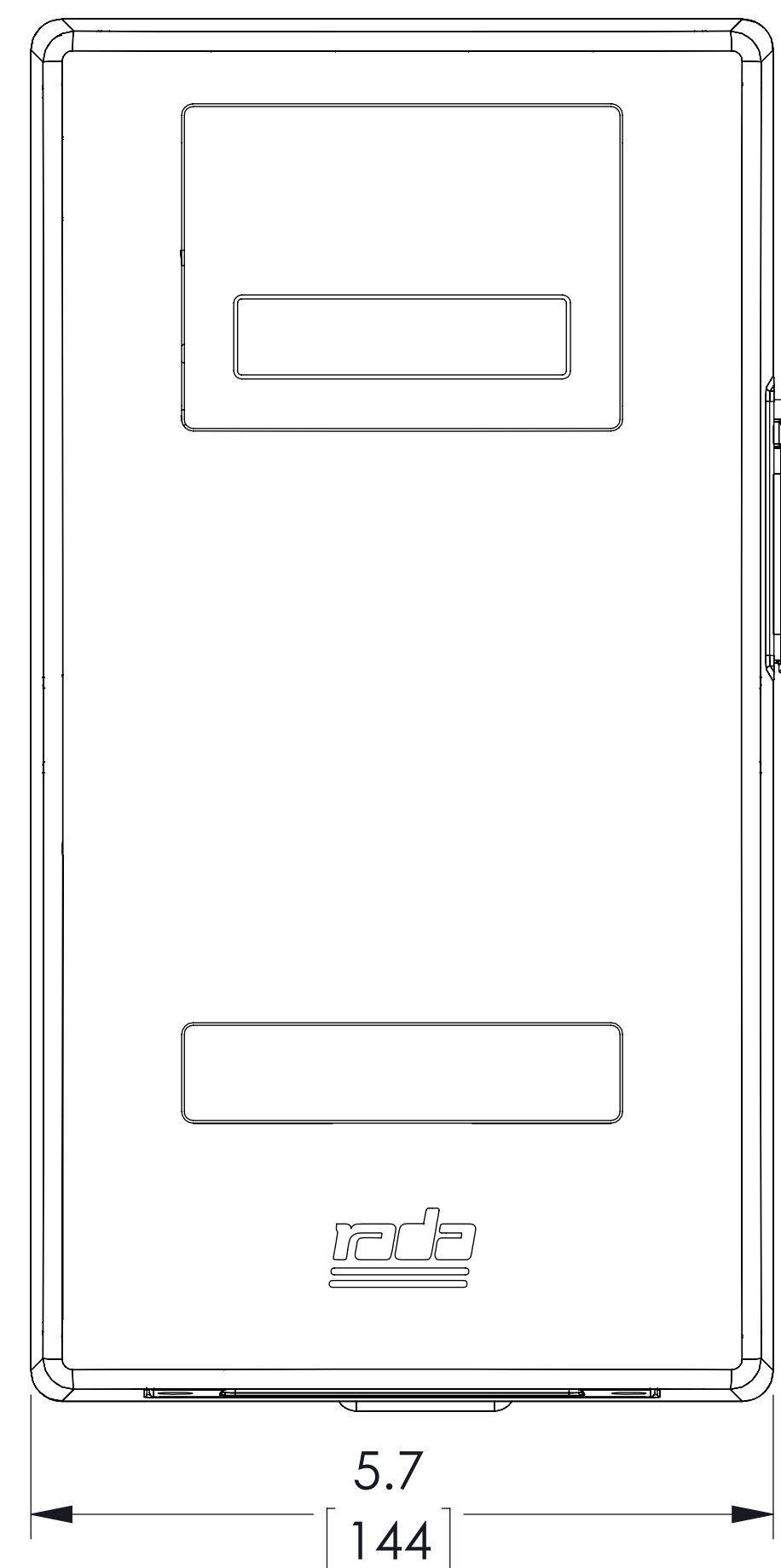
MIXED WATER  
OUTLET  
1-1/2 NPT


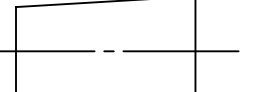



HOT WATER  
INLET  
1-1/2 NPT



COLD WATER  
INLET  
1-1/2 NPT



 				<b>ARMSTRONG INTERNATIONAL</b> Copyright © 2010 ARMSTRONG INTERNATIONAL, INC.																			
DO NOT SCALE DRAWING TOLERANCES UNLESS OTHERWISE SPECIFIED DIMENSIONING ENGLISH [mm]				<b>DRV40</b>																			
FRACTIONAL ± 1/64 ANGULAR: ± 2				MATERIAL																			
<table border="1"> <tr> <th>DECIMAL</th> <th>IN.</th> <th>MM</th> </tr> <tr> <td>.XXXX ±</td> <td>.0005</td> <td>----</td> </tr> <tr> <td>.XXX ±</td> <td>.005</td> <td>.010</td> </tr> <tr> <td>.XX ±</td> <td>.015</td> <td>.10</td> </tr> <tr> <td>.X</td> <td>-----</td> <td>.3</td> </tr> </table>		DECIMAL	IN.	MM	.XXXX ±	.0005	----	.XXX ±	.005	.010	.XX ±	.015	.10	.X	-----	.3	<table border="1"> <tr> <th>NAME</th> <th>DATE</th> </tr> <tr> <td>Shane Russell</td> <td>04/20/2012</td> </tr> </table>	NAME	DATE	Shane Russell	04/20/2012	CN34880	SHEET 1 OF 2
DECIMAL	IN.	MM																					
.XXXX ±	.0005	----																					
.XXX ±	.005	.010																					
.XX ±	.015	.10																					
.X	-----	.3																					
NAME	DATE																						
Shane Russell	04/20/2012																						
		REV D	DWG. D41578																				