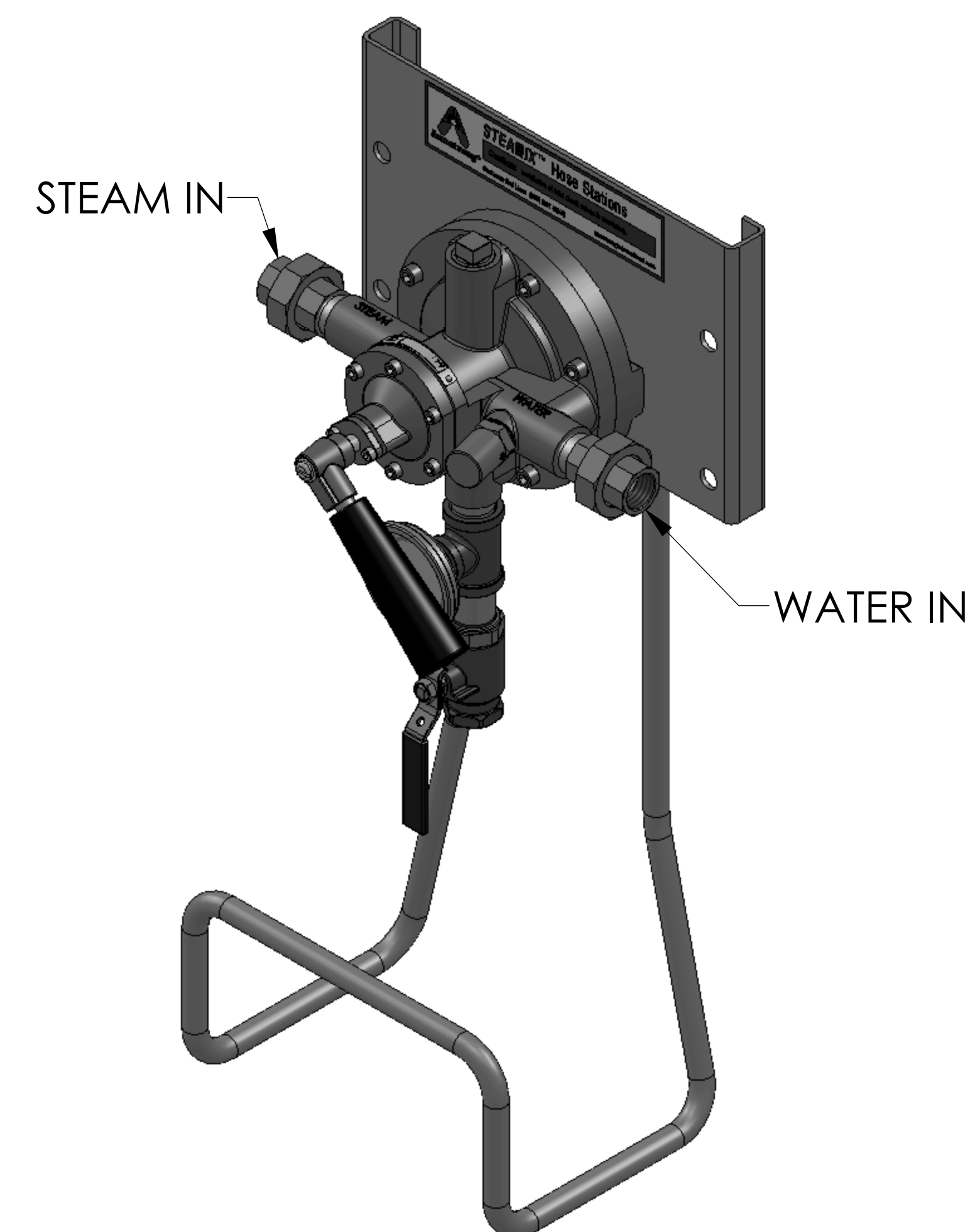
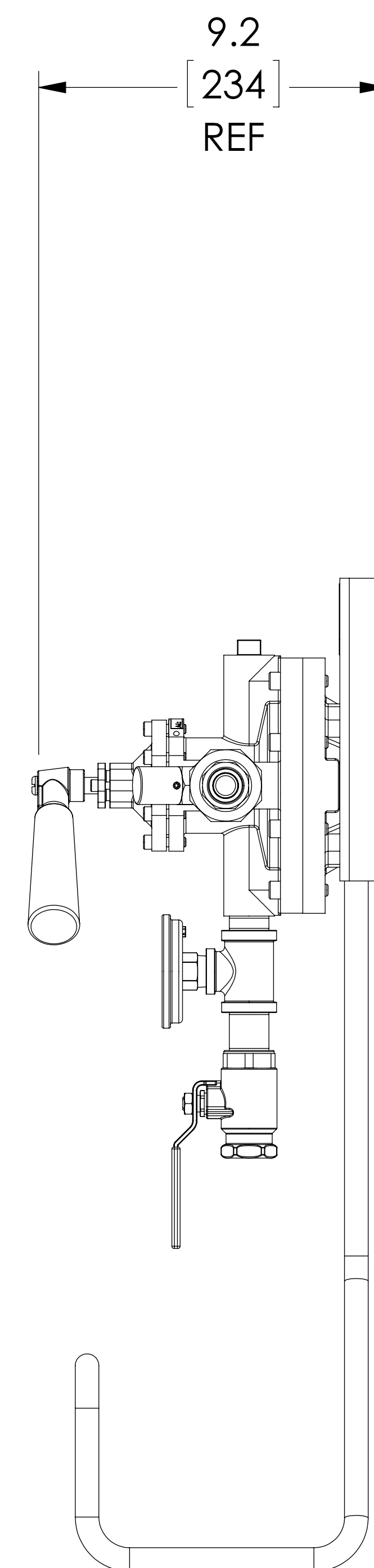
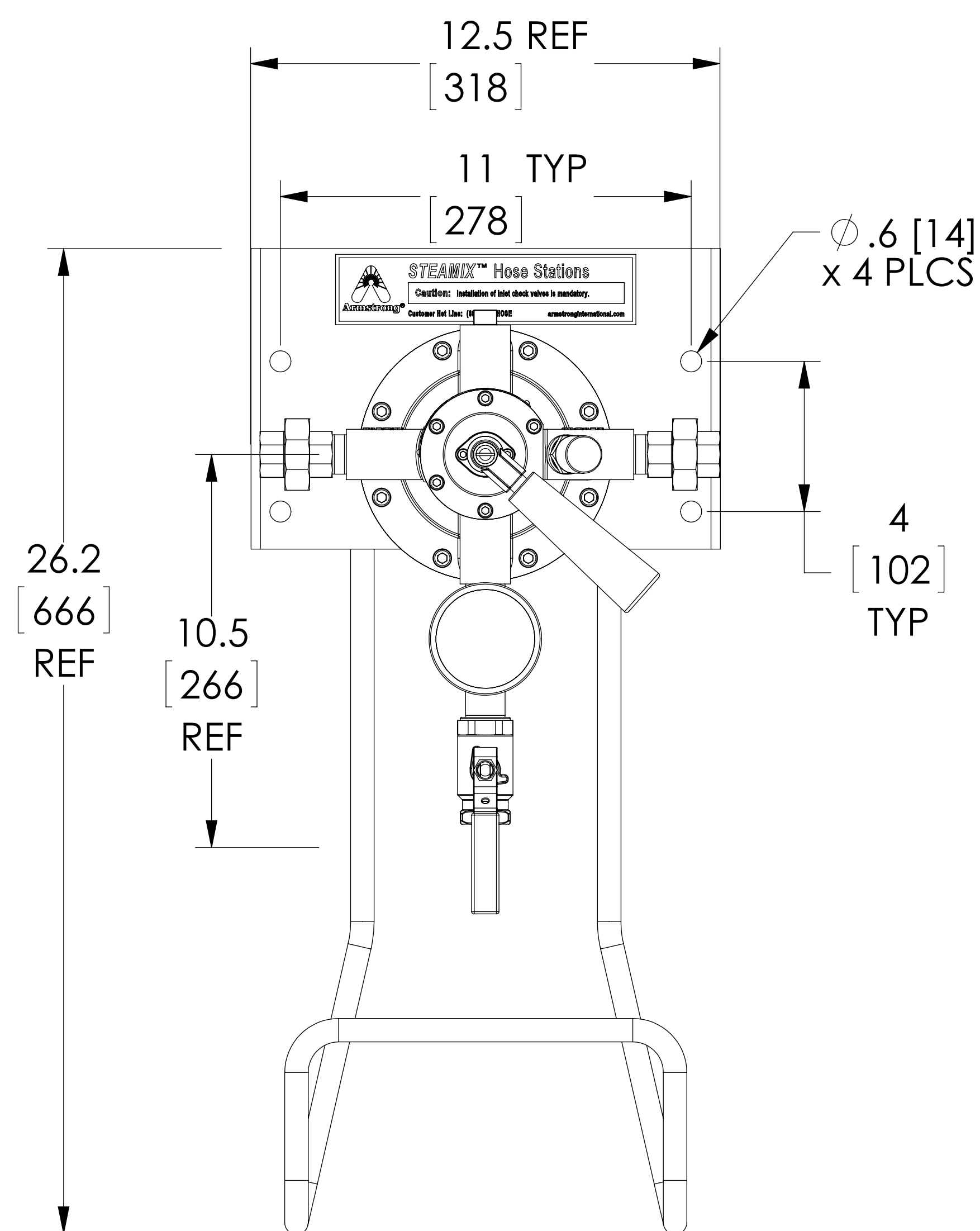


ITEM	MATERIAL
MIXING VALVE BODY	BRASS/STAINLESS STEEL
COMPONENTS	BRASS
BACKPLATE / RACK	STAINLESS STEEL
HOSE	N/A
NOZZLE	N/A
LOCATION	CONNECTION
STEAM IN CONNECTION	3/4" NPT
WATER IN CONNECTION	3/4" NPT
OUTLET	3/4" NPT



DO NOT SCALE DRAWING	
TOLERANCES UNLESS OTHERWISE SPECIFIED	
DIMENSIONING ENGLISH [mm]	
FRACTIONAL ± 1/64	
ANGULAR: ± 2	
DECIMAL	IN. MM
.XXX ± .005	.10
.XX ± .015	.10
.X ± .3	.3

Armstrong®

	NAME	DATE
DRAWN	CFG	
RELEASED		

ARMSTRONG INTERNATIONAL
 Copyright © 2010 ARMSTRONG INTERNATIONAL, INC.

2032 STEAMIX HOSE STATION STANDARD
 w/HOSE RACK

C-055842

MATERIAL	SHEET 1 OF 1
REV A	DWG. D16945