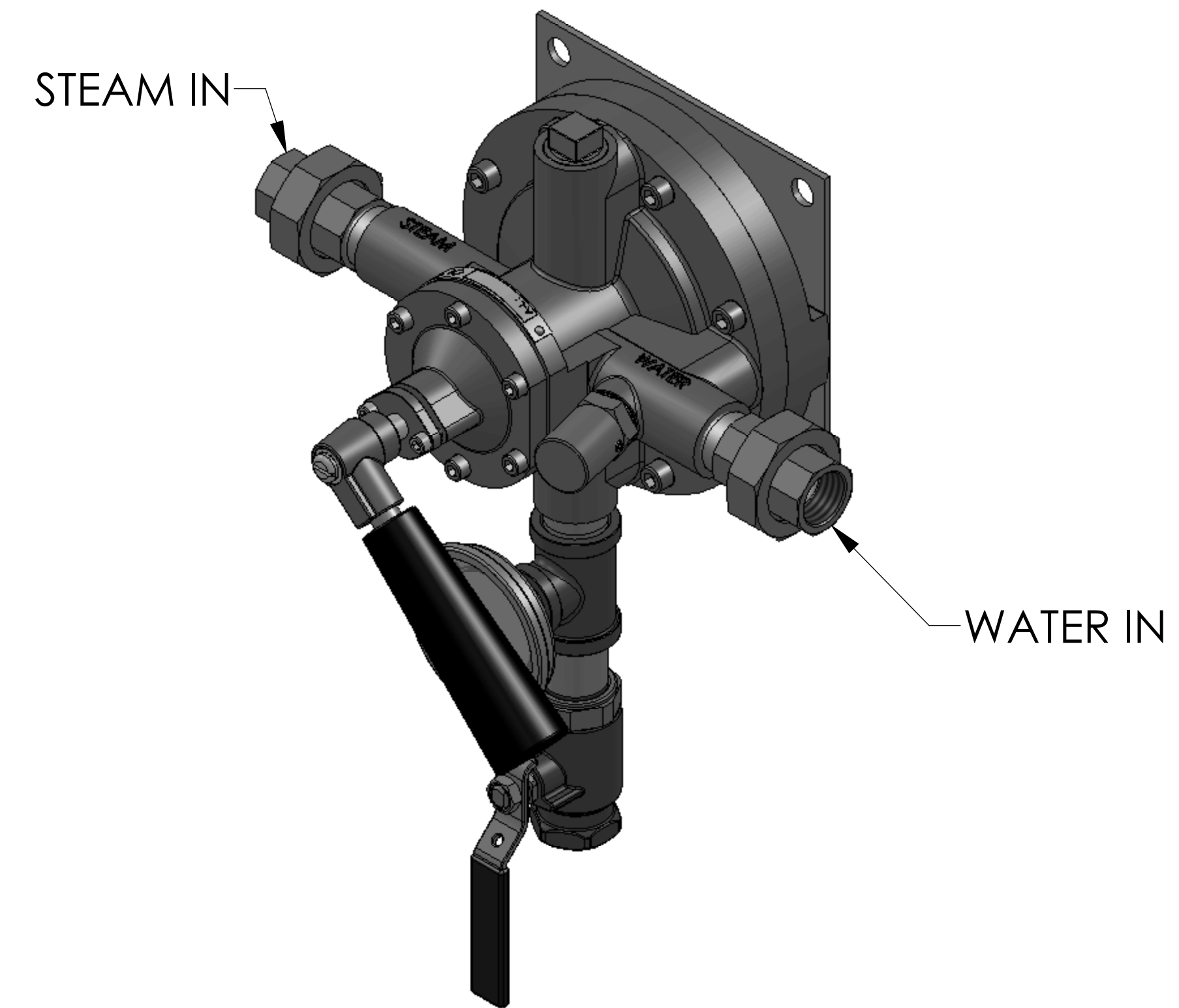
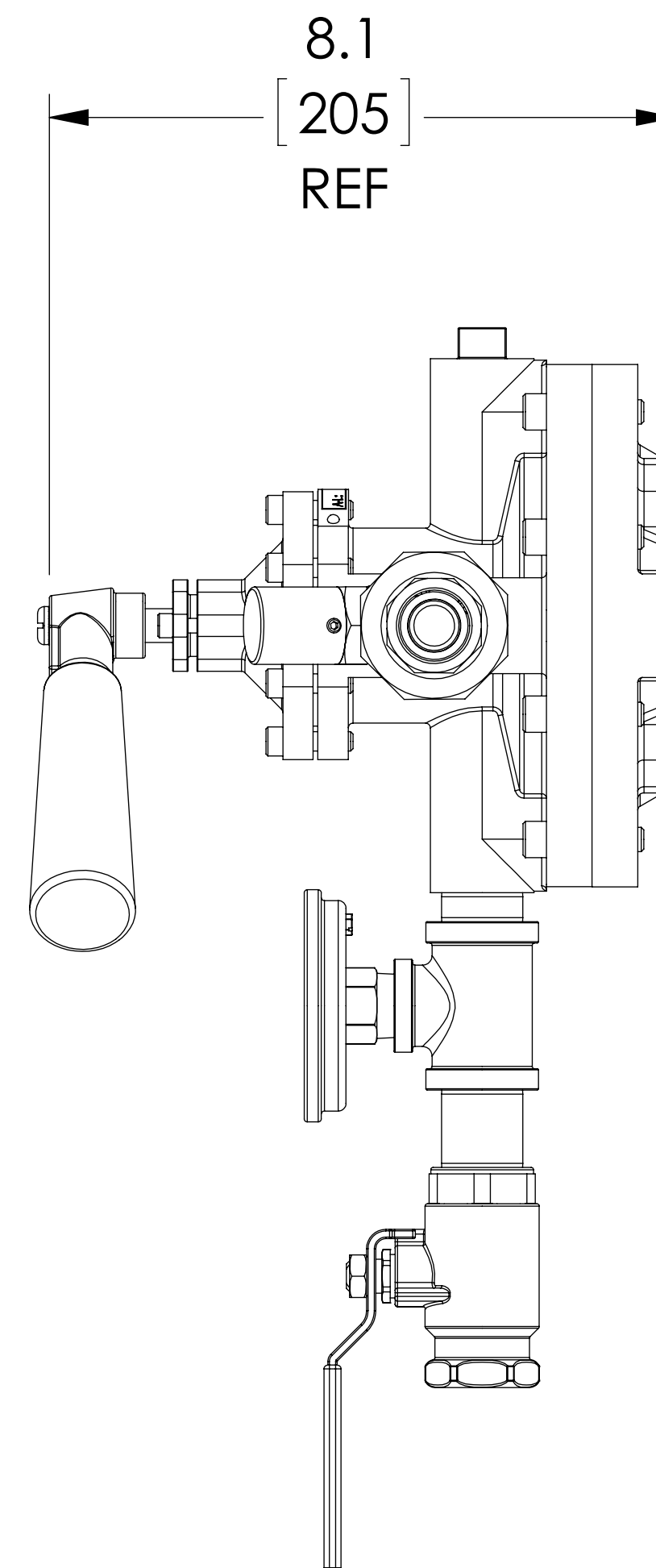
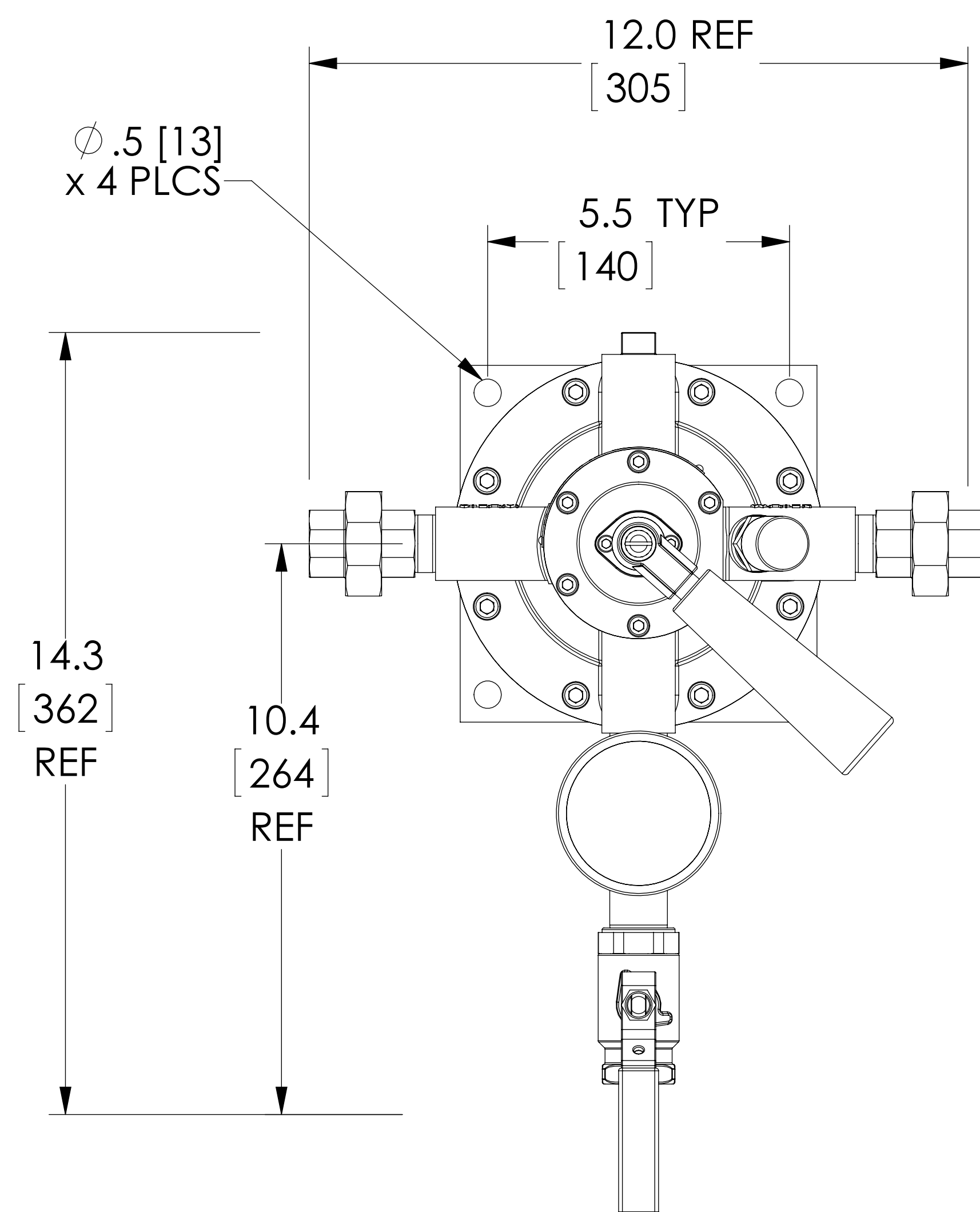


ITEM	MATERIAL
MIXING VALVE BODY	BRASS/STAINLESS STEEL
COMPONENTS	BRASS
BACKPLATE / RACK	STAINLESS STEEL
HOSE	N/A
NOZZLE	N/A
LOCATION	CONNECTION
STEAM IN CONNECTION	3/4" NPT
WATER IN CONNECTION	3/4" NPT
OUTLET	3/4" NPT



DO NOT SCALE DRAWING	
TOLERANCES UNLESS OTHERWISE SPECIFIED	
DIMENSIONING ENGLISH [mm]	
FRACTIONAL	± 1/64
ANGULAR:	± 2
DECIMAL	.XXXX ± .0005
	.XXX ± .005
	.XX ± .015
	.X ± .3

		NAME	DATE
DRAWN	CFG		
RELEASED			

<b>ARMSTRONG INTERNATIONAL</b> Copyright © 2010 ARMSTRONG INTERNATIONAL, INC.	
2031 3/4 NPT BRS STANDARD	
C-055841	
MATERIAL	SHEET 1 OF 1
REV A	DWG. D16944