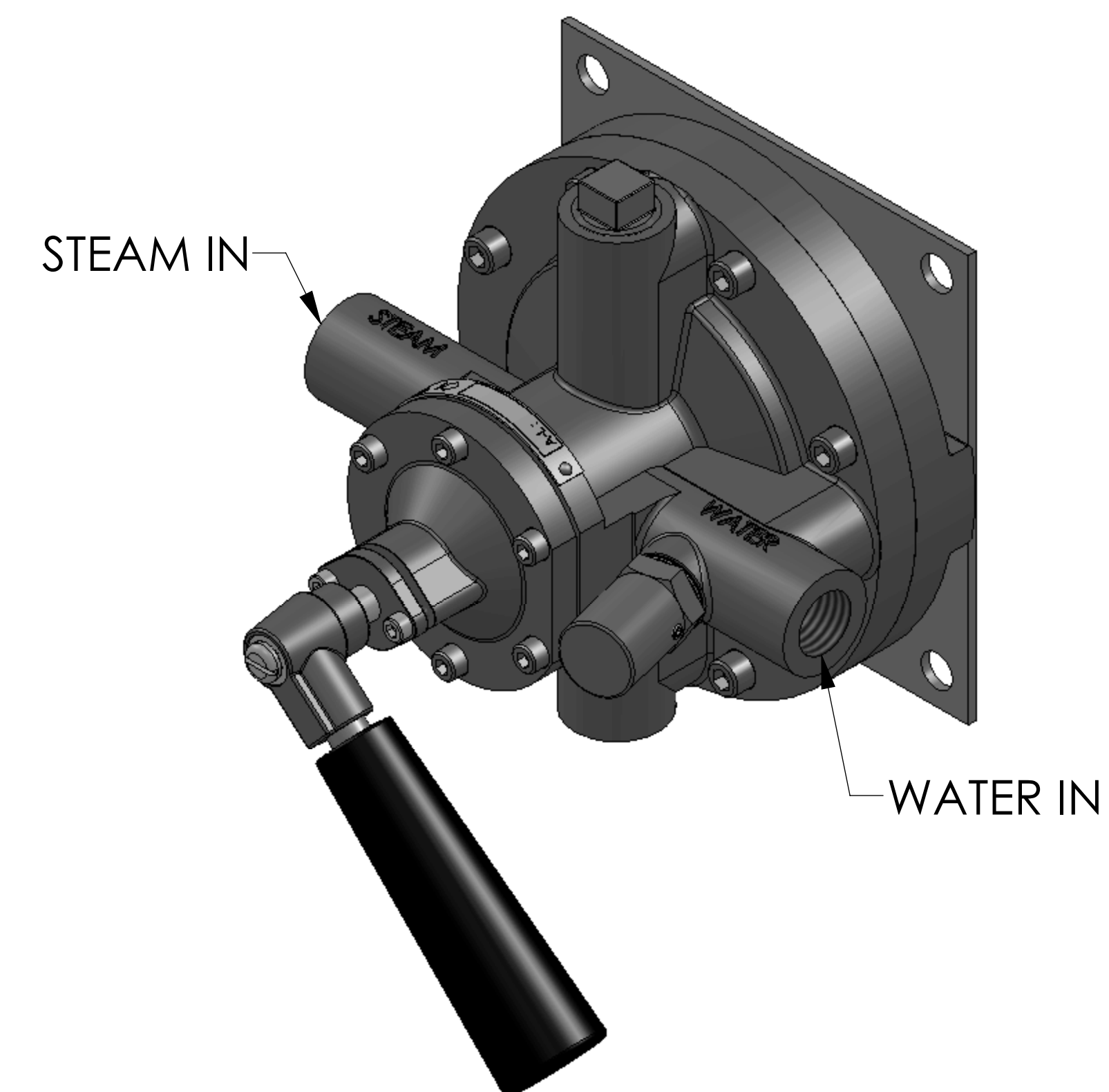
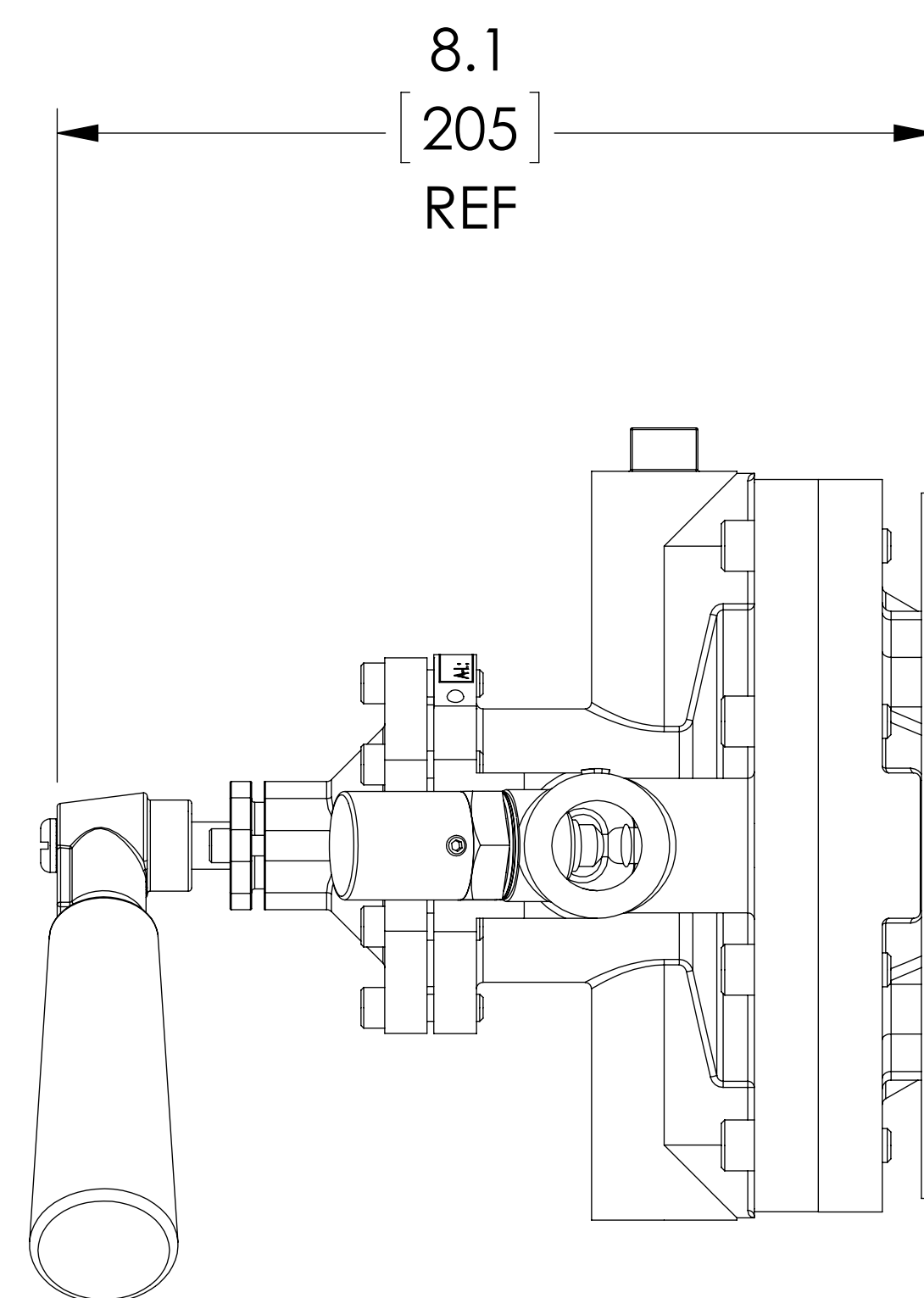
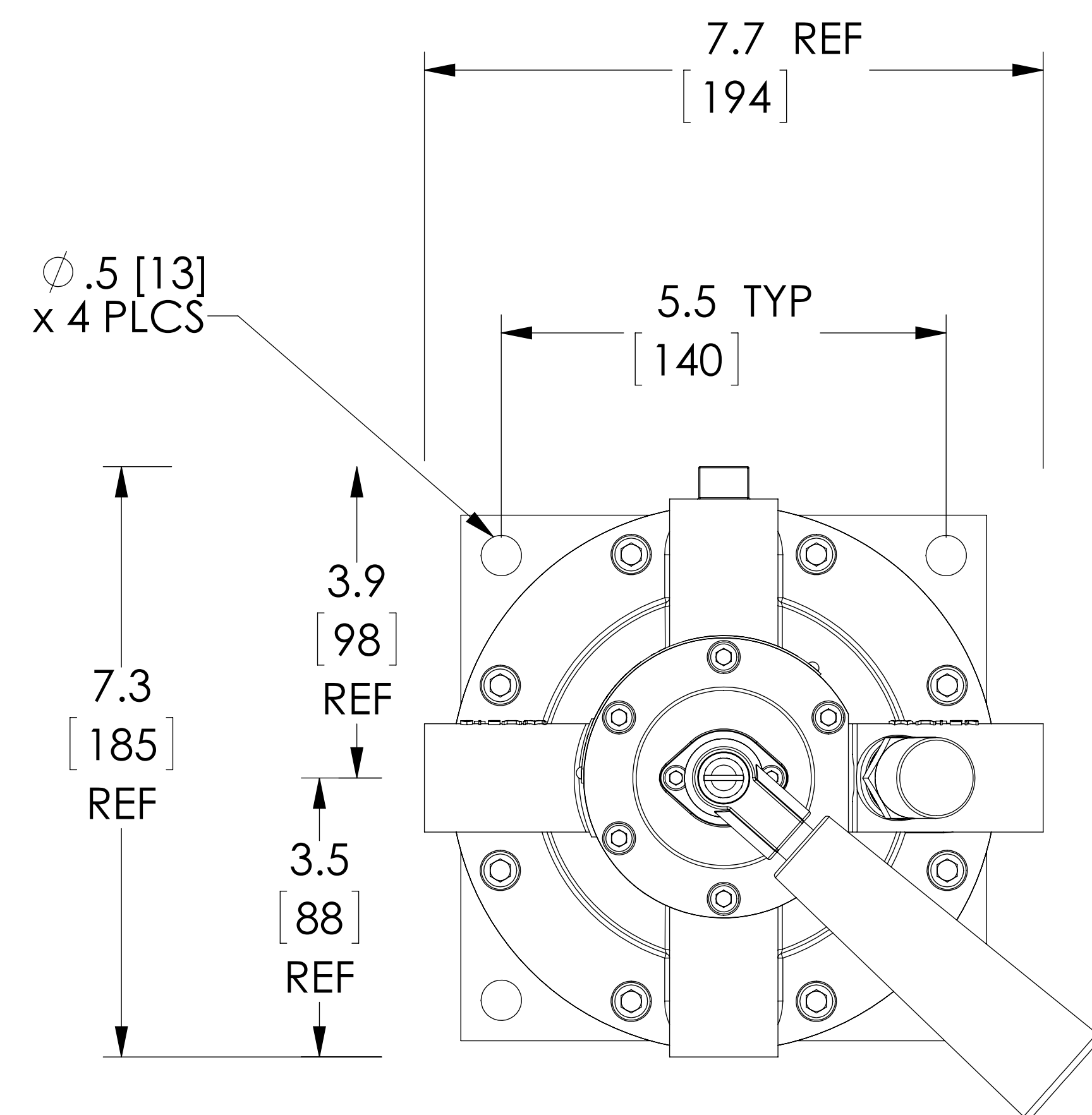
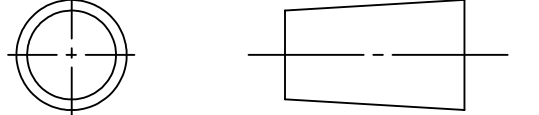



| | |
|---------------------|-----------------------|
| ITEM | MATERIAL |
| MIXING VALVE BODY | BRASS/STAINLESS STEEL |
| COMPONENTS | N/A |
| BACKPLATE / RACK | STAINLESS STEEL |
| HOSE | N/A |
| NOZZLE | N/A |
| | |
| LOCATION | CONNECTION |
| STEAM IN CONNECTION | 3/4" NPT |
| WATER IN CONNECTION | 3/4" NPT |
| OUTLET | 3/4" NPT |



| | |
|---|------------|
|  | |
| DO NOT SCALE DRAWING | |
| TOLERANCES UNLESS OTHERWISE SPECIFIED | |
| DIMENSIONING ENGLISH [mm] | |
| FRACTIONAL $\pm 1/64$ | |
| ANGULAR: ± 2 | |
| DECIMAL | IN. MM |
| .XXXX \pm | .0005 .010 |
| .XXX \pm | .005 .010 |
| .XX \pm | .015 .10 |
| .X | .3 |

| | | | |
|---|-----|------|------|
|  | | | |
| | | NAME | DATE |
| DRAWN | CFG | | |
| RELEASED | | | |

| | |
|--|--------------|
| ARMSTRONG INTERNATIONAL Copyright © 2010 ARMSTRONG INTERNATIONAL, INC. | |
| 2030 3/4 NPT BRS | |
| C-055839 | |
| MATERIAL | SHEET 1 OF 1 |
| REV A | DWG. D16943 |