

DIMENSIONS & DATA CERTIFIED FOR:

Representative:

Order:

Customer:

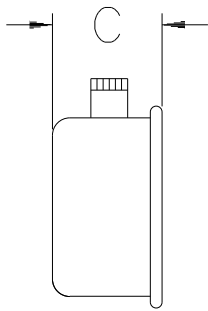
Order:

Project:

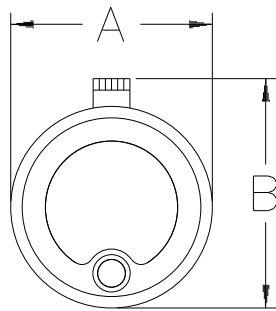
Requirements:

By:

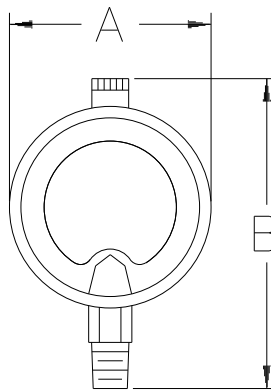
Date:



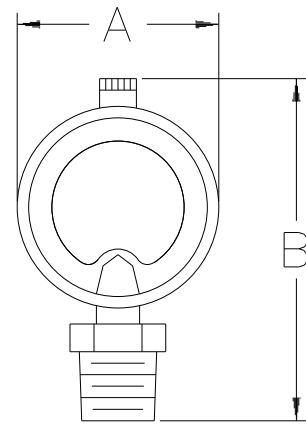
TYPICAL
SIDE VIEW



ANGLE
AIR VENT



STRAIGHT
AIR VENT



STRAIGHT MAIN
AIR VENT

Model	Angle Connection	Straight Connection	Straight Main Connection
Pipe Conn.	1/8" [6]	1/8" 1/4" [6] [8]	1/2" 3/4" [15] [20]
"A"	2-3/16" [56mm]	2-3/16" [56mm]	2-3/16" [56mm]
"B"	2-5/16" [59mm]	3-1/4" [83mm]	3-1/2" [89mm]
"C"	1-3/16" [30mm]	1-3/16" [30mm]	1-3/16" [30mm]
Maximum Operating Pressure	15 psig [1 bar]	15 psig [1 bar]	15 psig [1 bar]
Vent Port Designation and Port Size	4 = .040" [1mm] 5 = .070" [1.7mm] 6 = .0935" [2.37mm] C = .1285" [3.26mm] D = .1850" [4.70mm]		1 = .1850" [4.70mm]
	Each Air Vent is provided with all five (5) of the above Vent Ports		Only one (1) Vent is provided.

Materials	
Body	Nickel Plated Brass
Float	Polypropylene
Valve Seat	Brass
Bi-Metal Thermostatic Element	Stainless Steel


 Armstrong Pressure/Temperature Group
 221 Armstrong Blvd.,
 Three Rivers, MI. 49093
Armstrong (269) 279-3600 Fax(269) 273-8656
 Posted on Armstrong's homepage www.armstrong-intl.com

Product	CDY No.	Date
SV-12	1042	3/06/98
		Rev. A