

DIMENSIONS & DATA CERTIFIED FOR:

Representative:

Order:

Customer:

Order:

Project:

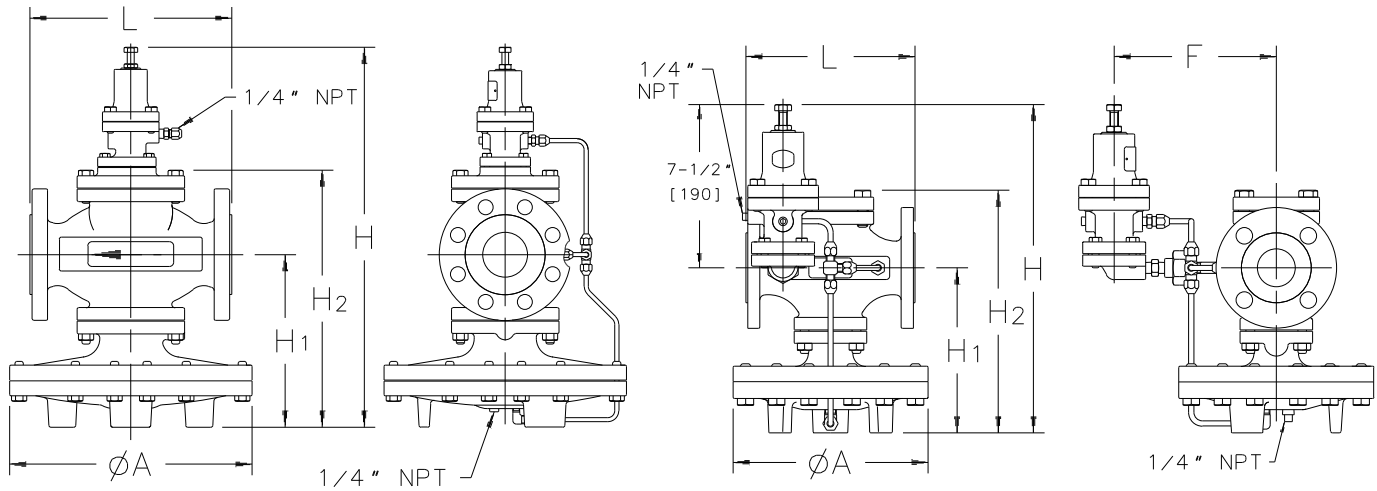
Requirements:

By:

Date:

INTEGRAL MOUNT

REMOTE MOUNT



Dimensions & Weights

SIZE	Flange Class	L	A	F	H Integral	H Remote	H1	H2	Weight	Cv [Kv]
2" [50]	150	8-9/16" [217mm]	10-15/16" [278mm]	7-3/4" [197mm]	21-3/8" [543mm]	17-1/2" [444mm]	8-1/2" [216mm]	12-5/8" [321mm]	81 lbs. [37 kgs]	32
	300	9-1/8" [232mm]							84 lbs. [38 kgs]	[28]
2-1/2" [65]	150	10-15/16" [278mm]	13-13/16" [351mm]	8-5/16" [211mm]	23-7/8" [606mm]	18-13/16" [478mm]	9-13/16" [249mm]	14-3/4" [375mm]	142 lbs. [64 kgs]	60
	300	11-1/2" [292mm]							150 lbs. [68 kgs]	[52]
3" [80]	150	11-3/4" [298mm]	13-13/16" [351mm]	8-3/4" [222mm]	23-7/8" [606mm]	19-7/16" [494mm]	10-7/16" [265mm]	15-3/4" [400mm]	155 lbs. [70 kgs]	78
	300	12-7/16" [316mm]							166 lbs. [75 kgs]	[67]
4" [100]	150	13-1/2" [343mm]	15-13/16" [402mm]	9-7/16" [240mm]	28-3/8" [721mm]	21-5/8" [549mm]	12-5/8" [321mm]	19-1/4" [489mm]	247 lbs. [112 kgs]	120
	300	14-1/8" [359mm]							264 lbs. [120 kgs]	[104]

NOTE: 2" thru 4" standard in integral mount.



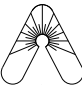
Armstrong Pressure/Temperature Group
221 Armstrong Blvd.,
Three Rivers, MI. 49093
Armstrong (269) 279-3600 Fax(269) 273-8656
Posted on Armstrong's homepage www.armstrong-intl.com

Product	CDY No.	Date
GP-2000R FLANGED CONNECTIONS	1019	2/18/98
		Rev. A

Specifications					
Application	Inlet Pressure	Reduced Pressure	Spring Color Code	Maximum Temperature	Minimum Differential
Steam	CL. 150 FLG. 15-185 psig [1-12.6 bar]	*1.5-3 psig [.1-.2 bar]	YELLOW	450 °F [232 °C]	7 psig [.48 bar]
		3-21 psig [.2-1.4 bar]	YELLOW		
	CL. 300 FLG. 15-300 psig [1-20.4 bar]	15-200 psig [1-13.6 bar]	GREEN		

Note: *When using this spring range, remove one (1) pilot diaphragm.
Capacities are reduced by 1/2 of capacity chart when this spring is being used.

List Of Materials	
Body	Ductile Iron ASTM A536
Main Valve/Seat	Stainless Steel AISI 420
Pilot Valve/Seat	Stainless Steel AISI 420
Diaphragm	Stainless Steel AISI 301

 Armstrong Pressure/Temperature Group 221 Armstrong Blvd., Three Rivers, MI. 49093 Armstrong (269) 279-3600 Fax(269) 273-8656 Posted on Armstrong's homepage www.armstrong-intl.com		
Product	CDY No.	Date
GP-2000R FLANGED CONNECTIONS	1019	2/19/98
		Rev. A