

# DIMENSIONS & DATA CERTIFIED FOR:

Representative:

Order:

Customer:

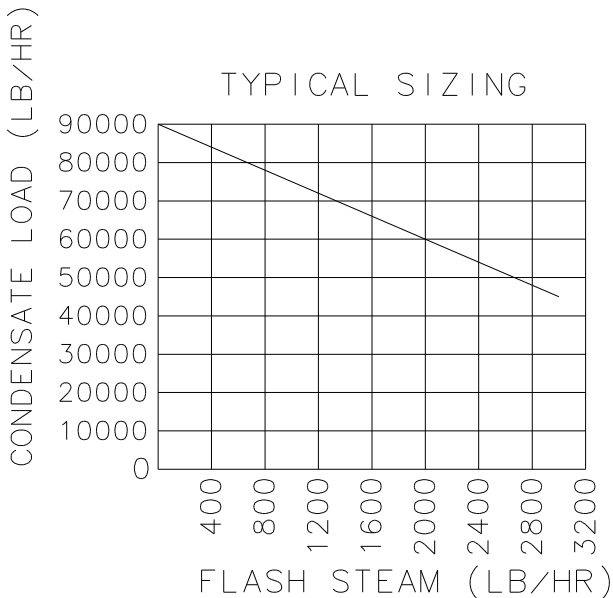
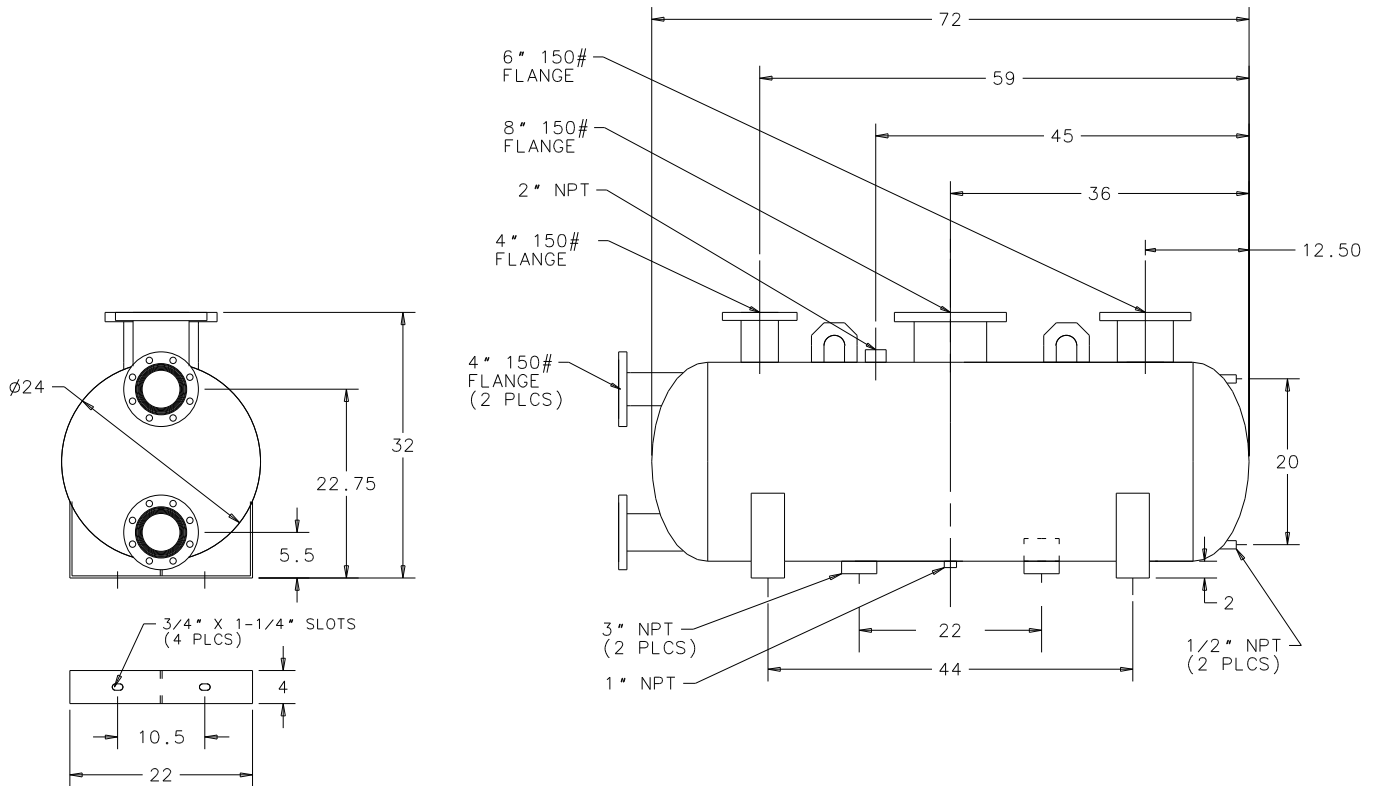
Order:

Project:

Requirements:


By:

Date:



**NOTES:**

1. ASME SEC VIII "U" STAMPED FOR 150 PSI, +FV
2. TEMP RATING -20 TO 550 F
3. APPROX VOLUME 130 GALLONS
4. MAX FLASH LOAD 3,000 LB/HR



Armstrong Condensate Management Group  
 Three Rivers, MI. 49093  
 Telephone (269) 279-3601  
 Fax (269) 279-3150  
 Posted on [www.armstronginternational.com](http://www.armstronginternational.com)

Product	CDF No.	Date
R-2472 HORIZONTAL FLASH TANK	CDF 1100	7/28/06
		Rev. A