

# DIMENSIONS & DATA CERTIFIED FOR:

Representative:

Order:

Customer:

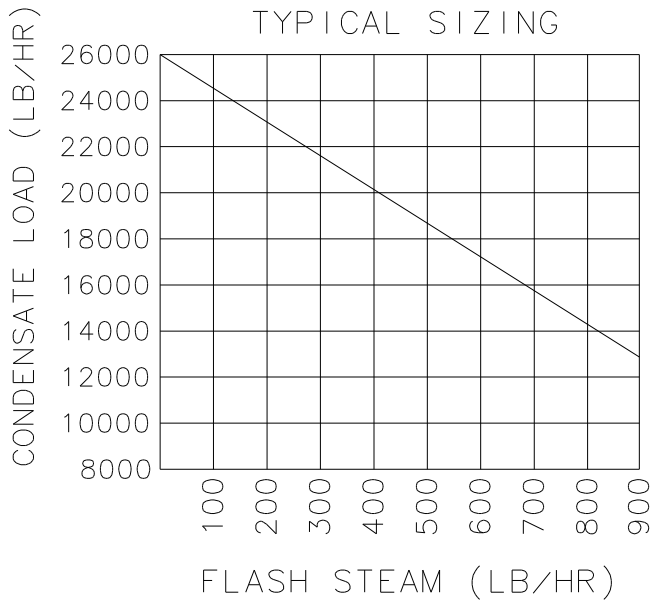
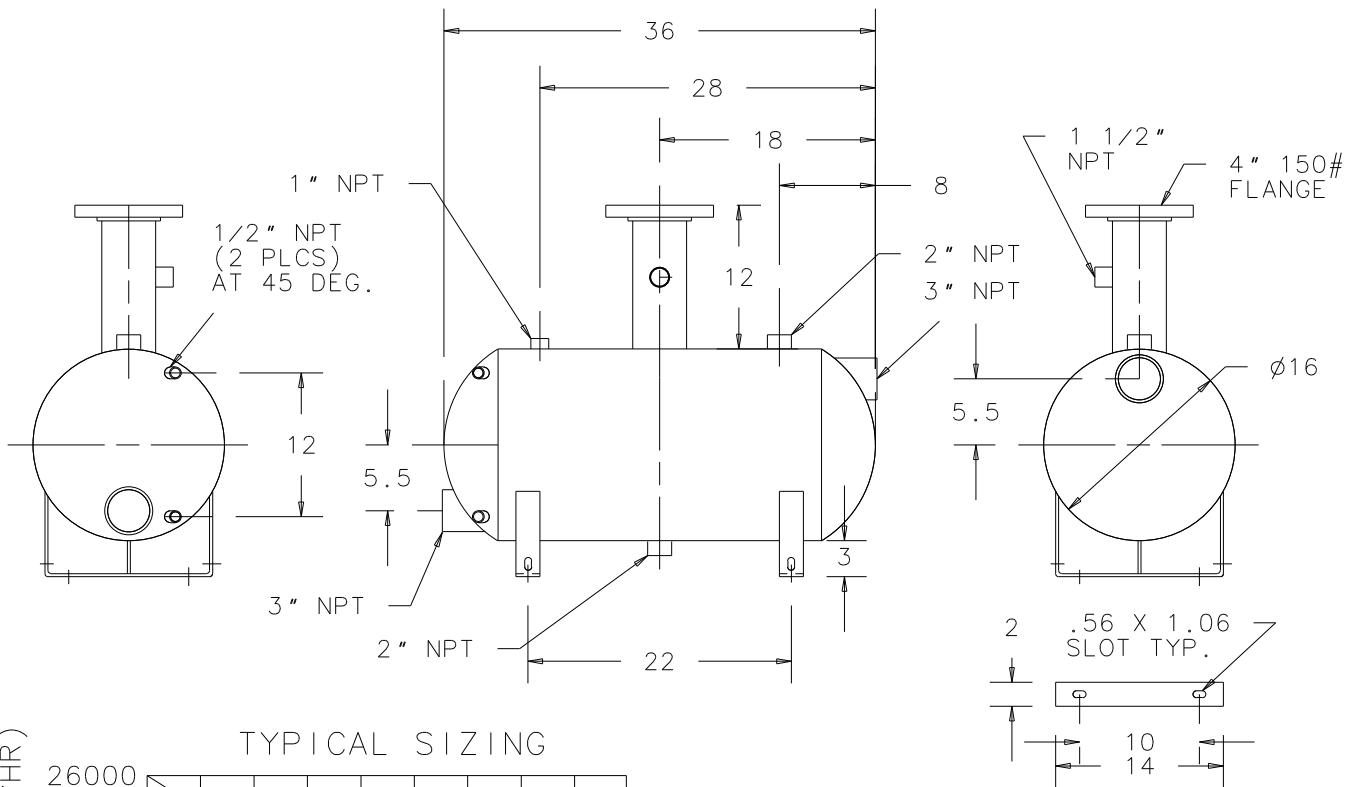
Order:

Project:

Requirements:

By:

Date:



**NOTES:**

1. ASME SEC VIII "U" STAMPED FOR 150 PSI, +FV
2. TEMP RATING -20 TO 550 F
3. APPROX VOLUME 30 GALLONS
4. MAX FLASH LOAD 900 LB/HR

Armstrong Condensate Management Group Three Rivers, MI. 49093 Telephone (269) 279-3601 Fax (269) 279-3150 Posted on <a href="http://www.armstronginternational.com">www.armstronginternational.com</a>		
Product	CDF No.	Date
R-16 HORIZONTAL FLASH TANK	CDF 1098	7/28/06
		Rev. A