

DIMENSIONS & DATA CERTIFIED FOR:

Representative:

Order:

Customer:

Order:

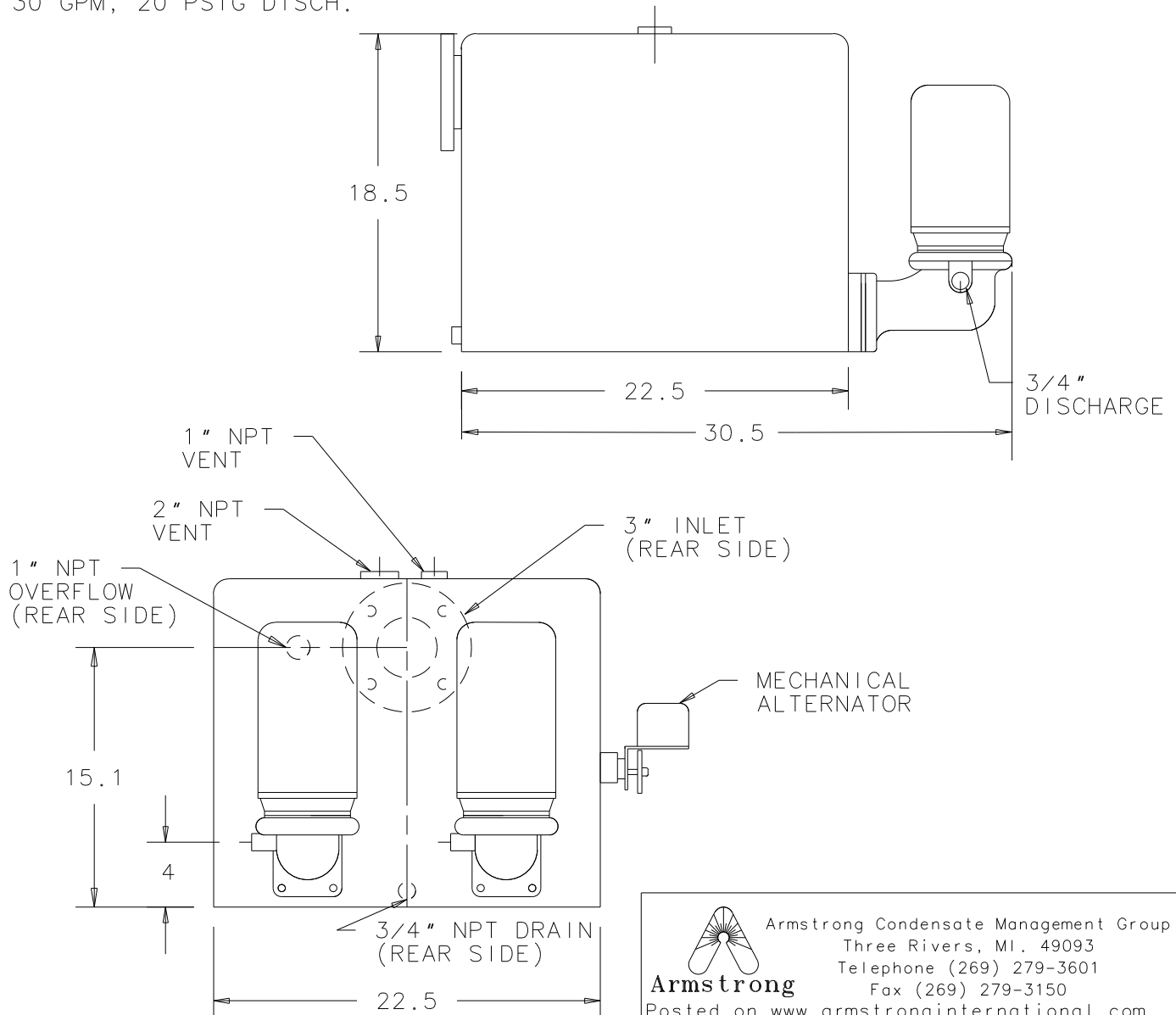
Project:

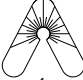
Requirements:

By:

Date:

FHC-230 (DUPLEX)
 36 GAL. C.I. RECEIVER
 3/4 HP, 3500 RPM
 30 GPM, 20 PSIG DISCH.



 Armstrong Condensate Management Group Three Rivers, MI. 49093 Telephone (269) 279-3601 Fax (269) 279-3150 Posted on www.armstronginternational.com		
Product	CDF No.	Date
FHC-230	CDF 1096	8/2/06
		Rev. A