

# DIMENSIONS & DATA CERTIFIED FOR:

Representative:

Order:

Customer:

Order:

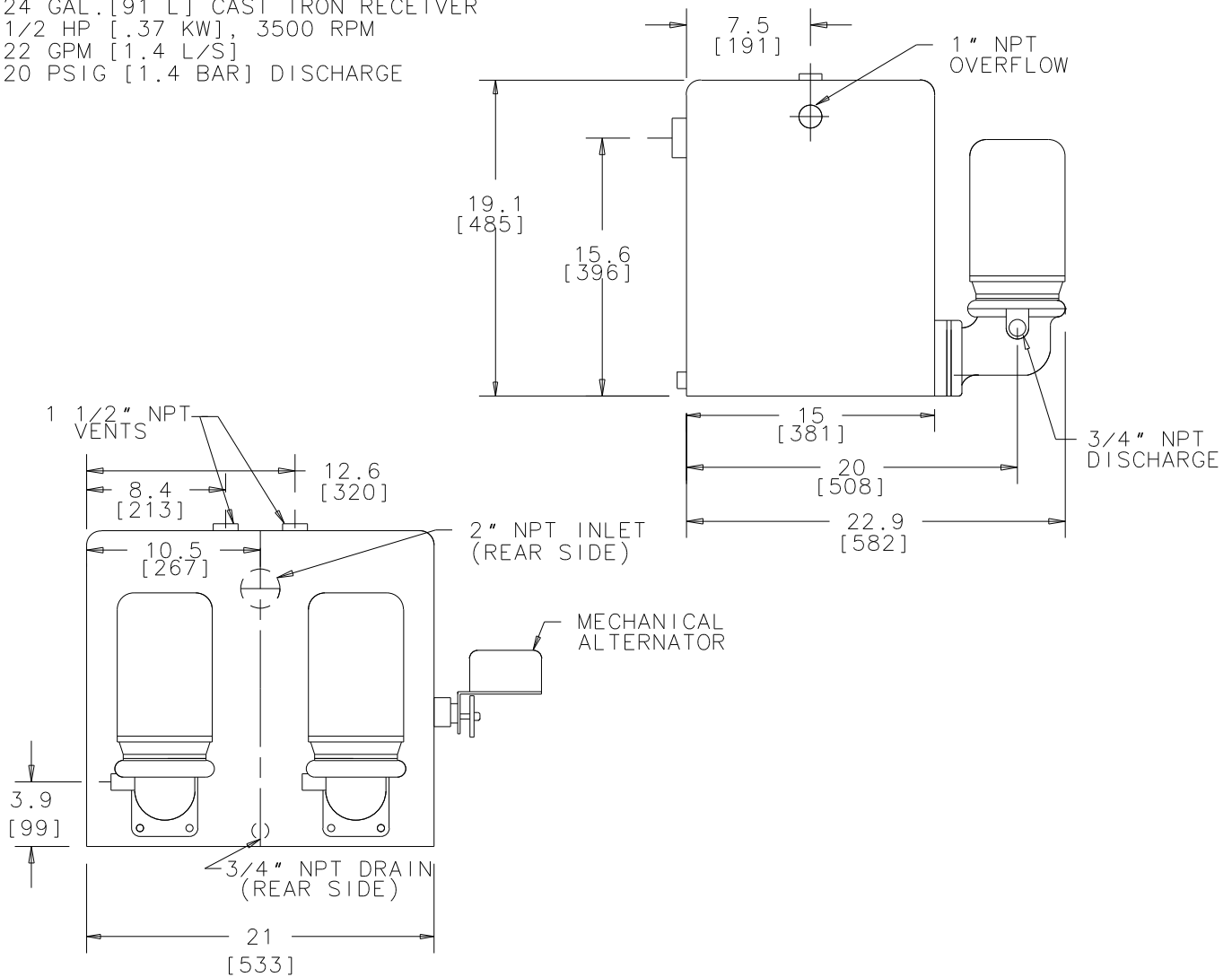
Project:

Requirements:

By:

Date:

FHC-222 (DUPLEX)  
 24 GAL. [91 L] CAST IRON RECEIVER  
 1/2 HP [.37 KW], 3500 RPM  
 22 GPM [1.4 L/S]  
 20 PSIG [1.4 BAR] DISCHARGE



Product	ENGLISH	CDF No.	Date
FHC-222	WEB	CDF 1095	3/30/09
	Y   N		
	X	Rev: B	By: E. Fritts

cn21743