

DIMENSIONS & DATA CERTIFIED FOR:

Representative:

Order:

Customer:

Order:

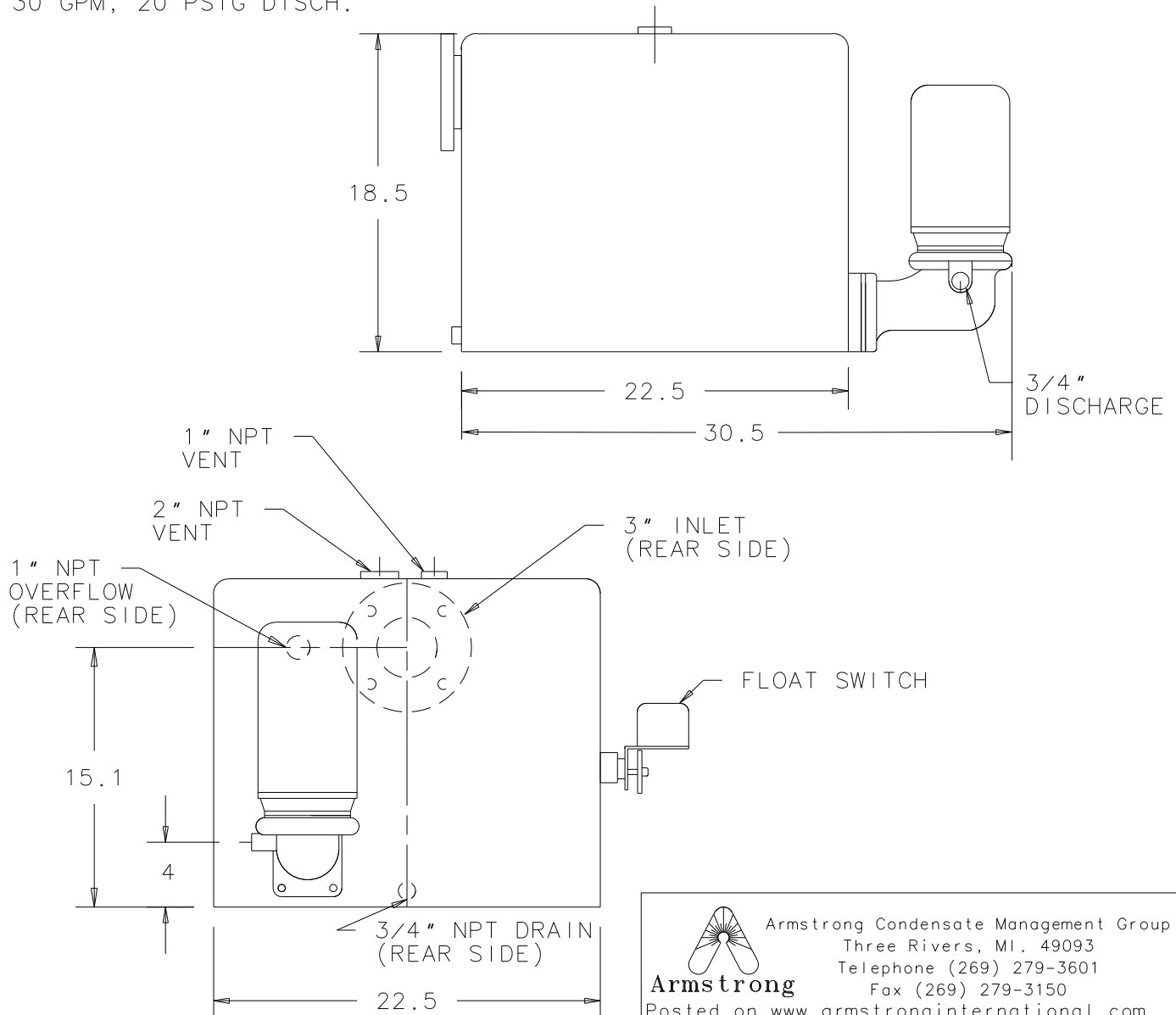
Project:

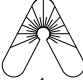
Requirements:

By:

Date:

FHC-130 (SIMPLEX)
 36 GAL. C.I. RECEIVER
 3/4 HP, 3500 RPM
 30 GPM, 20 PSIG DISCH.




 Armstrong Condensate Management Group
 Three Rivers, MI. 49093
 Telephone (269) 279-3601
 Fax (269) 279-3150
 Posted on www.armstronginternational.com

Product	CDF No.	Date
FHC-130	CDF 1094	8/2/06
		Rev. A