

# DIMENSIONS & DATA CERTIFIED FOR:

Representative:

Order:

Customer:

Order:

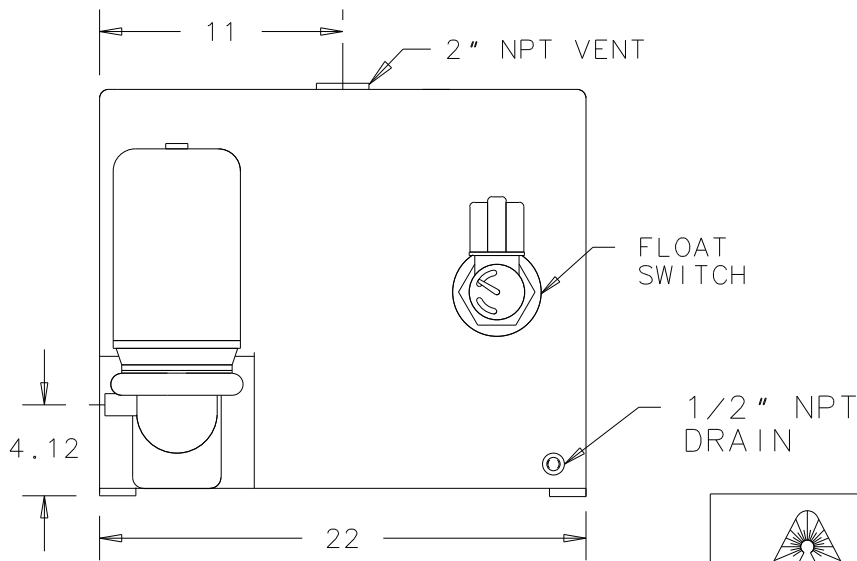
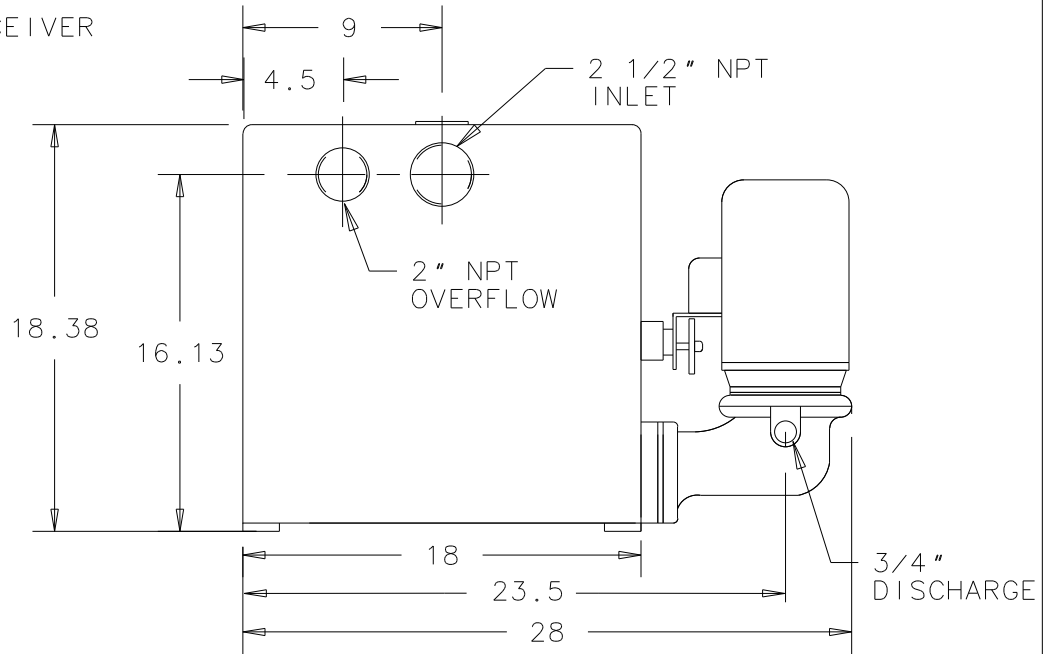
Project:

Requirements:

By:

Date:

30 GALLON STEEL RECEIVER  
 FHS-115 (1/2 HP)  
 FHS-118 (1/2 HP)  
 FHS-130 (3/4 HP)  
 SIMPLEX



Armstrong Condensate Management Group Three Rivers, MI. 49093 Telephone (269) 279-3601 Fax (269) 279-3150 Posted on Armstrong's homepage <a href="http://www.armstrong-intl.com">www.armstrong-intl.com</a>		
Product	CDF No.	Date
FHS-115 FHS-118 FHS-130	CDF 1090	7/11/06
		Rev. A