

DIMENSIONS & DATA CERTIFIED FOR:

Representative:

Order:

Customer:

Order:

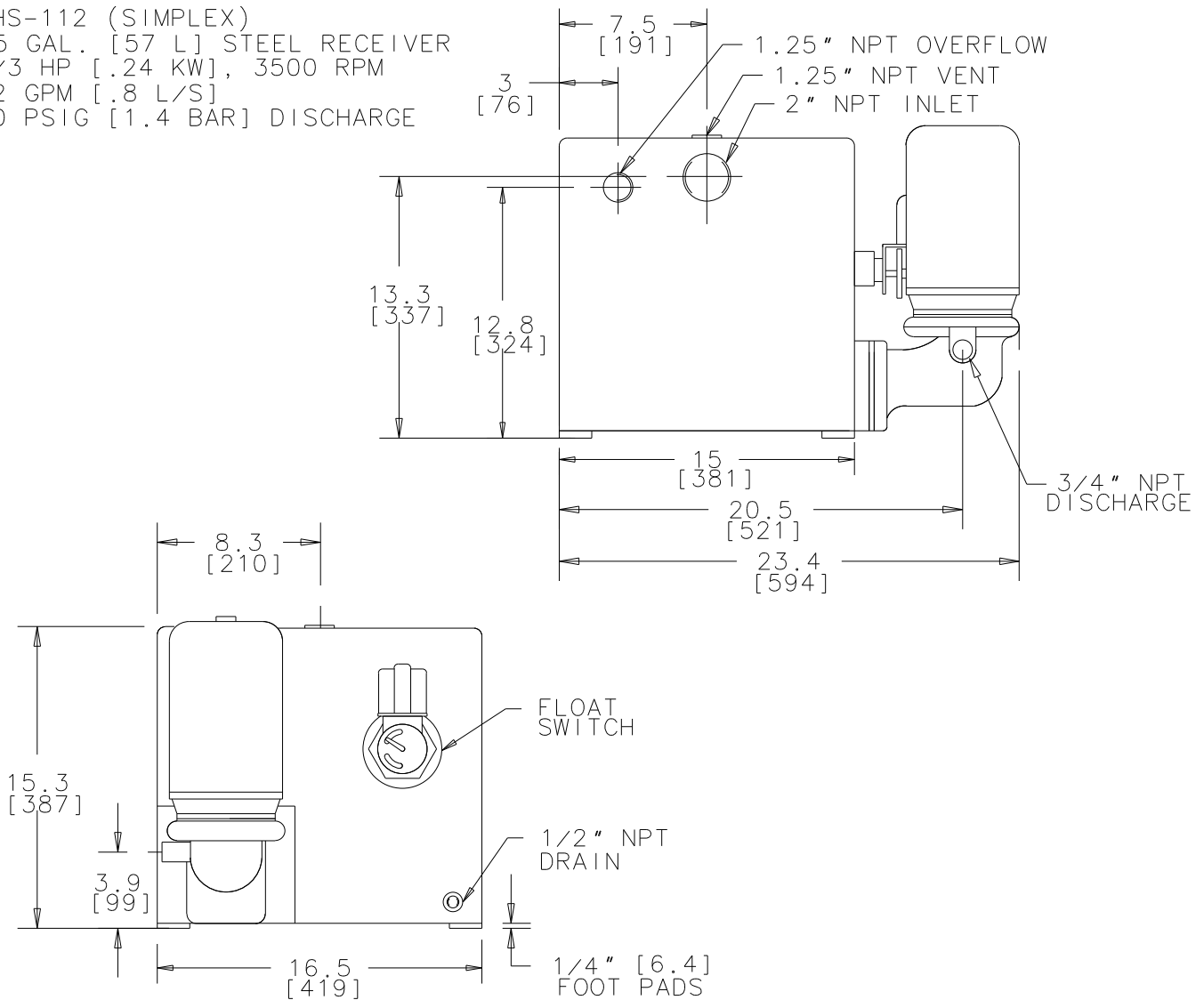
Project:

Requirements:

By:

Date:

FHS-112 (SIMPLEX)
 15 GAL. [57 L] STEEL RECEIVER
 1/3 HP [.24 KW], 3500 RPM
 12 GPM [.8 L/S]
 20 PSIG [1.4 BAR] DISCHARGE



| Product | ENGLISH | CDF No. | Date |
|---------|---------|----------|---------------|
| FHS-112 | WEB | CDF 1089 | 3/30/09 |
| | Y N | | |
| | X | Rev: B | By: E. Fritts |

cn21743