

# DIMENSIONS & DATA CERTIFIED FOR:

Representative:

Order:

Customer:

Order:

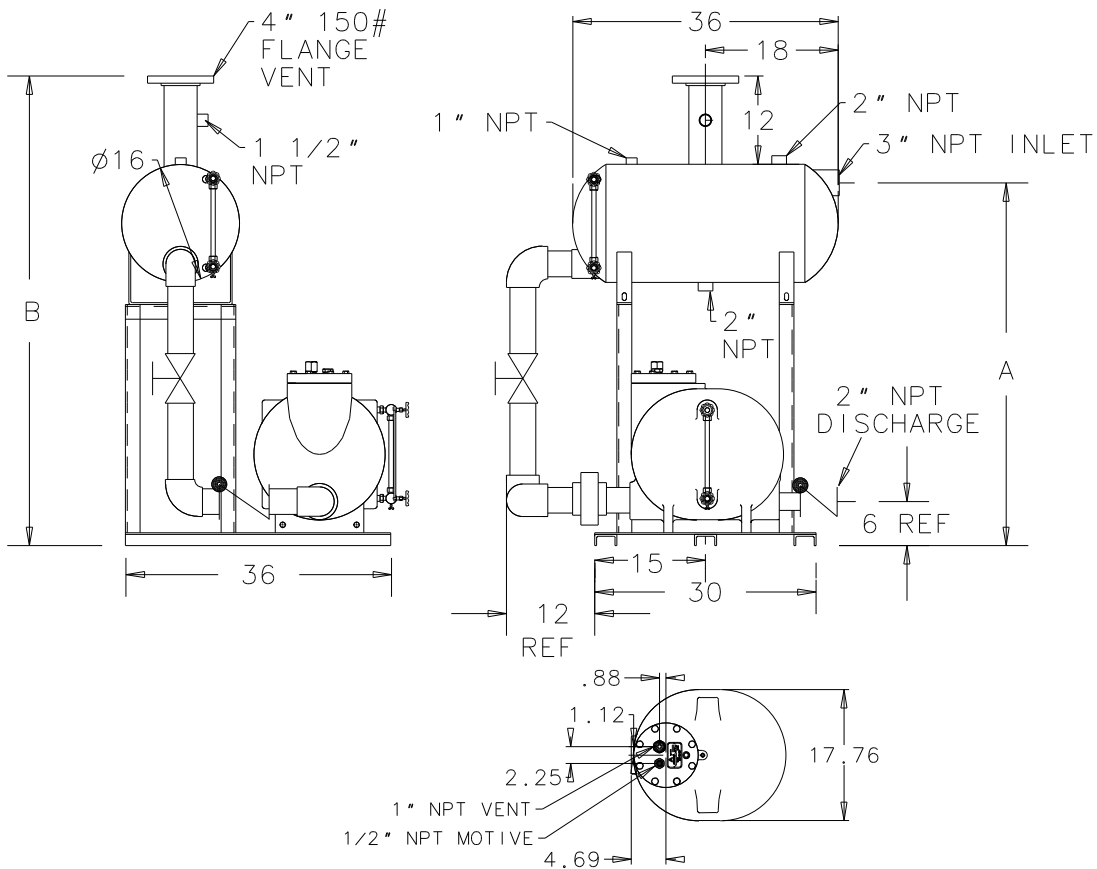
Project:

Requirements:

By:

Date:

DIMENSION	A	B
0" FILL HEAD	37	52
6" FILL HEAD	43	58
12" FILL HEAD	49	64
24" FILL HEAD	61	76



**NOTES:**

1. DRAWING SHOWS OPTIONAL GAUGE GLASSES.
2. RECEIVER ASME CODE 150 PSI
3. RECEIVER VOLUME = APPROX. 30 GALLONS
4. FILL HEAD MUST BE SPECIFIED



Armstrong Condensate Management Group  
Three Rivers, MI. 49093

Telephone (269) 279-3601

Fax (269) 279-3150

Posted on [www.armstronginternational.com](http://www.armstronginternational.com)

Product	CDF No.	Date
SPT-3500LBRP-16	CDF1086	06/21/06
		Rev. A