

DIMENSIONS & DATA CERTIFIED FOR:

Representative:

Order:

Customer:

Order:

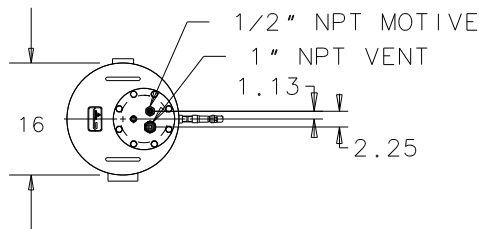
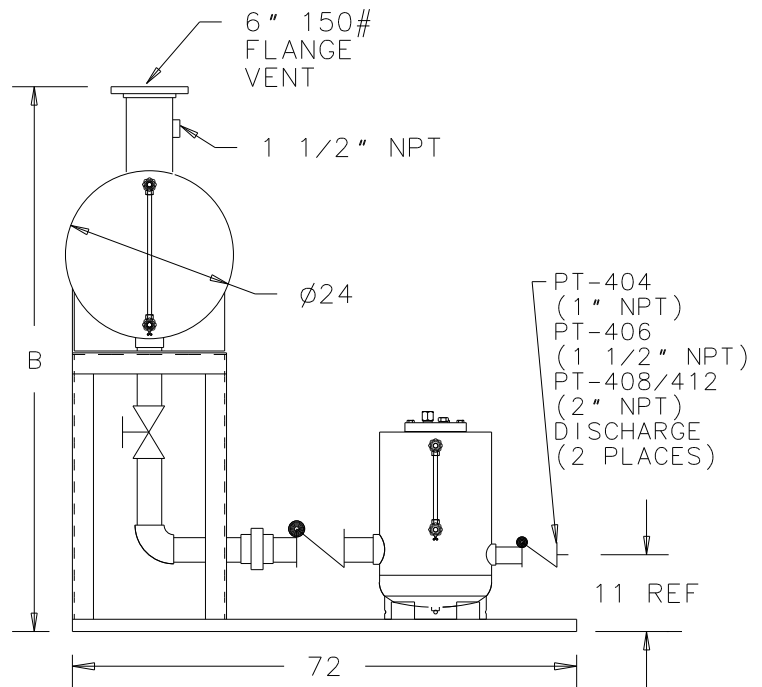
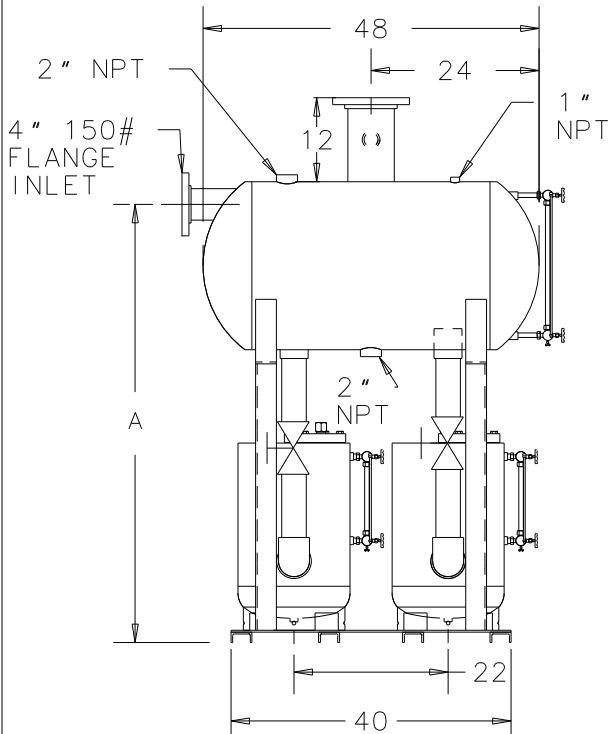
Project:

Requirements:

By:

Date:

DIMENSION	A	B
0" FILL HEAD	50	65
6" FILL HEAD	56	71
12" FILL HEAD	62	77



NOTES:

1. DRAWING SHOWS OPTIONAL GAUGE GLASSES.
2. RECEIVER ASME CODE 150 PSIG
3. RECEIVER VOLUME: APPROX. 85 GALLONS
4. FILL HEAD MUST BE SPECIFIED



Armstrong Condensate Management Group
Three Rivers, MI. 49093
Telephone (269) 279-3601
Fax (269) 279-3150
Posted on www.armstronginternational.com

Product	CDF No.	Date
DPT-400LBRP-24	CDF 1080	06/21/06
		Rev. A