

# DIMENSIONS & DATA CERTIFIED FOR:

Representative:

Order:

Customer:

Order:

Project:

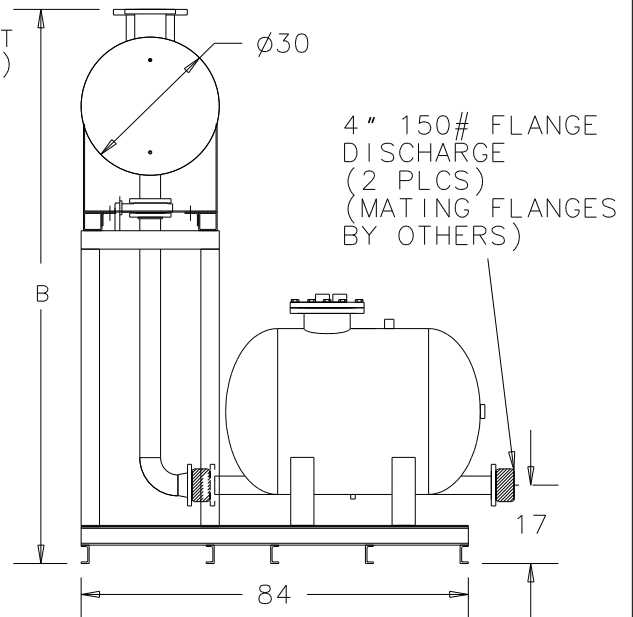
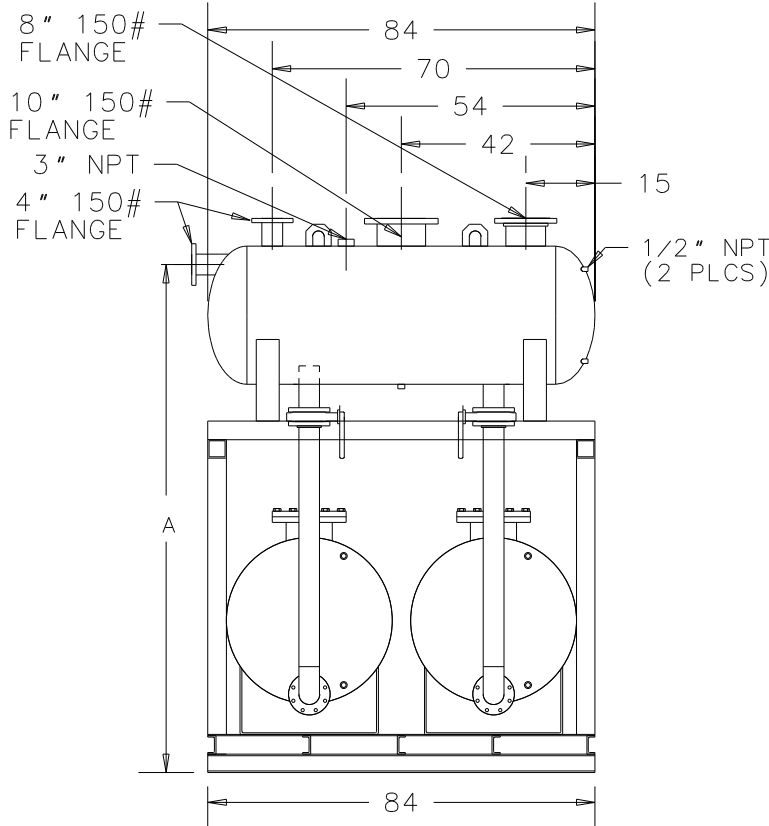
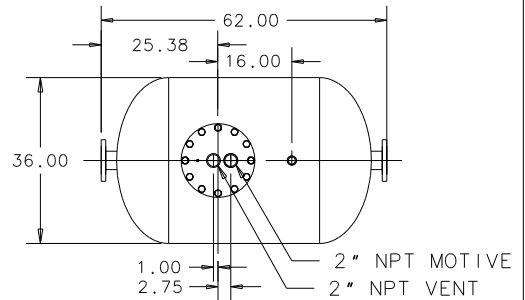
Requirements:

By:

Date:

DIMENSION	A	B
0" FILL HEAD	86	96
6" FILL HEAD*	92	102
12" FILL HEAD*	98	108
18" FILL HEAD*	104	114
24" FILL HEAD*	110	120
36" FILL HEAD*	122	132

\* RECEIVER AND INLET PIPING WILL SHIP LOOSE WITH FIELD ASSEMBLY REQUIRED




**NOTES:**

1. RECEIVER ASME CODE STAMPED FOR 150 PSI
2. APPROX RECEIVER VOLUME 240 GAL

Armstrong Fluid Handling, Inc. Three Rivers, MI. 49093 Telephone (269) 278-6500 Fax (269) 279-3150 Posted on Armstrong's homepage <a href="http://www.armstrong-intl.com">www.armstrong-intl.com</a>		
Product	CDF No.	Date
DPT-516RP	CDF1063	2/24/03
		Rev. A

LIST OF MATERIALS	
NAME OF PART	MATERIAL
RECEIVER TANK	CARBON STEEL
RECEIVER TANK SUPPORT	CARBON STEEL
RECEIVER BASEPLATE	CARBON STEEL
ISOLATION VALVES	CI BODY WITH 316 SS TRIM
CHECK VALVES	CS BODY WITH 316 SS TRIM
PIPING	CARBON STEEL ASTM A120/53
FITTINGS	MALLEABLE IRON ASTM A197 GRADE 150
SHELL	SA-414-G STEEL
HEAD	SA-414-G STEEL
FLANGES	SA-516-70 STEEL
CAP GASKET	COMPRESSED NON-ASBESTOS
BOLTS	SA-449 STEEL
INLET VALVE ASSEMBLY	STAINLESS STEEL
VENT VALVE ASSEMBLY	STAINLESS STEEL
VALVE ASSEMBLY WASHERS	ZINC PLATED STEEL
PLUG	STEEL
MECHANISM ASSEMBLY (INCLUDING FLOAT)	STAINLESS STEEL
MECHANISM SPRING	INCONEL X-750

OPTIONS	
1.	BRONZE GAUGE GLASS FOR: A) RECEIVER TANK B) PUMPING TRAPS. MAXIMUM ALLOWABLE PRESSURE 200 PSIG. THIS EXCEEDS PUMPING TRAP DESIGN OF 150 PSIG AT 425F
2.	INSULATION JACKET REMOVABLE AND REUSABLE 1 INCH THICK, 11# DENSITY FIBERGLASS MAT WITH JACKETING OF TEFLON COATED FIBERGLASS CLOTH. ALL HARDWARE OF T-304 STAINLESS STEEL.
3.	DIGITAL CYCLE COUNTERS
4.	STAINLESS STEEL CHECK VALVES

 Armstrong Fluid Handling, Inc. Three Rivers, MI. 49093 Telephone (269) 278-6500 Fax (269) 279-3150 Posted on Armstrong's homepage <a href="http://www.armstrong-intl.com">www.armstrong-intl.com</a>		
Product	CDF No.	Date
DPT-516RP	CDF 1063	2/24/03
		Rev. A