

# DIMENSIONS & DATA CERTIFIED FOR:

Representative:

Order:

Customer:

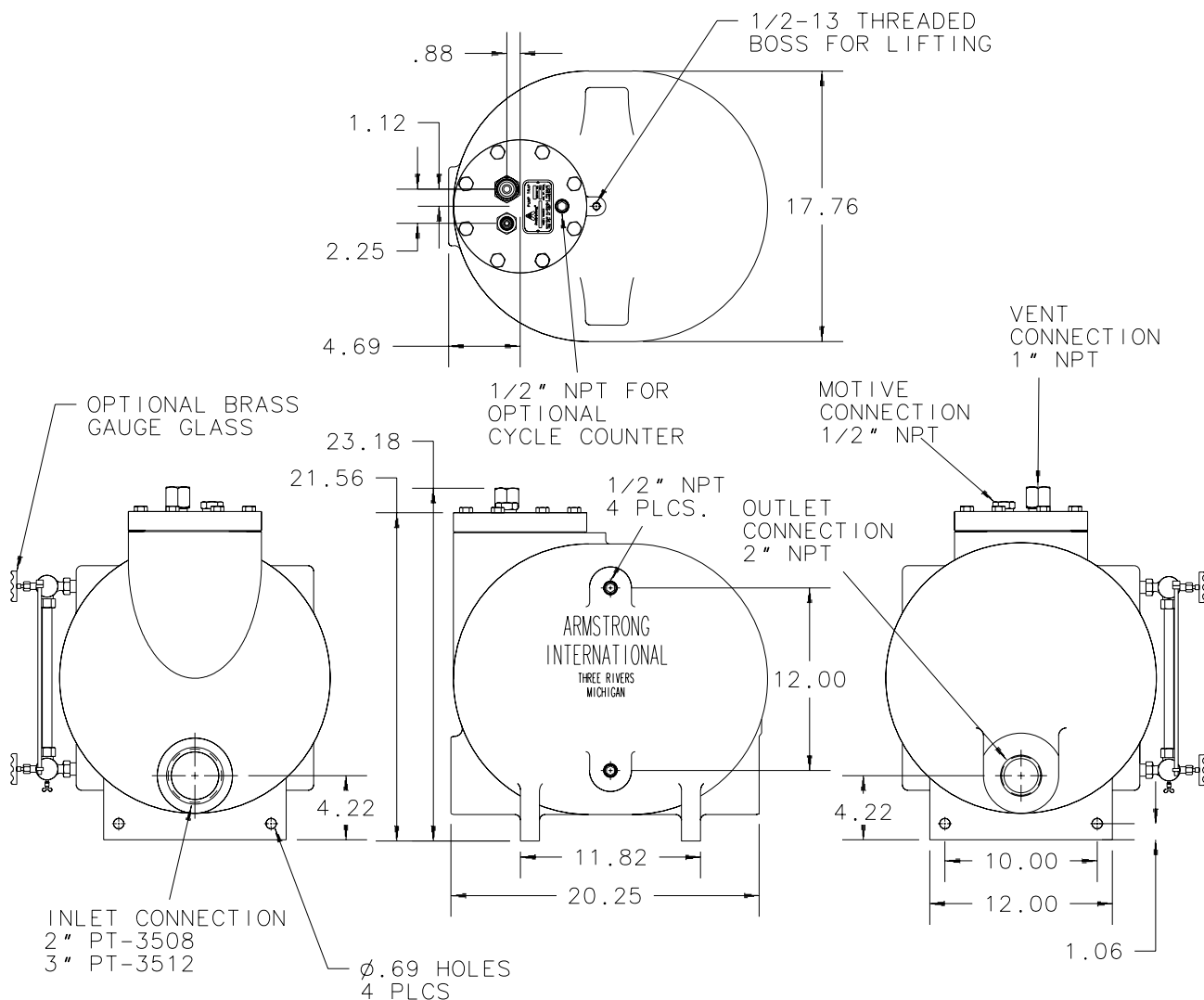
Order:


Project:

Requirements:

By:

Date:




 Armstrong Fluid Handling, Inc.  
 Three Rivers, MI. 49093  
 Telephone (616) 279-3601  
 Fax (616) 279-3150  
**Armstrong**  
 Posted on Armstrong's homepage [www.armstrong-intl.com](http://www.armstrong-intl.com)

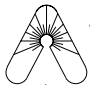
Product	CDF No.	Date
PUMP TRAP PT-3508/3512	CDF1041	9/13/99
		Rev. A

(OVER)

LIST OF MATERIALS	
NAME OF PART	MATERIAL
Body	ASTM A48 CLS 30 CAST IRON
Cover Plate	SA-516-70 Steel
Cap Gasket	Compressed Non-Asbestos
Bolts	SA-449 Steel
Inlet Valve Assembly	Stainless Steel
Vent Valve Assembly	Stainless Steel
Valve Assembly Washers	Zinc Plated Steel
Plug	Steel
Mechanism Assembly (including float)	Stainless Steel
Mechanism Springs	Inconel X-750

OPTIONS
<ol style="list-style-type: none"> <li>1. Check valves should be ordered as an option with the Pumping Trap. Inlet check valve is (2", PT-3508 &amp; 3", PT-3512) NPT bronze swing check valve with teflon disc, Class 150 (minimum). Body material per ASTM B62. Outlet check valve is 2" NPT bronze lift check valve, Class 150 (minimum). Body material per ASTM B62. Stainless steel inline check valves are available in 2" and 3" NPT. Body material per ASTM A351 GR CF8M.</li> <li>2. Bronze gauge glass. Maximum allowable pressure 200 psig. This exceeds Pumping Trap design of 150 psig at 425 F.</li> <li>3. Cycle counter.</li> <li>4. Insulation jacket.</li> </ol>

INSTALLATION NOTES
<ol style="list-style-type: none"> <li>1. The appropriate size and style check valves must be installed on the supply and discharge sides of the Pumping Trap for it to operate.</li> <li>2. A minimum 12" vertical filling head is recommended from the equipment drain point to the top of the pump cap.</li> <li>3. Liquid flowing from the equipment being drained must be stored during the pump's discharge cycle. A liquid reservoir or vented receiver should be installed in a horizontal plane to prevent flooding of equipment.</li> </ol>

 Armstrong Fluid Handling, Inc. Three Rivers, MI. 49093 Telephone (616) 279-3601 Fax (616) 279-3150 Posted on Armstrong's homepage <a href="http://www.armstrong-intl.com">www.armstrong-intl.com</a>		
Product	CDF No.	Date
PUMPING TRAP PT-3508/3512	CDF 1041	9/13/99
		Rev. A