

# DIMENSIONS & DATA CERTIFIED FOR:

Representative:

Order:

Customer:

Order:

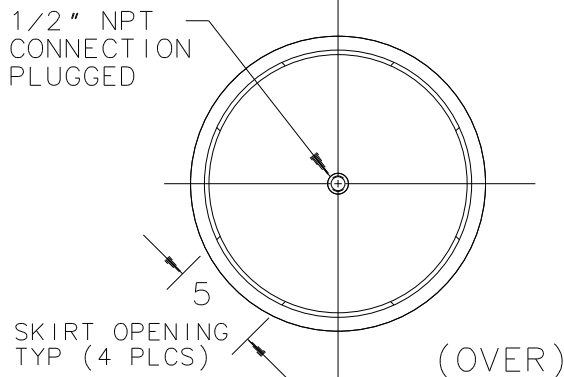
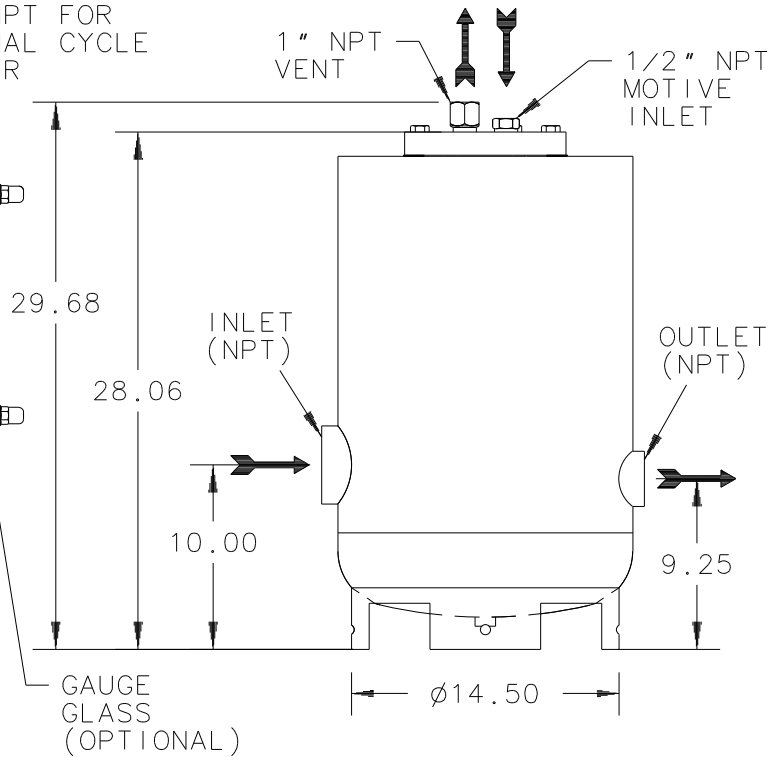
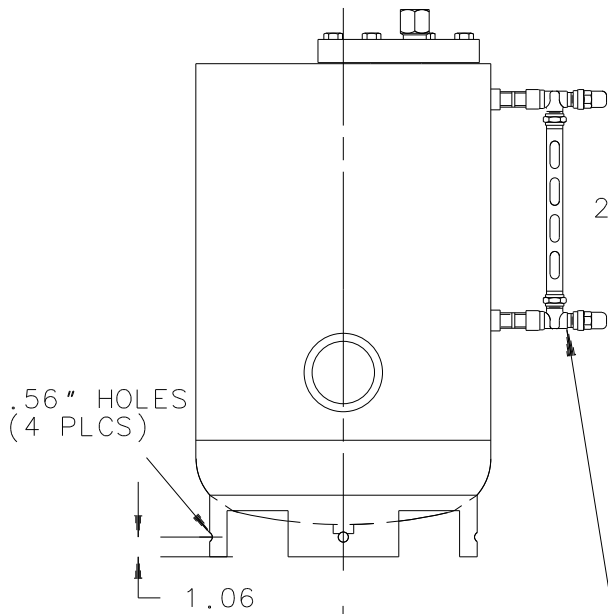
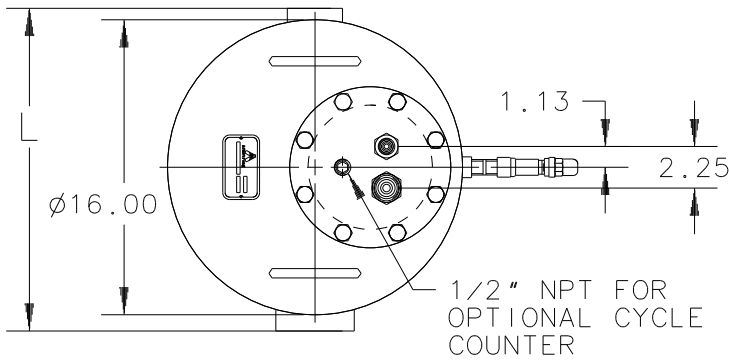
Project:

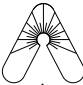
Requirements:

By:

Date:

| MODEL  | INLET  | OUTLET | L     |
|--------|--------|--------|-------|
| PT-404 | 1"     | 1"     | 19"   |
| PT-406 | 1 1/2" | 1 1/2" | 20"   |
| PT-408 | 2"     | 2"     | 19"   |
| PT-412 | 3"     | 2"     | 17.5" |






Armstrong Fluid Handling, Inc.  
 Three Rivers, MI. 49093  
 Telephone (269) 279-3601  
 Fax (269) 279-3150  
 Posted on Armstrong's homepage [www.armstrong-intl.com](http://www.armstrong-intl.com)

| Product                                       | CDF No.  | Date    |
|---|----------|---------|
| PUMP TRAP<br>PT-404, PT-406<br>PT-408, PT-412 | CDF 1004 | 9/08/05 |
|   |          | Rev. B  |

| LIST OF MATERIALS                       |                         |
|---|-------------------------|
| NAME OF PART                            | MATERIAL                |
| Shell                                   | SA-414-G Steel          |
| Head                                    | SA-414-G Steel          |
| Flat Head and Cap                       | SA-516-70 Steel         |
| Cap Gasket                              | Compressed Non-Asbestos |
| Bolts                                   | SA-449 Steel            |
| Inlet Valve Assembly                    | Stainless Steel         |
| Vent Valve Assembly                     | Stainless Steel         |
| Valve Assembly Washers                  | Zinc Plated Steel       |
| Plug                                    | Steel                   |
| Mechanism Assembly<br>(including float) | Stainless Steel         |
| Mechanism Springs                       | Inconel X-750           |
| Inlet Check Valve                       | Bronze ASTM B62         |
| Outlet Check Valve                      | Bronze ASTM B62         |

| OPTIONS  |
|--|
| <ol style="list-style-type: none"> <li>1. Check valves should be ordered as an option with the Pumping Trap. Inlet check valve is a (2", PT-408 &amp; 3", PT-412) NPT bronze swing check valve with teflon disc, Class 150 (minimum). Body material per ASTM B62. Outlet check valve is a 2" NPT bronze lift check valve, Class 150 (minimum). Body material per ASTM B62. Stainless steel inline check valves are available in 2" and 3" NPT. Body material per ASTM A351 GR CF8M.</li> <li>2. Armored gauge glass. Maximum allowable pressure 250 psig at 425 F. This exceeds Pumping Trap design of 150 psig at 425 F.</li> <li>3. Cycle counter.</li> <li>4. Insulation jacket.</li> </ol> |

| INSTALLATION NOTES  |
|---|
| <ol style="list-style-type: none"> <li>1. The appropriate size and style check valves must be installed on the supply and discharge sides of the Pumping Trap for it to operate.</li> <li>2. A minimum 12" vertical filling head is recommended from the equipment drain point to the top of the pump cap.</li> <li>3. Liquid flowing from the equipment being drained must be stored during the pump's discharge cycle. A liquid reservoir or vented receiver should be installed in a horizontal plane to prevent flooding of equipment.</li> </ol> |

|   |          |          |
|---|----------|----------|
|  Armstrong Fluid Handling, Inc.<br>Three Rivers, MI. 49093<br>Telephone (616) 278-6500<br>Fax (616) 279-3150 |          |          |
| Product   | CDF No.  | Date     |
| PUMPING TRAP<br>PT-404, PT-406<br>PT-408, PT-412  | CDF 1004 | 12/26/96 |
|   |          | Rev. A   |