

DIMENSIONS & DATA CERTIFIED FOR:

Representative:

Order:

Customer:

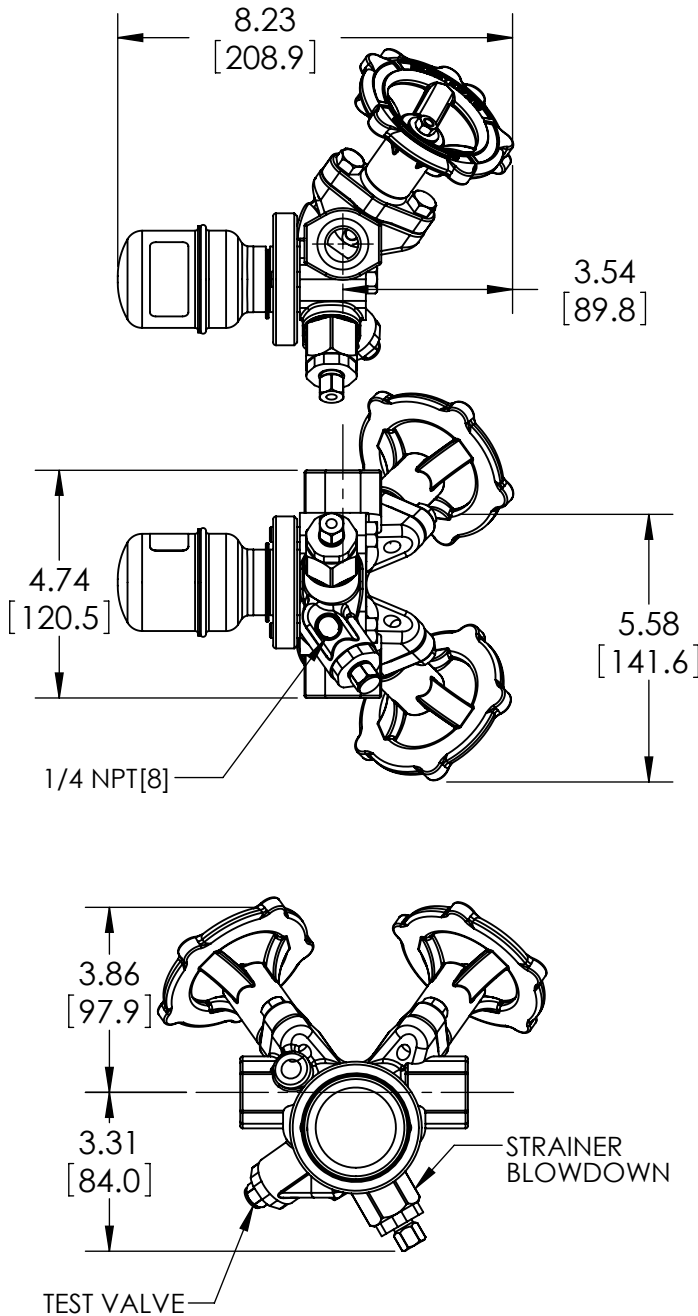
Order:

Project:

Requirements:

By:

Date:



Dimensions Are In Inches [mm]

LIST OF MATERIALS SH2000

NAME OF PART	MATERIAL
VALVE ELEMENT	STN. STL.
BODY	STN. STL.
FLANGE RETAINER RING	STN. STL.
CAP ASSEMBLY	STN. STL.
FLANGE	ASTM A105
EXTERNAL RETAINER RING	CARBON STEEL
SPIRAL WOUND GASKET	STN. STL.
SPIRAL WOUND GASKET	STN. STL.
LABEL	ALUMINUM

LIST OF MATERIALS TVS4000

BODY	ASTM A351 GR. CF8M
HANDWHEEL	DUCTILE IRON
BONNET	ASTM A351 GR. CF8M
BOLTS	A2 CLASS 70 SS
VALVE PLUGS	17-4PH SS
LANTERN BUSHINGS	303L SS
VALVE RINGS	GRAPHITE AND SS
VALVE WASHER	AISI 304 SS
DISC SPRINGS	17-7 SS
NUT	A2 CLASS 50 SS
FLAT WASHERS	AISI 304 SS
SCREEN	304 SS 20X20 MESH
GASKET, RETAINER	316 SS
BLOWDOWN STRAINER	SS
TEST VALVE ASSEMBLY	SS
BOLTS	ASTM A193, GR B7
MAX. OPERATING PRESSURE	MAX. ALLOWABLE PRESSURE (VESSEL DESIGN)
400 PSIG [28 BAR] AT 800°F [427°C]	400 PSIG [28 BAR] AT 800°F [427°C]



Product

ENGLISH

CD No.

Rev;

Date

SH 2000 TRAP
W/ TVS4000

WEB
Y|N

CD2430

12/17/2009

SHEET 1 OF 1

By: HWN