

DIMENSIONS & DATA CERTIFIED FOR:

Representative:

Order:

Customer:

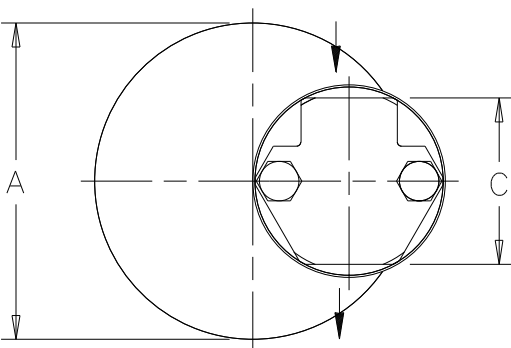
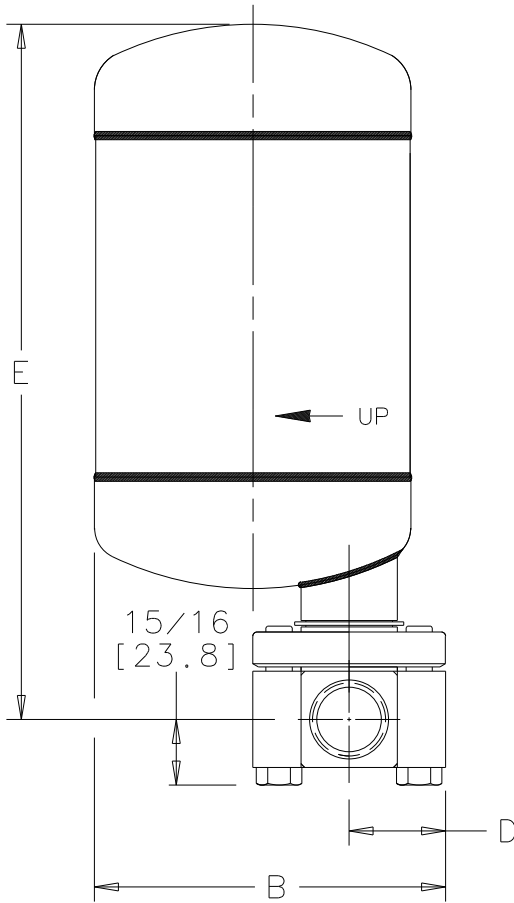
Order:

Project:

Requirements:

By:

Date:



Dimensions Are In Inches[mm]

LIST OF MATERIALS:

NAME OF PART	MATERIAL
CAP & BODY	ASTM A240 T304L
SEAT, VALVE	ASTM A582 T303
VALVE	ASTM A564 17-4 PH H900
VALVE RETAINER	ASTM A240 T304
LEVER	
GUIDE PIN ASS'Y	
FLOAT	
CAPSULE	ASTM A582 T303
ADAPTER	
STD. CONNECTOR: (May Be Turned 360°)	
CONNECTOR, STD.	T304 S.S.
CONNECTOR GASKET	T304L S.S. NON-ASBESTOS
RETAINER RING	CARBON STEEL
FLANGE	ASTM A105, ZINK PLATED
FLANGE RETAINER	T304L
BOLT (2)	ASTM A193 Gr. B7

TECHNICAL INFORMATION

MODEL NO.	FT4000
CONNECTION	1/2[DN15]
	3/4[DN20]
"A" (ø BODY)	4-1/2 [114.3]
"B" (HEIGHT)	5 [127]
"C" (FACE TO FACE)	2-3/8 [60.3]
"D" (ø TO CONNECTOR EDGE)	1-3/8 [34.9]
"E" (ø CONN. TO TRAP EDGE)	9-15/16[252.4]
WEIGHT (lbs)	7 [3.2 kgs]

OPTIONS:

CONNECTION	NPT	<input type="checkbox"/>
	BSPT	<input type="checkbox"/>
	SW	<input type="checkbox"/>

DESIGN INFORMATION

PMA (VESSEL DESIGN)	485 psig @ 600°F [33.4 bar @ 315°C] *
ΔPMx (MAX. OPERATING psi)	465 psi Sat. Steam * [32 bar]



Product
FT4000 W/ STD. CONNECTOR
TRAP ASSY

ENGLISH
WEB
YIN
✓

CD No.
2123

Date
3/26/08

Rev; A sht. 1 By; paulg