

DIMENSIONS & DATA CERTIFIED FOR:

Representative:

Order:

Customer:

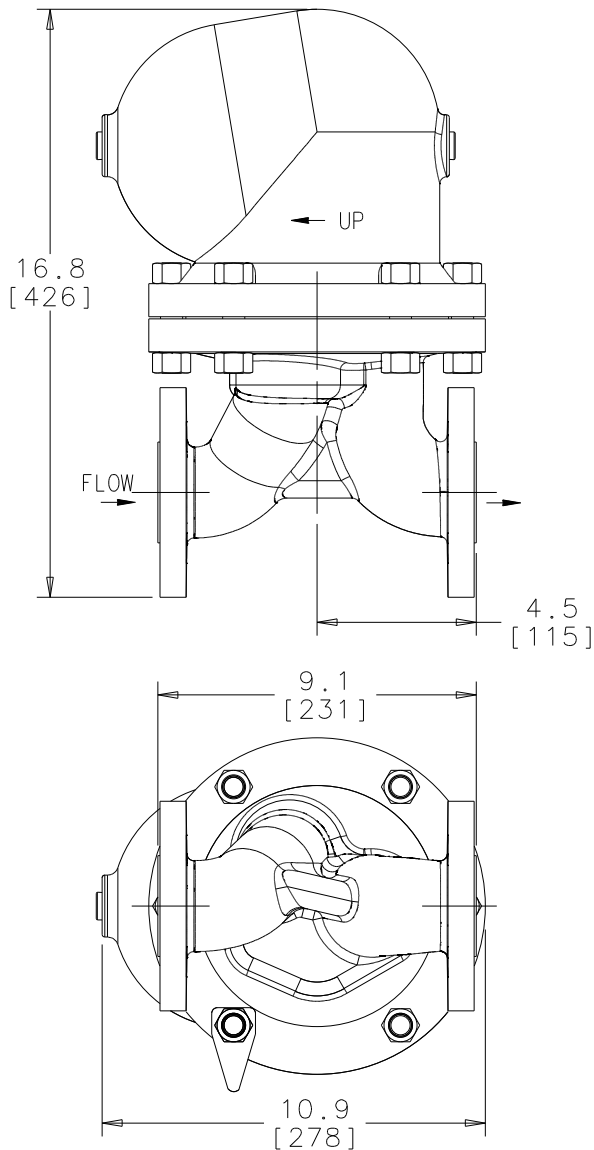
Order:

Project:

Requirements:

By:

Date:



DIMENSIONS ARE IN INCHES[mm]
Flg. Conn. Complies
W/ DIN EN 1092-1

LIST OF MATERIALS:

NAME OF PART	MATERIAL
CAP/BODY	ASTM A395 [EN 1563 EN GJS-400-18U]
GASKET, FLG.	FLEXIBLE GRAPHITE
STUD, FLG. (6)	ASTM A193 GR. B7
NUT, FLG. (12)	ASTM A194 GR.2H
SPACER	T316
SCREW, CAP	GR. A2
BAFFLE, INLET	T316
FLOAT	ASTM A167 T304
SHIELD, EROSION	CF8M
MECHANISM	ASTM A351 Gr. CF8M
CAP EXTENSION	ASTM A4747 GR. CB7Cu-1, 17-4 PH
GASKET, MECH.	FLEXIBLE GRAPHITE
NAME PLATE	ALUMINUM
THERMIC ELEMENT	ASTM A167 T303
TAG HOLDER/RIVET	STEEL
PLUG, DRAIN (2)	

TECHNICAL INFORMATION

MODEL NO.	AIC F&T
CONNECTION	1-1/2 [DN40]
WEIGHT	75 lb[34 kg]
FLANGE TYPE	Cl. 300 RF FLG. DN40
ORINATION	VERTICAL
MECHANISM SIZE	25mm

DESIGN INFORMATION

PMA PRESSURE(VESSEL DESIGN)	465 psig @ 572°F [32 bar @ 300°C]
ΔPMx OPERATING PRESSURE	200 psi @ 572°F [14 bar @ 300°C]
VOLUME	.92 Gal.[3.48 L]



Product ENGLISH
F&T
AIC SERIES (VERT.)
DN40 CL. 300 RF 25MM MECH.

WEB
Y|N
✓

CD No.

2114

Rev; A

Date

3/11/08

Sht. 1

By; paulg