

# DIMENSIONS & DATA CERTIFIED FOR:

Representative:

Order:

Customer:

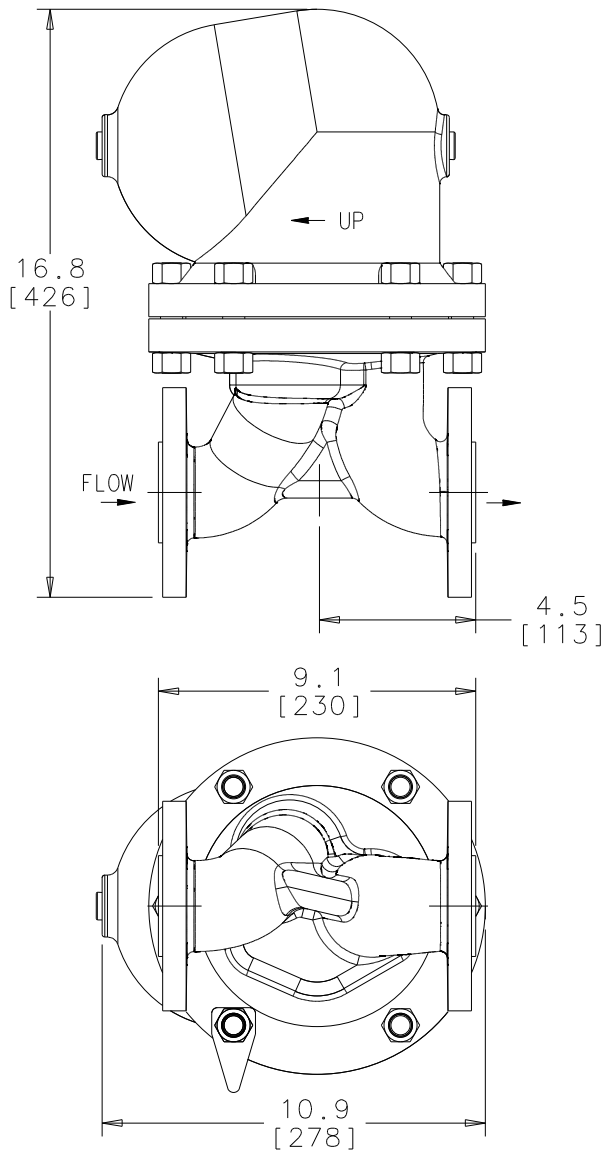
Order:

Project:

Requirements:

By:

Date:



DIMENSIONS ARE IN INCHES[mm]  
Flg. Conn. Complies  
W/ DIN EN 1092-1

## LIST OF MATERIALS:

NAME OF PART	MATERIAL
CAP/BODY	ASTM A395 [EN 1563 EN GJS-400-18U]
GASKET, FLG.	FLEXIBLE GRAPHITE
STUD, FLG. (6)	ASTM A193 GR. B7
NUT, FLG. (12)	ASTM A194 GR.2H
SPACER	T316
SCREW, CAP	GR. A2
BAFFLE, INLET	T316
FLOAT	ASTM A167 T304
SHIELD, EROSION	CF8M
MECHANISM	ASTM A351 Gr. CF8M
CAP EXTENSION	ASTM A4747 GR. CB7Cu-1, 17-4 PH
GASKET, MECH.	FLEXIBLE GRAPHITE
NAME PLATE	ALUMINUM
THERMIC ELEMENT	ASTM A167 T304
TAG HOLDER/RIVET	STEEL
PLUG, DRAIN (2)	

## TECHNICAL INFORMATION

MODEL NO.	AIC F&T
CONNECTION	1-1/2 [DN40]
WEIGHT	75 lb[34 kg]
FLANGE TYPE	CL. 150 RF FLG. DN40
ORINATION	VERTICAL
MECHANISM SIZE	25mm

## DESIGN INFORMATION

PMA PRESSURE(VESSEL DESIGN)	200 psig @ 572°F [14 bar @ 300°C]
ΔPMx OPERATING PRESSURE	200 psi @ 572°F [14 bar @ 300°C]
VOLUME	.92 Gal.[3.48 L]



Product ENGLISH  
F&T  
AIC SERIES (VERT.)  
DN40 CL. 150RF 25MM MECH.

WEB  
Y|N  
\_✓

CD No.

2111

Rev; A

Date

3/11/08

Sht. 1

By; paulg