

DIMENSIONS & DATA CERTIFIED FOR:

Representative:

Order:

Customer:

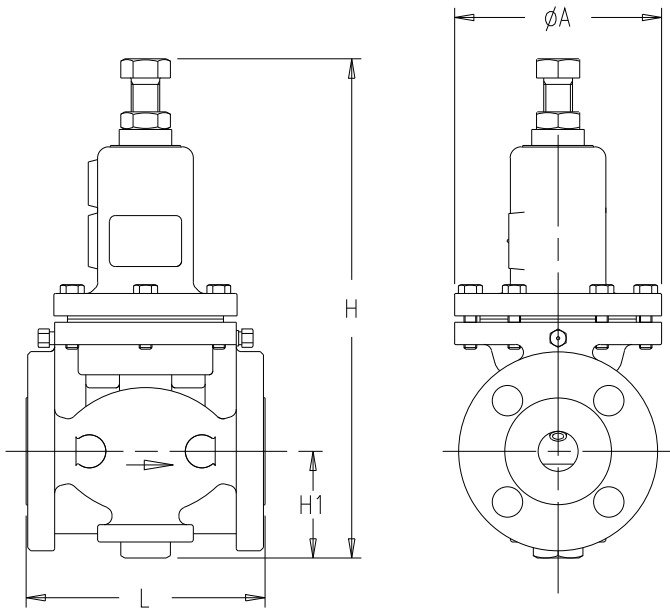
Order:

Project:

Requirements:

By:

Date:



| Dimensions | | | | | | |
|---------------|-------------------|---------------|---------------|--------------|-------------|----------------|
| SIZE | L | A | H | H1 | Cv [Kv] | Weight |
| | 300 Lb. Flange | | | | | |
| 2 [50] | 7.9 [200] | 6.0 [152] | 16.2 [413] | 3.1 [79] | 16 [14] | 43 [19.5] |
| 2-1/2 [65] | 10.9 [277] | 7.0 [178] | 21.5 [546] | 4.0 [103] | 28 [24] | 88 [39.9] |
| 3 [80] | 11.1 [283] | 7.5 [190] | 22.6 [573] | 4.6 [116] | 36 [31] | 97 [44.0] |
| 4 [100] | 12.8 [324] | 9.0 [229] | 25.1 [637] | 5.2 [133] | 68 [59] | 154 [69.8] |
| 5 [125] | 15.9 [403] | 10.0 [254] | 33.0 [838] | 6.5 [165] | 75 [65] | 317 [143.8] |
| 6 [150] | 16.6 [422] | 11.0 [279] | 35.6 [903] | 7.5 [190] | 108 [93] | 381 [172.8] |

DIMENSIONS IN [] ARE METRIC.

NOTES:

- 1) Available in sizes below 2" upon request.
- 2) Back pressure valve (GD-20R) available upon request.

| Materials | |
|------------|--------------------------|
| Body | Ductile Iron ASTM A536 |
| Main Valve | NBR |
| Valve Seat | STAINLESS STEEL AISI 304 |
| Diaphragm | NBR |
| Connection | ANSI 300 lb. Flange |

| Specifications | | | | | |
|-------------------|----------------------|------------------------------|------------------------------|---------------------|----------------------|
| Application | Inlet Pressure | Reduced Pressure | | Maximum Temperature | Minimum Differential |
| | | 2"-3" | 4"-6" | | |
| Liquid Gas | 300 psig [20 bar] | 7-36 psig [0.5-2.5 bar] | 7-36 psig [0.5-2.5 bar] | 175 °F [79 °C] | 7 psig [0.5 bar] |
| | | 37-100 psig [2.5-6.8 bar] | 37-72 psig [2.5-4.9 bar] | | |
| | | 72-130 psig [4.9-8.8 bar] | 72-108 psig [4.9-7.3 bar] | | |



| | | | |
|-------------------------|---------|--------|------------|
| Product | ENGLISH | CD No. | Date |
| GD-200H | WEB | CD2107 | 05/18/2011 |
| PRESSURE REDUCING VALVE | Y/N | Rev; B | By; Hooley |