

DIMENSIONS & DATA CERTIFIED FOR:

Representative:

Order:

Customer:

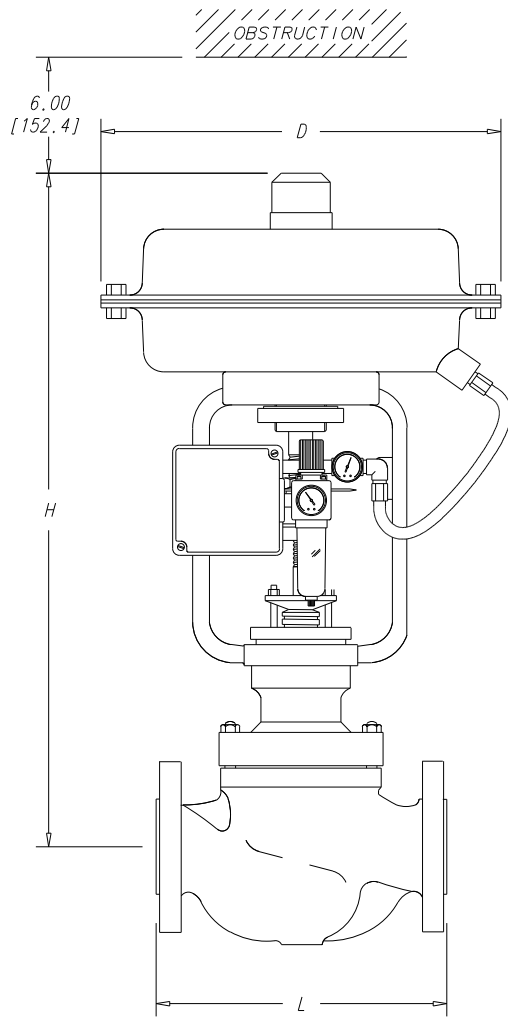
Order:

Project:

Requirements:

By:

Date:



Dimensions & Weights						
SIZE NPT [DN]	ANSI FLG. CLASS	L	D	H	C _v	WEIGHT lbs [kgs]
1/2 [15]	150#	7.00 [177.8]	11.42 [290.1]	18.50 [469.9]	5	34 [15.4]
3/4 [20]		7.12 [181.0]			9	
1 [25]		7.25 [184.2]			13	36 [16.3]
1-1/2 [40]		8.75 [222.2]	14.96 [380.0]	20.28 [515.1]	30	55 [24.9]
2 [50]		10.00 [254.0]			50	65 [29.5]
2-1/2 [65]		10.88 [276.4]	14.96 [380.0]	25.20 [640.1]	80	120 [54.4]
3 [80]		11.75 [298.4]			110	135 [61.2]
4 [100]		13.88 [352.4]			200	176 [79.8]
6 [150]		17.75 [450.9]	17.64 [448.0]	33.47 [850.1]	400	322.0 [146.0]

Dimensions are in inches [mm]

LIST OF MATERIALS	
PART	MATERIAL
VALVE BODY	CARBON STEEL A216 GR. WCB
BONNET	CARBON STEEL A216 GR. WCB
VALVE / VALVE SEAT	STAINLESS STEEL AISI 431
VALVE STEM	STAINLESS STEEL 316
GLAND PACKING	V-TEFLON (OPTION 1) 366°F MAX. GRAFOIL (OPTION 2)
YOKE	S.G. IRON
ACTUATOR SPRING	CHROME VANADIUM SPRING STEEL
ACTUATOR DIAPHRAGM	NITRILE REINFORCED with NYLON FIBER

CONTROL VALVE TECHNICAL DATA		
PLUG DESIGN	CONTOURED TOP (UNBALANCED)	
FLOW CHARACTERISTICS	EQUAL PERCENTAGE	
LEAKAGE	ANSI CLASS IV	
RANGEABILITY	50:1	
TRAVEL	1/2" [15] - 1" [25]	0.7 [18]
	1-1/2" [40] - 2" [50]	1.1 [28]
	2-1/2" [65] - 4" [100]	1.5 [38]
	6" [150]	2.3 [58]
MAXIMUM TEMPERATURE	450°F [232°C]	
MAXIMUM PRESSURE	150 PSIG [10 bar]	

NOTES:
1. REDUCED TRIM C_v AVAILABLE.

POSITIONER TECHNICAL DATA	
CONTROL SIGNAL	SETPOINT 3-15 PSIG [0.2-1.0 bar]
AIR SUPPLY	20-50 PSIG [1.4-3.5 bar]
PROTECTION CLASS	IP54
PNEUMATIC CONNECTION	1/4 NPT [8 DN]
AMBIENT TEMPERATURE	-40° to +176°F [-40° to +80°C]



Product	ENGLISH	CD No.	Date
PYTHON 1100 SERIES CONTROL VALVE	WEB	CD2094	10/23/07
150# FLG'D CONTOURED TOP-GUIDED w/PNEUMATIC POSITIONER	YIN	Rev; B	By; Hooley