

# DIMENSIONS & DATA CERTIFIED FOR:

Representative:

Order:

Customer:

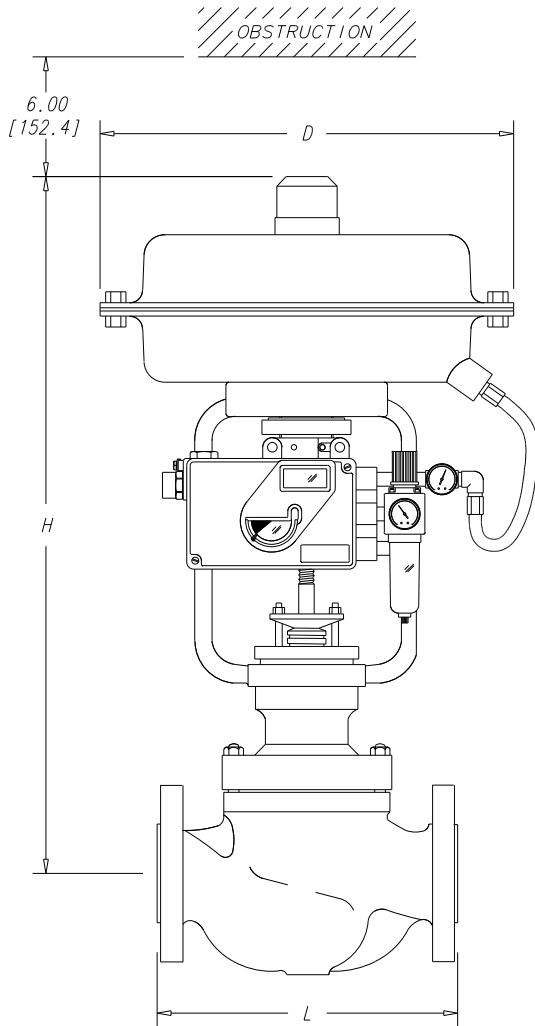
Order:

Project:

Requirements:

By:

Date:



Dimensions & Weights							
SIZE NPT [DN]	ANSI FLG. CLASS	L	D	H	C <sub>v</sub>	WEIGHT lbs [kgs]	
1-1/2 [40]	150#	8.75 [222.2]	11.42 [290.1]	20.28 [515.1]	24	71 [32.2]	
	300#	9.25 [235.0]				90 [40.8]	
2 [50]	150#	10.00 [254.0]		20.47 [519.9]	40	100 [45.4]	
	300#	10.50 [266.7]				115 [52.2]	
2-1/2 [65]	150#	10.88 [276.4]		14.96 [380.0]	25.20 [640.1]	64	120 [54.4]
	300#	11.50 [292.1]					135 [61.2]
3 [80]	150#	11.75 [298.4]	26.38 [670.0]		90	135 [61.2]	
	300#	12.50 [317.5]				154 [69.8]	
4 [100]	150#	13.88 [352.6]	33.47 [850.1]		160	176 [79.8]	
	300#	14.50 [368.3]				220 [99.8]	
6 [150]	150#	17.75 [450.8]	17.64 [448.0]	320	322 [146.0]		
	300#	18.63 [473.2]			418 [189.6]		

Dimensions are in inches [mm]

LIST OF MATERIALS	
PART	MATERIAL
VALVE BODY	CARBON STEEL A216 GR. WCB
BONNET	CARBON STEEL A216 GR. WCB
VALVE / VALVE SEAT	STAINLESS STEEL AISI 431
VALVE STEM	STAINLESS STEEL 316
GLAND PACKING	V-TEFLON (OPTION 1) 366°F MAX. GRAFOIL (OPTION 2)
YOKE	S.G. IRON
ACTUATOR SPRING	CHROME VANADIUM SPRING STEEL
ACTUATOR DIAPHRAGM	NITRILE REINFORCED with NYLON FIBER

CONTROL VALVE TECHNICAL DATA		
PLUG DESIGN	MULTI-HOLE CAGE (BALANCED)	
FLOW CHARACTERISTICS	EQUAL PERCENTAGE	
LEAKAGE	ANSI CLASS IV	
RANGEABILITY	50:1	
TRAVEL	1-1/2" [40] - 2" [50]	1.1 [28]
	2-1/2" [65] - 4" [100]	1.5 [38]
	6" [150]	2.3 [58]
MAXIMUM TEMPERATURE	450°F [232°C]	
MAXIMUM PRESSURE	300 PSIG [20 bar]	

POSITIONER TECHNICAL DATA	
ANALOG	SETPOINT 4-20 mA
DISPLAY	MECHANICAL INDICATOR (STD.)
AIR SUPPLY	20-50 PSIG [1.4-3.5 bar]
PROTECTION CLASS	NEMA 4X
ELECTRICAL CLASSIFICATION FM / CSA	INTRINSIC SAFETY CLASS I, DIV. 1, GROUPS A, B, C, D
ELECTRICAL CONNECTION	1/2 NPT [15 DN]
PNEUMATIC CONNECTION	1/4 NPT [8 DN]
AMBIENT TEMPERATURE	-40° to +176°F [-40° to +80°C]

NOTES:

1. REDUCED TRIM C<sub>v</sub> AVAILABLE.



**Armstrong**

www.armstronginternational.com

Product

ENGLISH

CD No.

Date

PYTHON 1100 SERIES CONTROL VALVE  
FLG'D MULTI-HOLE CAGE GUIDED w/ANALOG POSITIONER

WEB  
YIN

CD2091

10/23/07

Rev; B

By; Hooley

CD2091B