

# DIMENSIONS & DATA CERTIFIED FOR:

Representative:

Order:

Customer:

Order:

Project:

Requirements:

By:

Date:

## LIST OF MATERIALS:

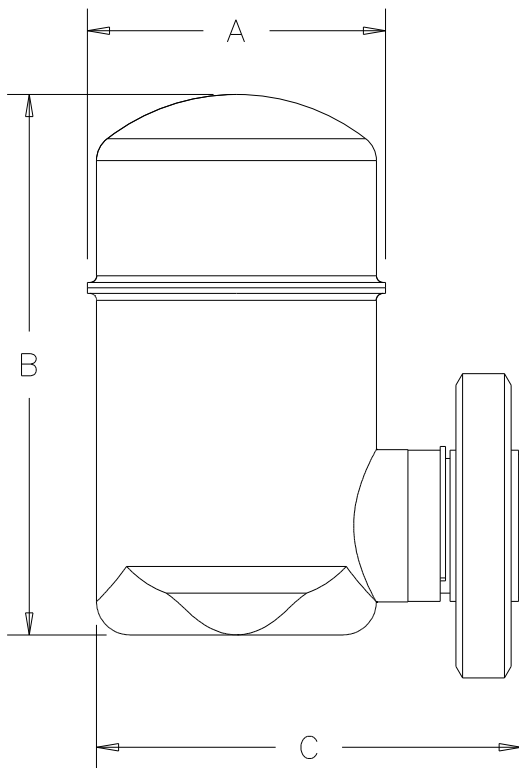
NAME OF PART	MATERIAL
CAP & BODY	ASTM A240 T304L SS
FLOAT	316 S.S.
THERMIC ELEMENT	BI-METALLIC
INTERNALS	STAINLESS STEEL
RETAINING RING	CARBON STEEL
FLANGE	FORGED CARBON STEEL
GASKET	T304 S.S. NON-ASBESTOS
FLANGE RETAINER	T304 S.S.
MECHANISM SUPPORT	T304 S.S.

## TECHNICAL INFORMATION

MODEL NO.	FF-4250
CONNECTIONS	UNIVERSAL CONNECTOR BLOCK OR IS2 CONNECTOR OR TVS4000 CONNECTOR
"A" (DIAMETER)	2-11/16 [68]
"B" (HEIGHT)	4-7/8 [124]
"C" (OUTSIDE TO FLANGE)	3-7/8 [98]
WEIGHT	2 lbs [.9 kgs]

## DESIGN INFORMATION

MAXIMUM ALLOWABLE PRESSURE (VESSEL DESIGN)	300 psig at 500°F [21 bar at 260°C]
MAXIMUM OPERATING PRESSURE	250 psig [17.2 bar]



Dimensions Are In Inches [mm]



Product  
**TRAP**  
**FF4250**

ENGLISH

CD No.

Date

WEB  
Y | N  
X

2086

10-17-07

Rev; A SHT. 1

By; FRANZEL