

DIMENSIONS & DATA CERTIFIED FOR:

Representative:

Order:

Customer:

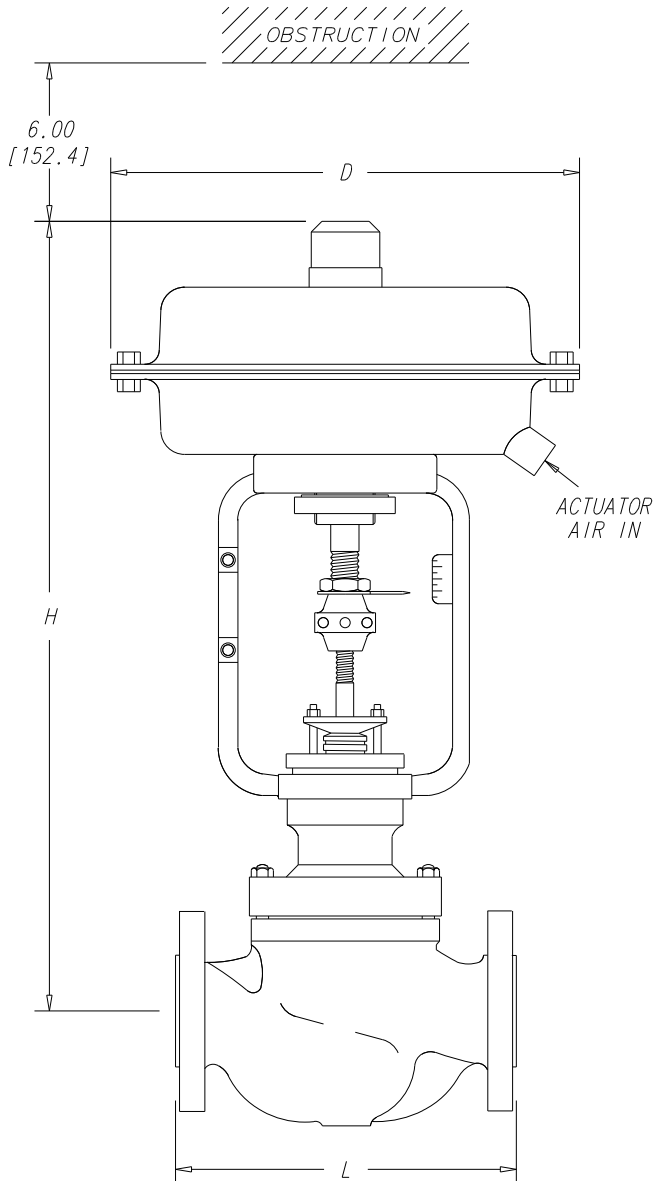
Order:

Project:

Requirements:

By:

Date:



LIST OF MATERIALS	
PART	MATERIAL
VALVE BODY	CARBON STEEL A216 GR. WCB
BONNET	CARBON STEEL A216 GR. WCB
VALVE / VALVE SEAT	STAINLESS STEEL AISI 431
VALVE STEM	STAINLESS STEEL 316
GLAND PACKING	V-TEFLON (OPTION 1) 366°F MAX. GRAFOIL (OPTION 2)
YOKE	S.G. IRON
ACTUATOR SPRING	CHROME VANADIUM SPRING STEEL
ACTUATOR DIAPHRAGM	NITRILE REINFORCED with NYLON FIBER

TECHNICAL DATA	
PLUG DESIGN	MULTI-HOLE CAGE (BALANCED)
FLOW CHARACTERISTICS	EQUAL PERCENTAGE
LEAKAGE	ANSI CLASS IV
RANGEABILITY	50:1
TRAVEL	1-1/2" [40] - 2" [50] 1.1 [28]
	2-1/2" [65] - 4" [100] 1.5 [38]
	6" [150] 2.3 [58]
MAXIMUM TEMPERATURE	450°F [232°C]
MAXIMUM PRESSURE	300 PSIG [20 bar]

Dimensions & Weights						
SIZE NPT [DN]	ANSI FLG. CLASS	L	D	H	C _v	WEIGHT lbs [kgs]
1-1/2 [40]	150#	8.75 [222.2]	11.42 [290.1]	20.28 [515.1]	24	71 [32.2]
	300#	9.25 [235.0]				90 [40.8]
2 [50]	150#	10.00 [254.0]	14.96 [380.0]	20.47 [519.9]	40	100 [45.4]
	300#	10.50 [266.7]				115 [52.2]
2-1/2 [65]	150#	10.88 [276.4]	17.64 [448.0]	25.20 [640.1]	64	120 [54.4]
	300#	11.50 [292.1]				135 [61.2]
3 [80]	150#	11.75 [298.4]	17.64 [448.0]	33.47 [850.1]	90	135 [61.2]
	300#	12.50 [317.5]				154 [69.8]
4 [100]	150#	13.88 [352.6]	17.64 [448.0]	26.38 [670.0]	160	176 [79.8]
	300#	14.50 [368.3]				220 [99.8]
6 [150]	150#	17.75 [450.8]	17.64 [448.0]	33.47 [850.1]	320	322 [146.0]
	300#	18.63 [473.2]				418 [189.6]

NOTES:

1. REDUCED TRIM C_v AVAILABLE.

Dimensions are in inches [mm]



Product ENGLISH
PYTHON 1100 SERIES CONTROL VALVE
FLANGED MULTI-HOLE CAGE GUIDED (BALANCED)

CD No.
CD2011
Rev; D

Date
4/30/07
By; Hooley

0400987