

# DIMENSIONS & DATA CERTIFIED FOR:

Representative:

Order:

Customer:

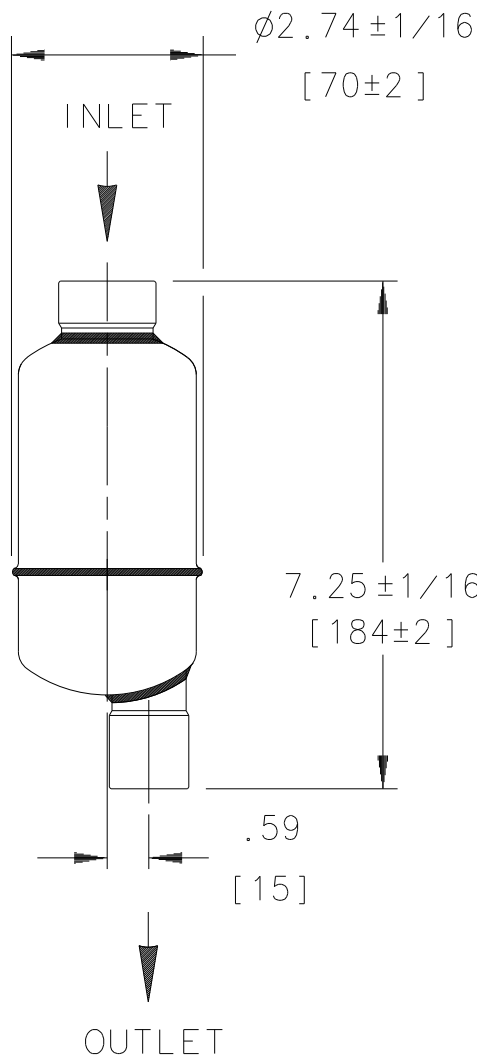
Order:

Project:

Requirements:

By:

Date:



Dimensions Are In Inches[mm]

## LIST OF MATERIALS:

NAME OF PART	MATERIAL
CAP & BODY	T304-L STN. STL.
VALVE SEAT	17-4 PH
VALVE	
LEVER ASS'Y	STAINLESS STEEL
FLOAT	

## TECHNICAL INFORMATION

WEIGHT	1-3/4 lbs [.80 kgs]
--------	---------------------

## DESIGN INFORMATION

MAXIMUM ALLOWABLE PRESSURE (VESSEL DESIGN)	500 psig at 100°F [34 bar at 38°C] 440 psig at 500°F [30 bar at 260°C]
--	---



Armstrong International, Inc.  
 Three Rivers Division  
 Three Rivers, MI 49093

**Armstrong** (269) 273-1415 Fax(269) 278-6555  
 Posted on Armstrong's homepage [www.armstronginternational.com](http://www.armstronginternational.com)

Product	CD No.	Date
11-LD NPT CONN.	1329	7/10/06
Rev; B	By; Paul G.	