

DIMENSIONS & DATA CERTIFIED FOR:

Representative:

Order:

Customer:

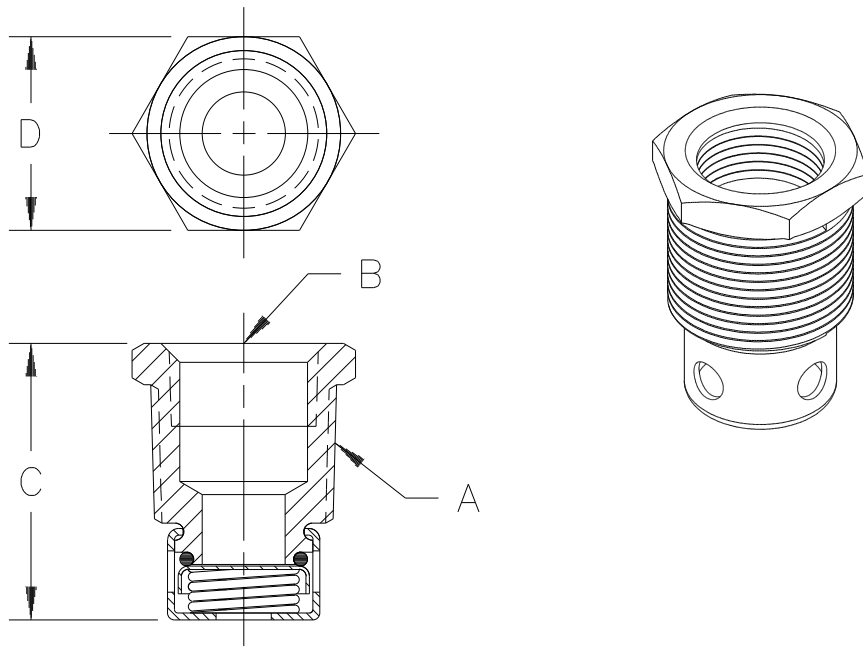
Order:

Project:

Requirements:

By:

Date:



	in	mm	in	mm
"A" PIPE CONN.	1/2 NPT	DN15	3/8 NPT	DN10
"B" PIPE CONN.	3/8 NPT	DN10	1/4 NPT	DN6
"C" HEIGHT	1-1/4	32	1-3/32	28
"D" HEX WIDTH	7/8	22	11/16	17

NAME OF PART	MATERIAL
BODY	303 STN. STL.
O'RING	EPDM
VALVE	TEFLON COATED 18-8 SS
SCREEN	18-8 STN. STL.
SPRING	302 STN. STL.

SPRING RANGES	
0.1 PSI (STANDARD)	<input type="checkbox"/>
1 PSI (OPTIONAL)	<input type="checkbox"/>

Armstrong International, Inc.
Three Rivers Division
Three Rivers, MI 49093
Armstrong (269) 273-1415 Fax(269) 273-9500
Posted on Armstrong's homepage www.armstrong-intl.com

Product	CD No.	Date
VACUUM BREAKER	1256	04/05/02
		Rev. A