

DIMENSIONS & DATA CERTIFIED FOR:

Representative:

Order:

Customer:

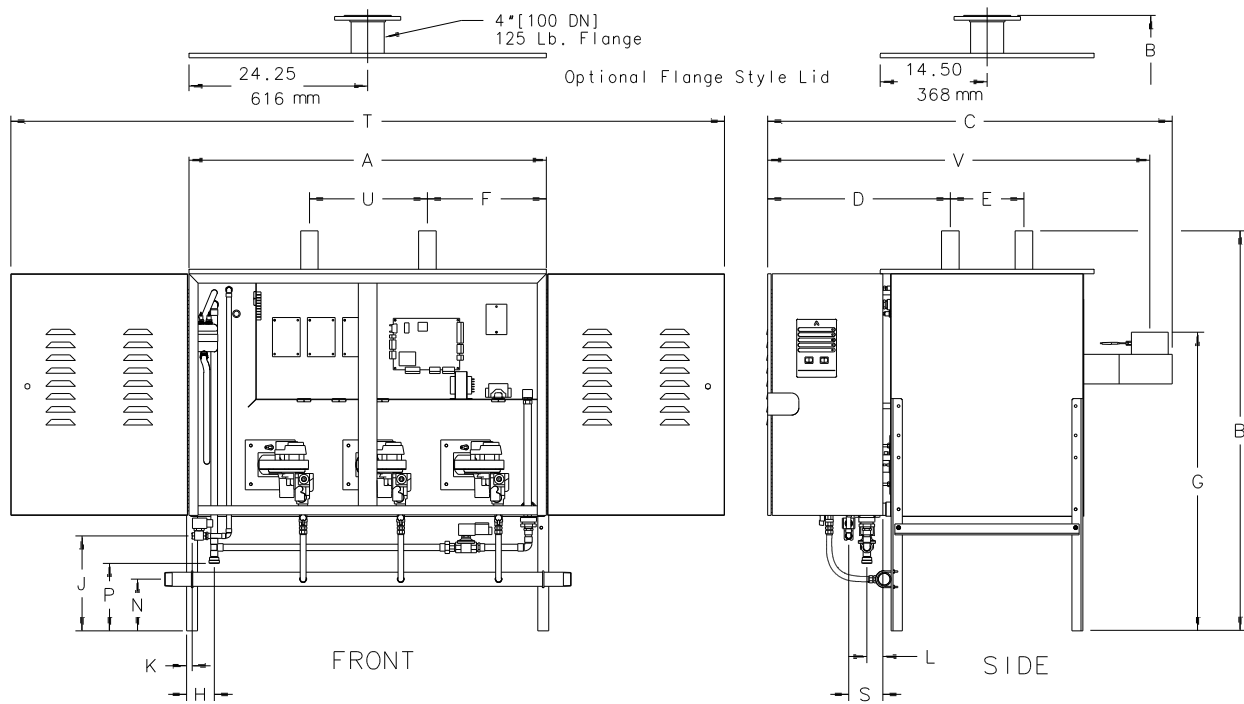
Order:

Project:

Requirements:

By:

Date:




SHOWN WITH CABINET DOOR OPEN

DIMENSIONS	in	mm
A - Tank Width	48-1/2	1232
B - Overall Height	54-3/16	1376
C - Overall Width	54-7/8	1394
D - Steam Outlet to End of Cabinet	24-13/16	630
E - Steam Outlet Spacing	10	254
F - Steam Outlet to Edge of Tank	16-1/8	410
G - Vent Outlet to Floor	40-1/2	1029
H - Drain Outlet to Edge of Tank	3-3/4	95
J - Water Inlet to Floor	12-7/8	327
K - Water Inlet to edge of Tank	3/4	20
L - Drain Outlet to Edge of Tank	2-1/8	54
N - Gas Inlet to Floor	7	178
P - Drain Outlet to Floor	9-1/8	232
S - Water Inlet to Edge of Tank	4-5/8	117
T - Cabinet Opening Clearance	96-13/16	2459
U - Steam Outlet Spacing	16	406
V - Vent Outlet to Front of Cabinet	51-7/8	1317
Water Inlet	3/8" NPT	10
Drain Connection	3/4"	20
Gas Inlet	1-1/2 NPT	40
Vent Size	5"	127
Steam Outlets	2-3/8" OD / 4" Flg.	

MATERIAL LIST	
Cabinet/Finish	16 GA. STL./Powder Coated Epoxy Enamel
Tank/Heat Exchanger	304 Stn. Stl.
* Ionic Bed Module	Inert Fiber
* Ionic Bed Frame	304 Stn. Stl.
Hose Cuffs	EPDM Rubber
Dispersion Tube	18-8 Stn. Stl.
Tank Gasket	Closed Cell Silicone
Insulation	Foiled Fiberglass

* Not Used In DI/RO Applications



Armstrong International, Inc.
Three Rivers Division
Three Rivers, MI 49093
Armstrong (269) 273-1415 Fax(269) 273-9500
Posted on Armstrong's homepage www.armstrong-intl.com

Product	CD No.	Date
GAS FIRED HUMIDICLEAN GFH-450	1255	6/29/06
	Sht. 1	Rev. C