

DIMENSIONS & DATA CERTIFIED FOR:

Representative:

Order:

Customer:

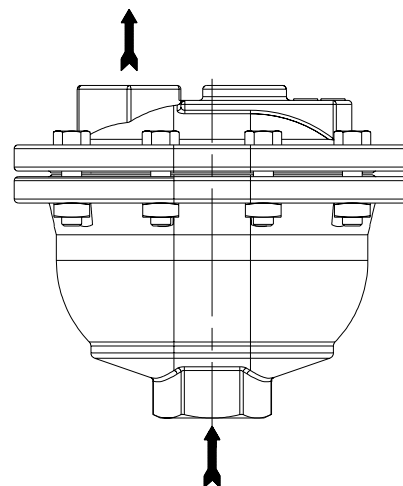
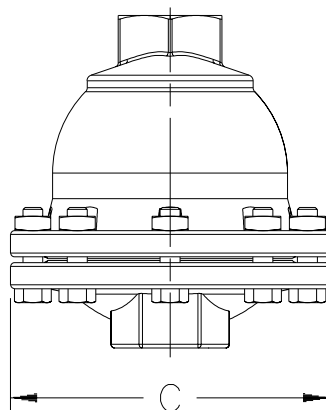
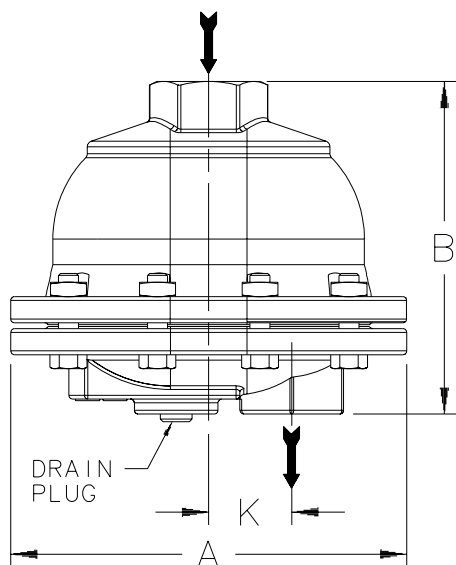
Order:

Project:

Requirements:

By:

Date:



ORIENTATION
FOR 21-AR

ORIENTATION
FOR 21-LD

MODEL NO.	21-LD, 21-AR
PIPE CONNECTIONS:	1/2, 3/4
"A"	6-3/16 [157]
"B"	5-1/4 [133]
"C"	5 [127]
"K"	1-5/16 [33.3]
WEIGHT	9 lbs [4.1 kgs]
DRAIN PLUG	1/4 (1/2 Optional)
MAXIMUM ALLOWABLE PRESSURE (VESSEL DESIGN)	400 psig AT 100°F 28 bar AT 38°C

NAME OF PART	MATERIAL
BODY & CAP	ASTM A351 GR. CF8M
LEVERAGE ASS'Y	STAINLESS STEEL
FLOAT	STAINLESS STEEL
GASKET	FLEXIBLE GRAPHITE
VALVE & VALVE SEAT (21-LD)	STAINLESS STEEL
VALVE & VALVE SEAT (21-AR)	STN. STL. W/VITON INSERT
BOLTING	ASTM A193 GR. B7

NOTES:

1. AVAILABLE IN NPT OR BSPT CONNECTIONS.
2. DIMENSIONS IN INCHES [mm]


 Armstrong International, Inc.
 Three Rivers Division
 Three Rivers, MI 49093
Armstrong (616) 273-1415 Fax(616) 273-9500
 Posted on Armstrong's homepage www.armstrong-intl.com

Product	CD No.	Date
TRAP 21-LD/21-AR 316 STN. STL.	1248	10/30/01
		Rev. A